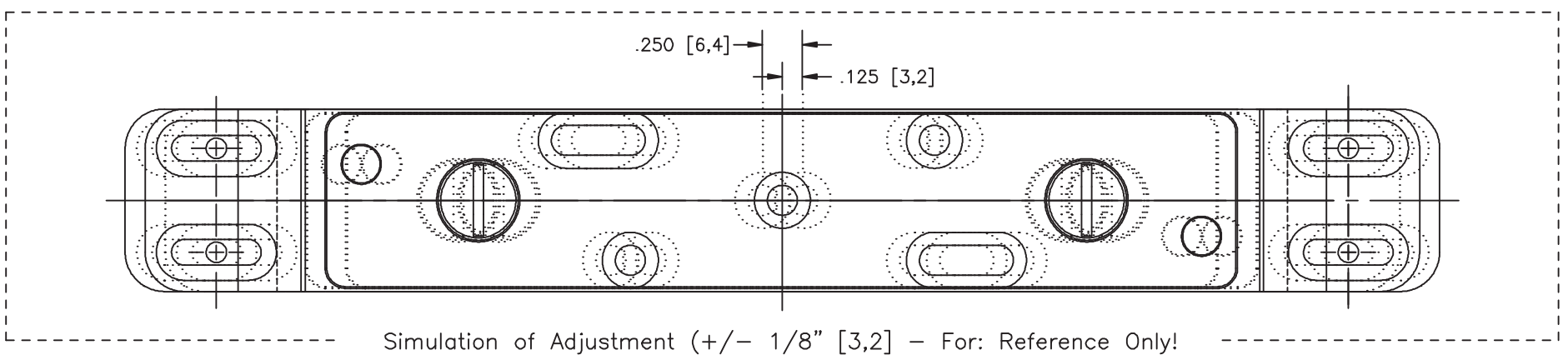
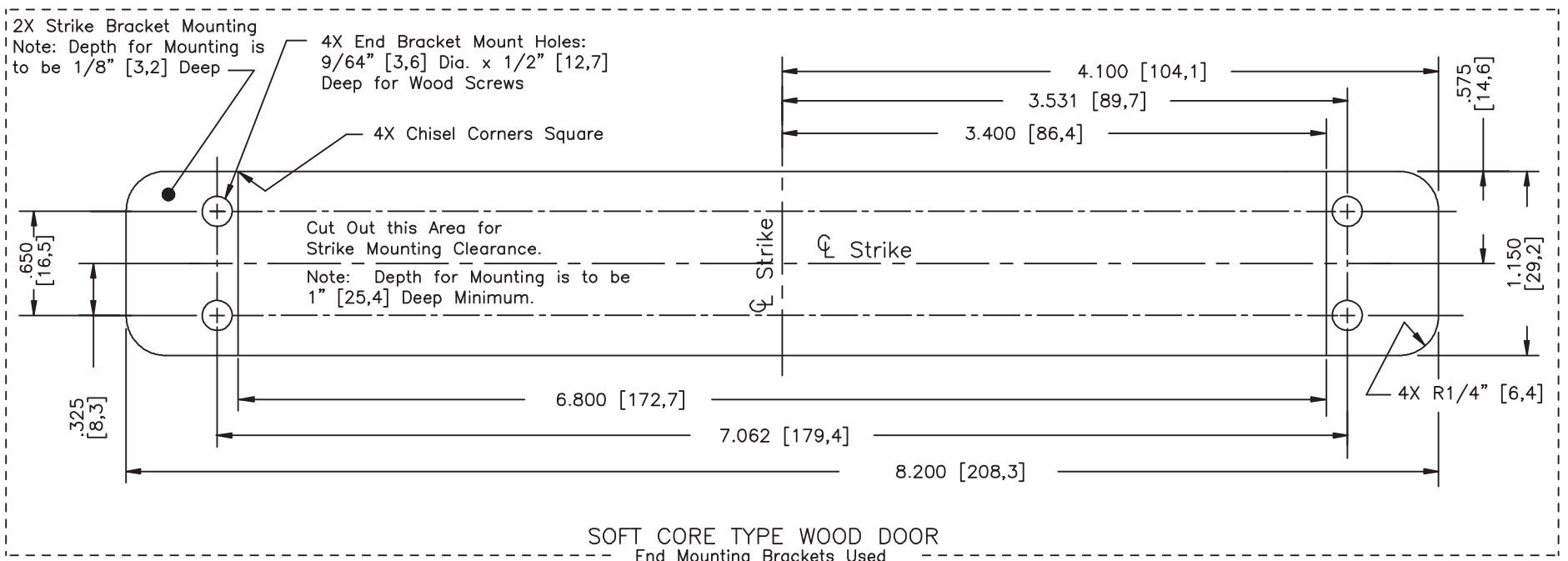
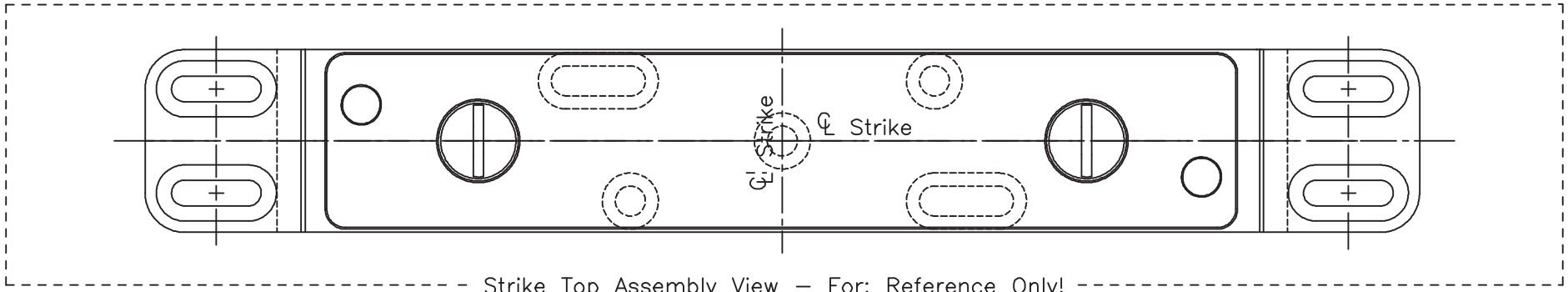
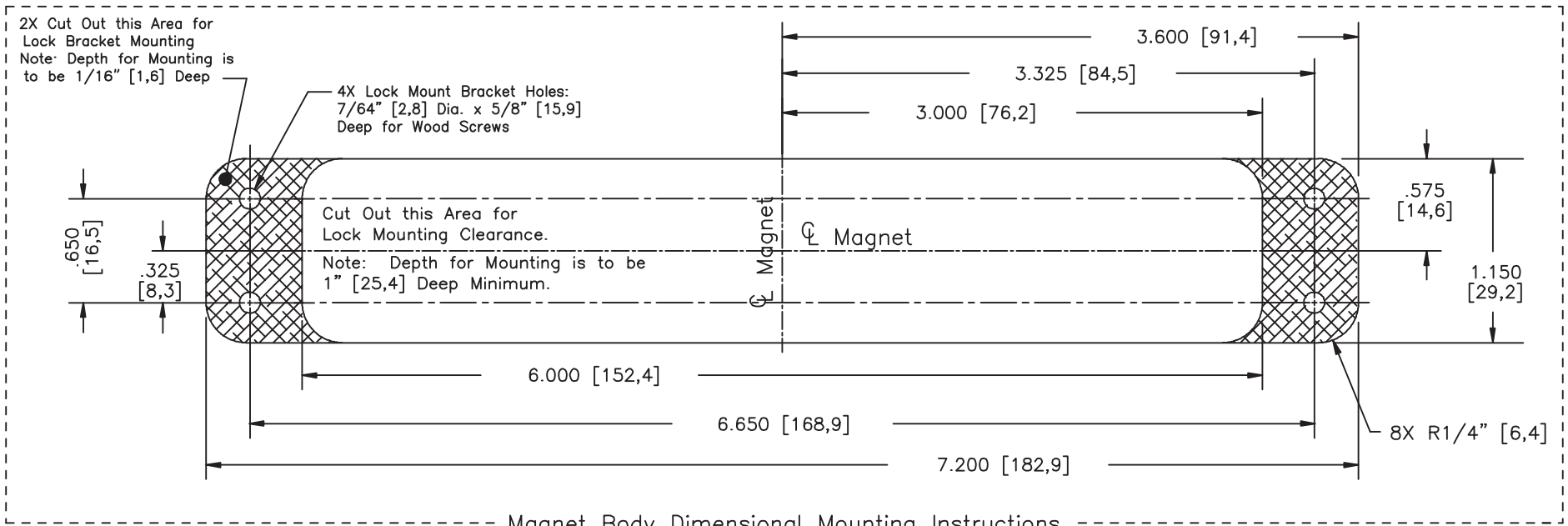
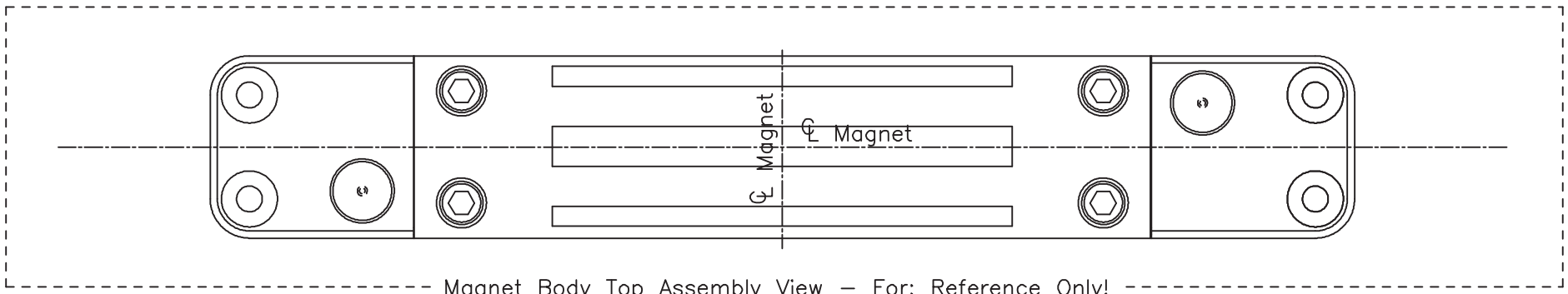


Template for SAM2R Series – Magnalock and Strike Assembly



DIMENSIONS WITHIN BRACKETS [XX,X] REPRESENT METRIC MEASUREMENT IN MILLIMETERS