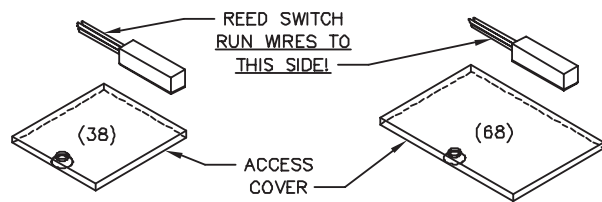
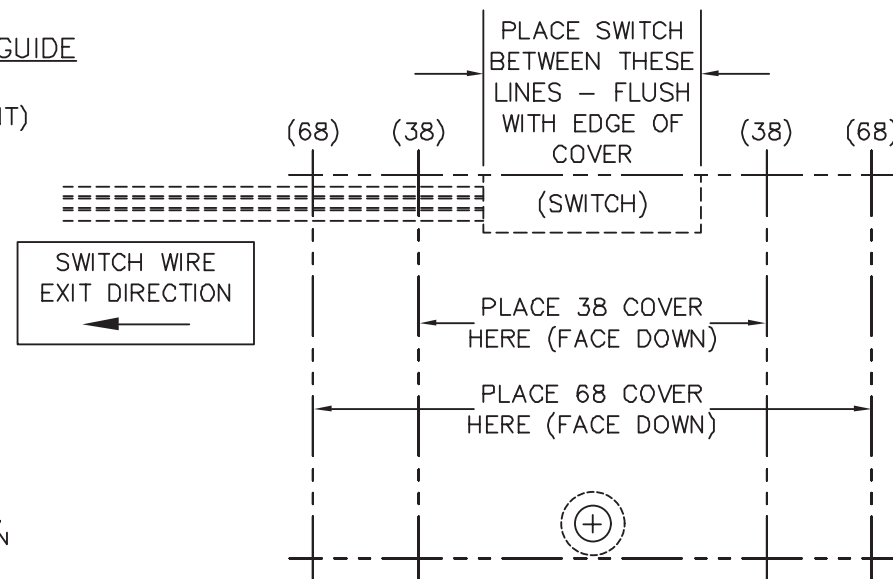


REED SWITCH (P/N 100-13930) INSTALLATION GUIDE
(FOR 38/68 ACCESS COVER)
(USE FOR FIELD UPGRADE OR SWITCH REPLACEMENT)



1. PLACE 38 OR 68 ACCESS COVER ON TOP OF GUIDE FACE DOWN.
2. ALIGN EDGES OF ACCESS COVER WITH LINES DESIGNATED ON GUIDE FOR 38 OR 68 MODEL.
3. REMOVE THE BACKING FROM ADHESIVE STRIP ON THE REED SWITCH, ORIENT WIRES TO SIDE INDICATED ON THE TEMPLATE, THEN POSITION AND AFFIX SWITCH TO COVER.



DO NOT PHOTOCOPY TEMPLATE
(dimensions will change)

INSTALLATION TEMPLATE
FOR 38D & 68D SERIES
DOOR POSITION LOCK
COMPONENTS
(INSTALLATION OR UPGRADE)

SECURITRON
ASSA ABLOY

P/N 500-61050-D.