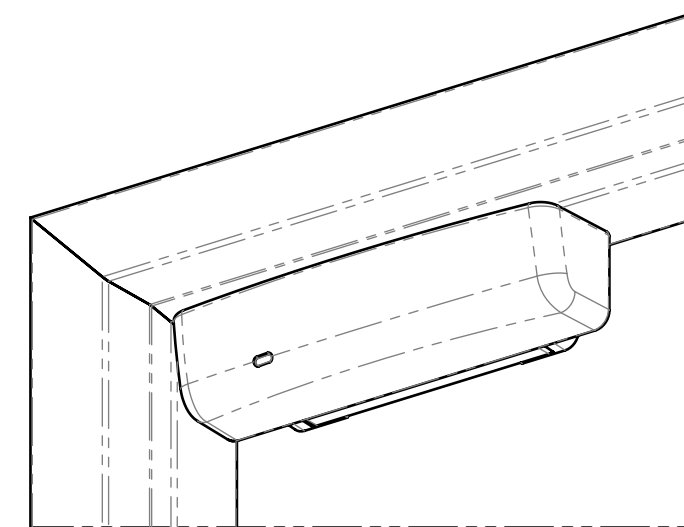


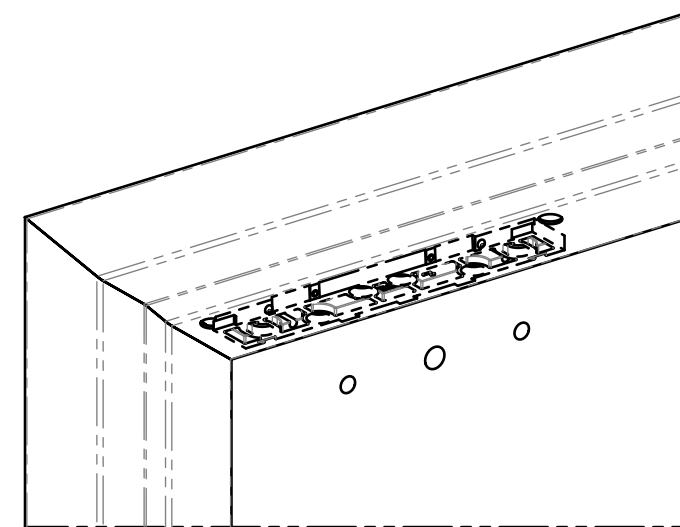
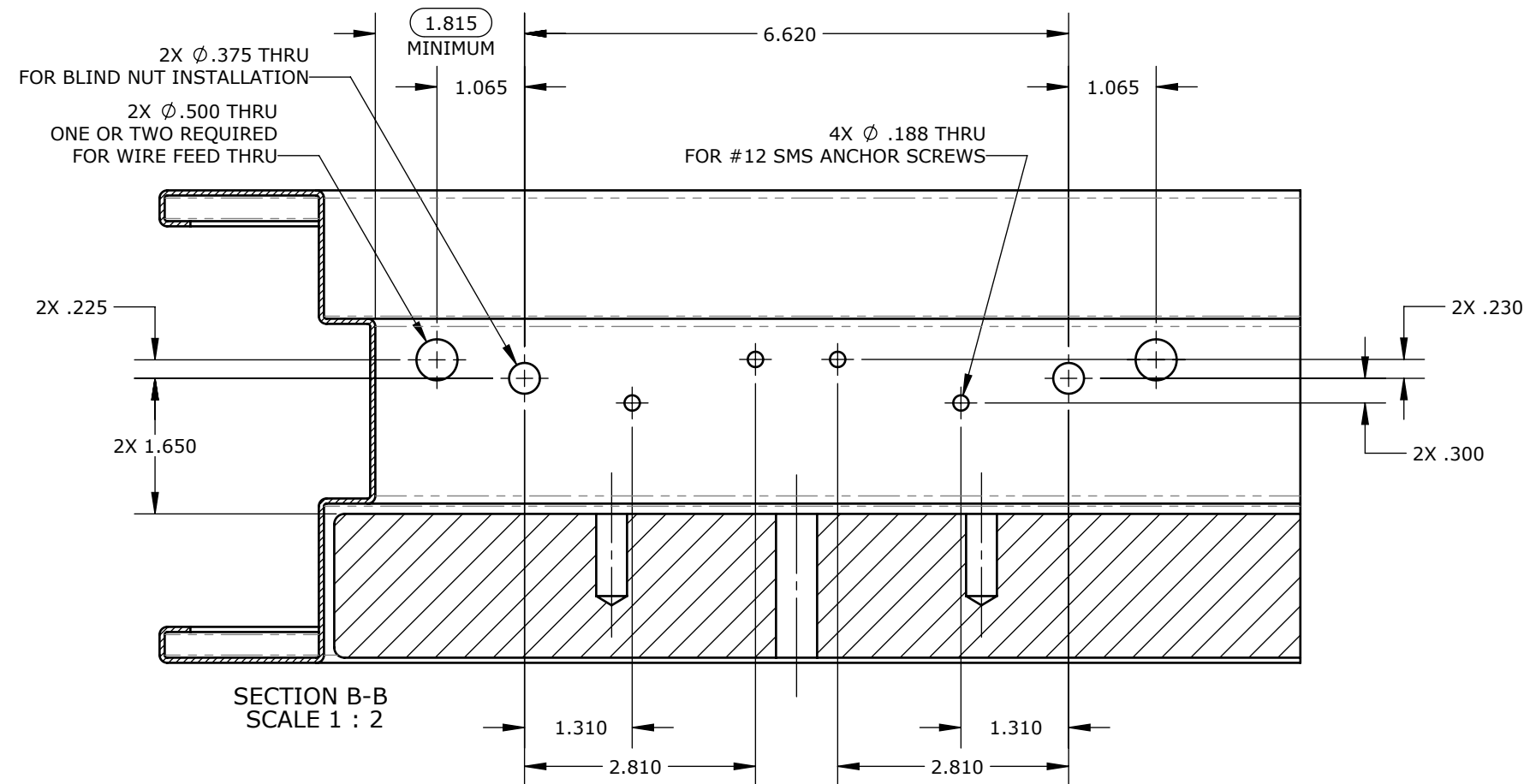
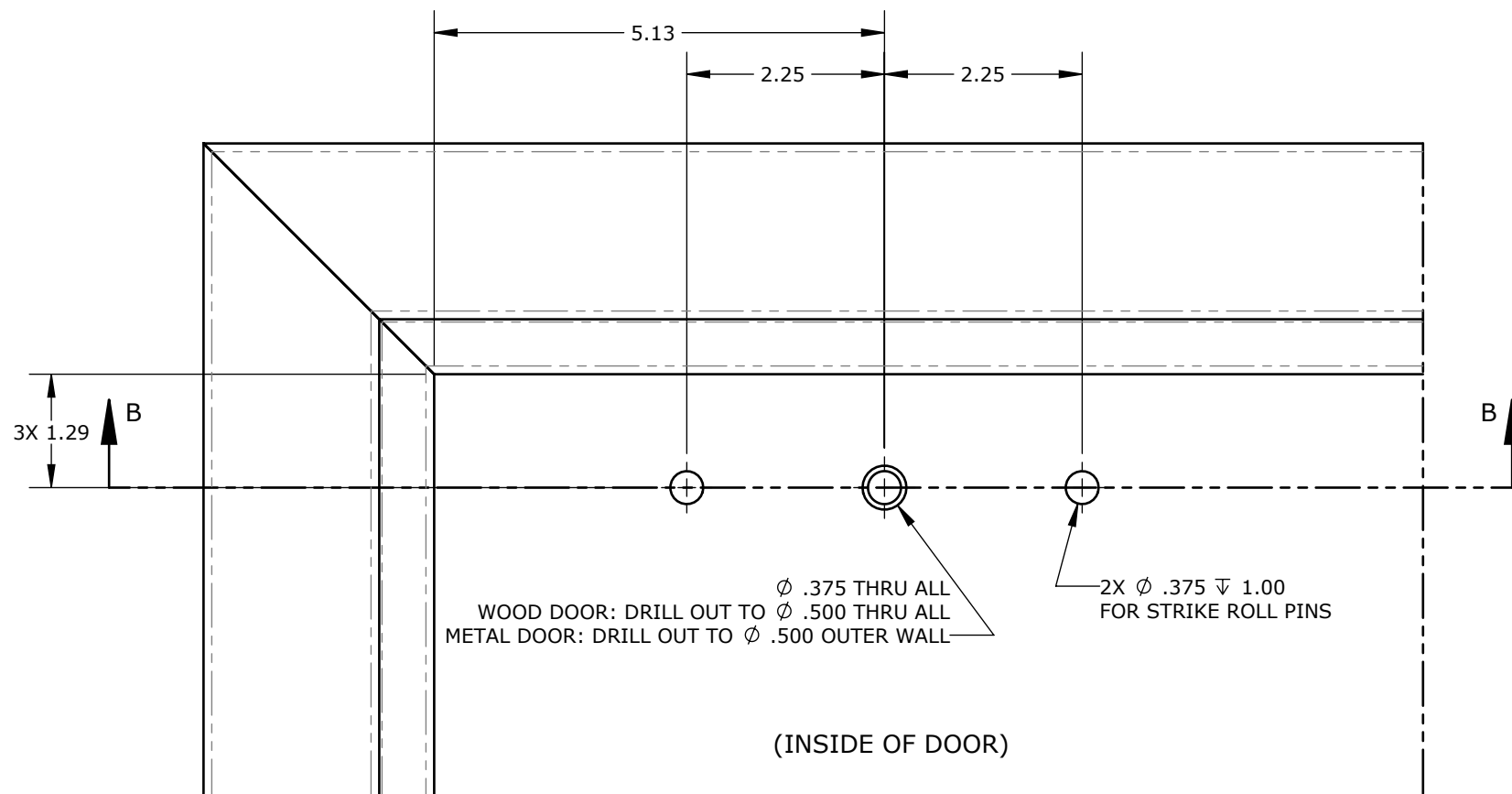
SECTION A-A
SCALE 1 : 2



RIGHT HAND / LEFT HAND REVERSE DOOR SHOWN

REVERSE DIMENSIONAL REFERENCE FOR
LEFT HAND / RIGHT HAND REVERSE DOORS

UNLESS OTHERWISE SPECIFIED DIMENSIONS ARE IN INCHES TOLERANCES ARE: FRACTIONAL ±1/32 ANGLES ±1° .XX ±.01 .XXX ±.005 BENDS ARE 90°±1°				PHOENIX, AZ P: 1-800-624-5625 F: 1-623-582-4641	SECURITRON™ ASSA ABLOY
				TITLE DOOR PREP FOR M370/M380 MAGNALOCK	
DO NOT SCALE DRAWING INTERPRET PER ASME Y14.5M-2009	THIS DOCUMENT IS THE CONFIDENTIAL PROPERTY OF SECURITRON AND IS LOANED SUBJECT TO RETURN UPON DEMAND. TITLE TO THIS DOCUMENT IS NEVER SOLD OR TRANSFERRED FOR ANY REASON. THIS DOCUMENT IS TO BE USED ONLY PURSUANT TO WRITTEN LICENSE OR WRITTEN INSTRUCTIONS OF SECURITRON. ALL RIGHTS TO DESIGN AND INVENTIONS ARE RESERVED BY SECURITRON, POSSESSION OF THE DOCUMENT IS ACCEPTED SUBJECT TO THE FOREGOING. © SECURITRON 2013	SIZE B	DWG NO. 4084507.002	REV. A	SHEET 1 OF 3



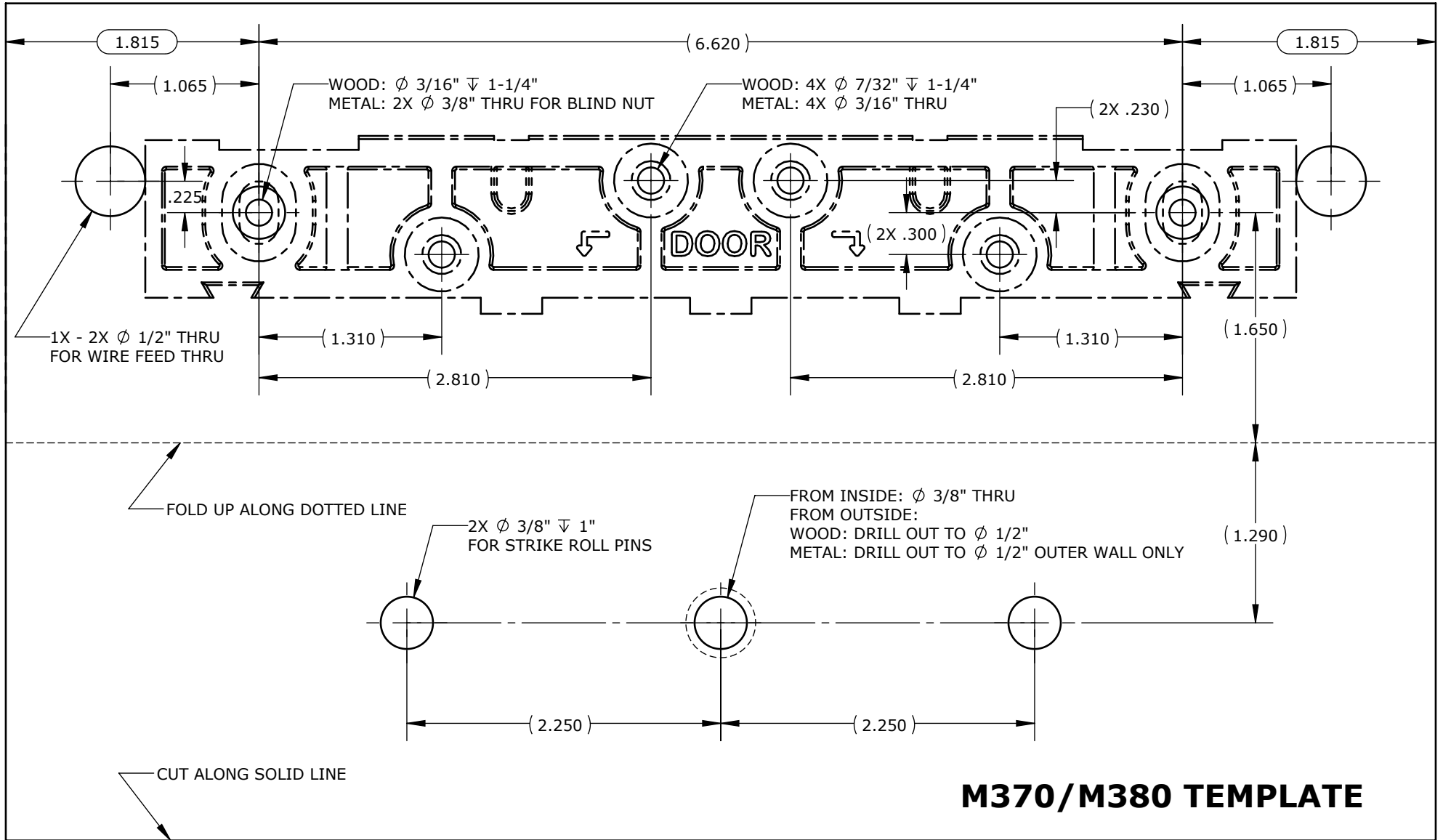
RIGHT HAND / LEFT HAND REVERSE DOOR SHOWN

REVERSE DIMENSIONAL REFERENCE FOR
LEFT HAND / RIGHT HAND REVERSE DOORS

UNLESS OTHERWISE SPECIFIED
DIMENSIONS ARE IN INCHES
TOLERANCES ARE:
FRACTIONAL $\pm 1/32$
ANGLES $\pm 1^\circ$
.XX $\pm .01$
.XXX $\pm .005$
BENDS ARE $90^\circ \pm 1^\circ$

THIS DOCUMENT IS THE CONFIDENTIAL PROPERTY OF SECURITRON
AND IS LOANED SUBJECT TO RETURN UPON DEMAND. TITLE TO THIS
DOCUMENT IS NEVER SOLD OR TRANSFERRED FOR ANY REASON.
THIS DOCUMENT IS TO BE USED ONLY PURSUANT TO WRITTEN
LICENSE OR WRITTEN INSTRUCTIONS OF SECURITRON. ALL RIGHTS
TO DESIGN AND INVENTIONS ARE RESERVED BY SECURITRON,
POSSESSION OF THE DOCUMENT IS ACCEPTED SUBJECT TO THE
FOREGOING. © SECURITRON 2013

SIZE B	DWG. NO. 4084507.002	REV. A
SCALE: 1:2	PRINT DATE	SHEET 2 OF 3



WARNING: PRINTING/COPYING OF THIS TEMPLATE FROM ELECTRONIC (PDF) FORMAT TO PAPER MAY AFFECT SCALE. THIS TEMPLATE IS CONFIGURED FOR "A" SIZE PAPER SHEET (8-1/2" X 11"). THE SCALE OF ANY HARD COPY SHOULD BE VERIFIED PRIOR TO USE!

SIZE A	DWG. NO.	4084507.002	REV. A
SCALE: 1:1			SHEET 3 OF 3