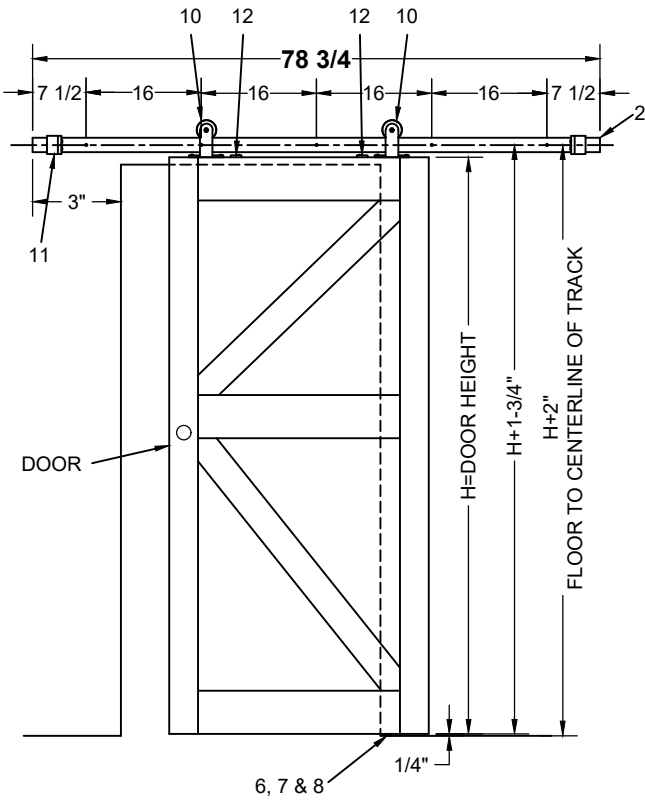


SDS-1000 SLIDING DOOR TRACK SYSTEM

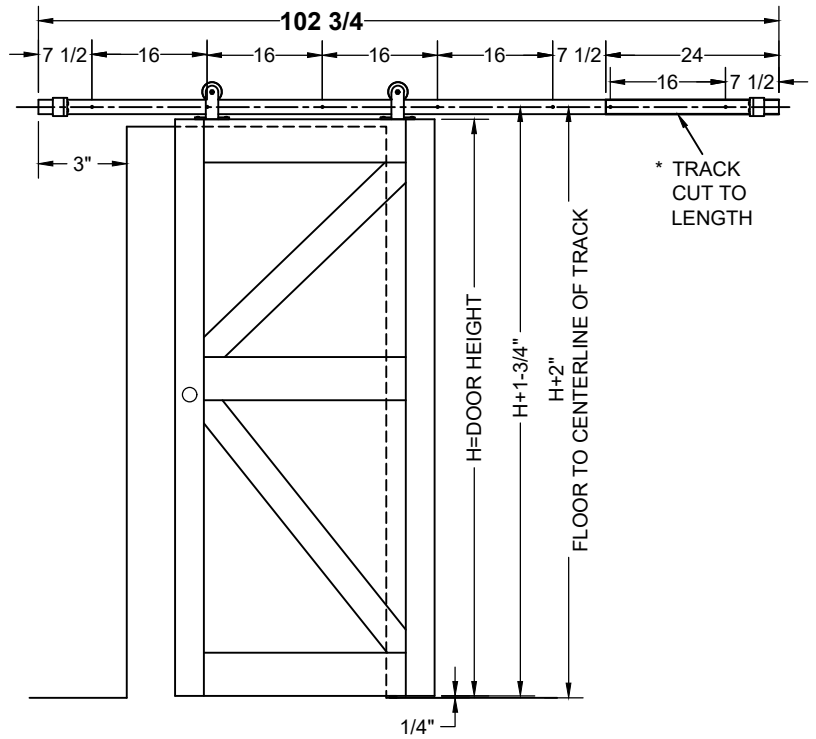
SDS-1060

(for 36" Opening)

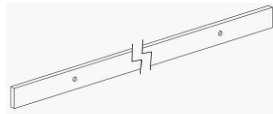


SDS-1080

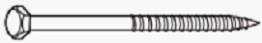
(for 48" Opening)



ITEM 1



ITEM 2



ITEM 3



ITEM 4



ITEM 5



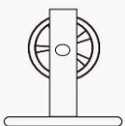
ITEM 7



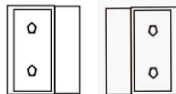
ITEM 6



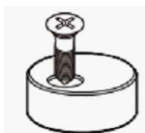
ITEM 8



ITEM 10



ITEM 11

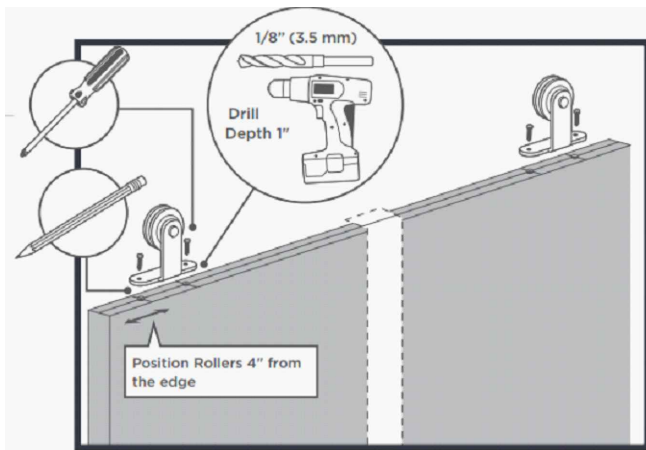


ITEM 12

INCLUDED COMPONENTS

ITEM	QTY.	ITEM DESCRIPTION
1	5	WALL SPACER
2	2	*78-3/4" TRACKS
3	5	5/16" x 3-1/2" TRACK MOUNT LAG BOLTS FOR DRYWALL INSTALLATION
4	5	5/16" x 2-3/8" CARRIAGE BOLTS FOR TRACK
5	5	5/16" x 1-1/8" WALL ANCHORS FOR TRACK
6	1	FLOOR MOUNTED SLIDING DOOR GUIDE
7	2	#8 X 1" SLIDING DOOR GUIDE SCREWS
8	2	1/4" FLOOR ANCHOR
9	1	ALLEN WRENCH
10	2	TOP MOUNT ROLLER W/ MOUNTING HARDWARE
11	2	TRACK STOPS
12	2	ANTI-JUMP BLOCK

SDS-1000 SLIDING DOOR TRACK SYSTEM



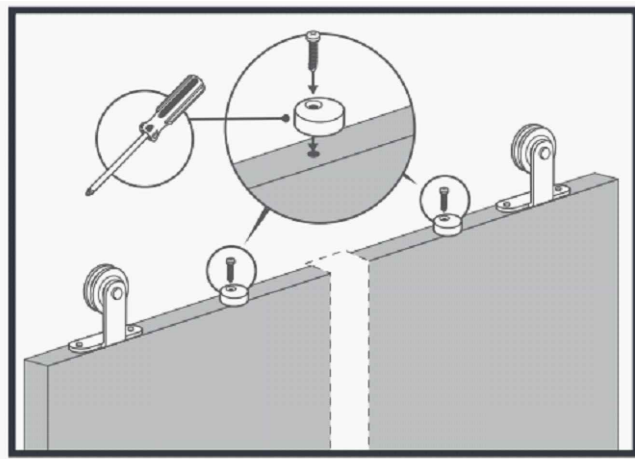
Step 1

Attach Top Rollers to Door

Position each roller 4" from the edge of the door and using 1/8" drill bit, drill pilot holes in door for the Top Mount Rollers (**ITEM 10**) screws. Ensure pilot holes are centered in door thickness.

STEP 2

Mount Top Mount Rollers (**ITEM 10**) to Door using provided screws.

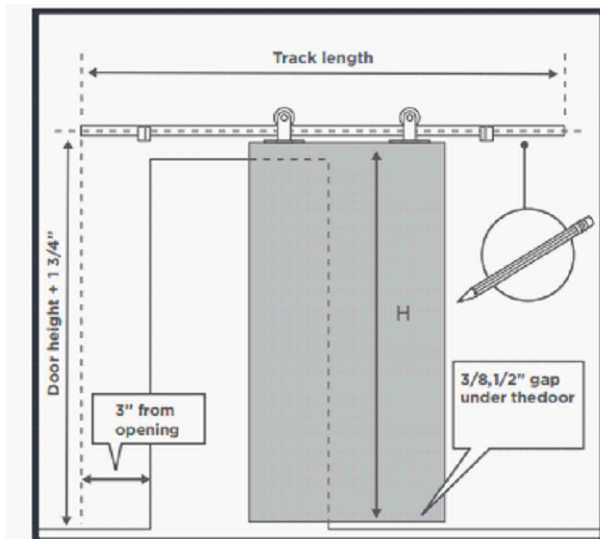


STEP 3

Install the Anti-Jump Block

Position each anti-jump block (**ITEM 12**) at least 1" from the inside edge of the rollers.

The hole for the anti-jump blocks should be offset from the center of the door so the block can be rotated out of the way to be able to hang the door on the track.



STEP 4

Concrete Wall Installation

Find the center line position of the track by adding 1-3/4" to the door height and measuring up from the floor. Mark with a pencil.

To find end location of the track, measure 3" over from opening. Mark with a pencil.

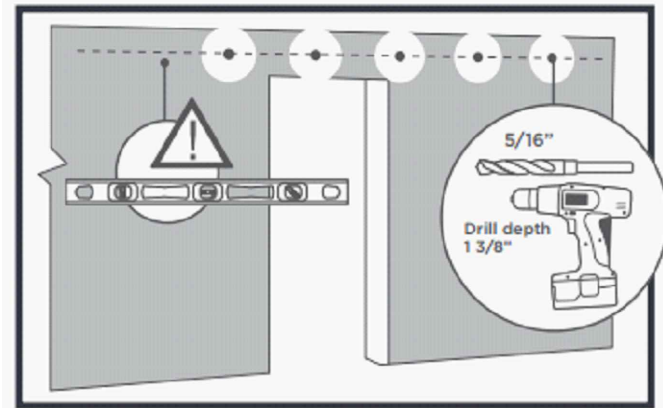
SDS-1000 SLIDING DOOR TRACK SYSTEM

STEP 5

Concrete Wall Preparation

Using a level and track as a template, mark screw locations on wall. Predrill the concrete at marked location using 5/16" masonry drill bit. Remove wall anchors (**ITEM 5**) and install into holes using a hammer.

INSTALLATION TIP: Locate and temporarily install track with one end bolt without spacer. This will hold one end of the track up so you can move the free end to ensure the track will be level then proceed to mark the other locations of mounting holes.



STEP 5A

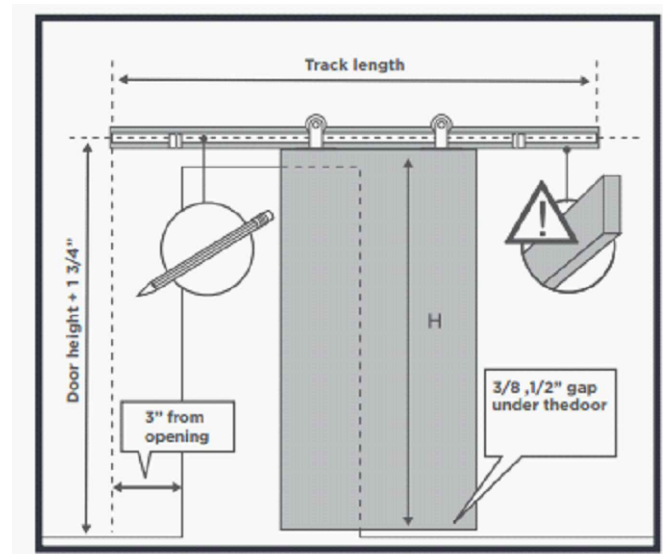
Dry Wall Preparation

When installing on drywall or plaster, a 1x4 wood board (not provided) must first be fastened to the structural wall members (studs) behind the drywall before mounting the track.

Find the center line position of the track by adding 1-3/4" to the door height and measuring up from the floor. Mark with a pencil.

To find end location of the track, measure 3" over from opening. Mark with a pencil.

Mounting board to have same center as track. End of mounting board may vary from track end.

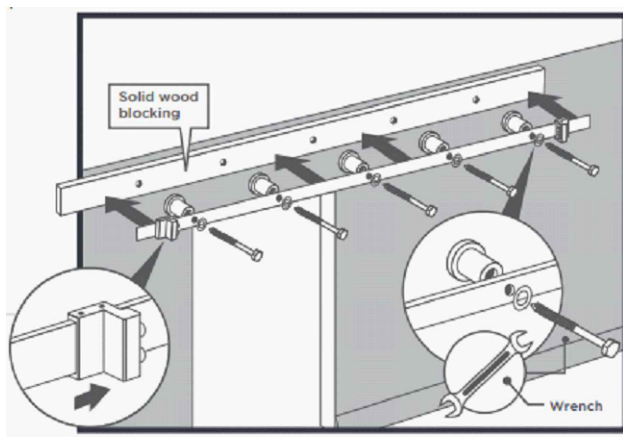


STEP 6

Secure Track

Position the track in place using the marks in previous step. Ensuring it is level and attach the track (**ITEM 2**) to wall using wall spacers (**ITEM 1**) and fasteners (**ITEM 3 or 4**). Then slide the track stops (**ITEM 11**) onto track ends. Do not tighten stops at this time.

*Solid Wood Blocking only for Dry Wall Installation



SDS-1000 SLIDING DOOR TRACK SYSTEM

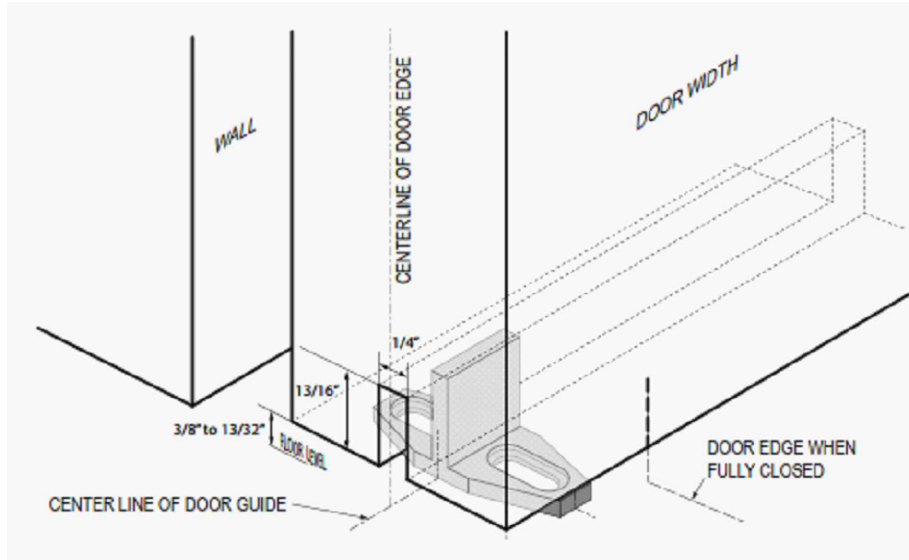
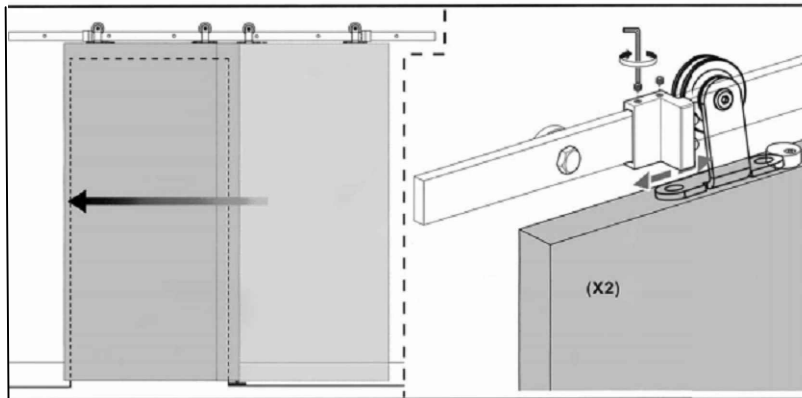


FIG. 1

STEP 7

Install Door Guide to floor

- Route door (**FIG. 1**)
- Locate center line of guide (**ITEM 6**).
- Using door guide as a template, position and mark screw locations.
- Drill pilot holes for anchors using 5/16" drill bit.
- Mount guide (**ITEM 6**) to floor with screws (**ITEM 7**) and anchors (**ITEM 8**)



STEP 8

Hang door

- Lift door onto track.
- Routed bottom of door will receive floor mounted guide.
- Adjust stops accordingly. Tighten set screws with Allen Wrench (**ITEM 9**). Start with bottom set screws then move to top set screws with sufficient force to drive set screws into bar after final adjustment.
- Test Door