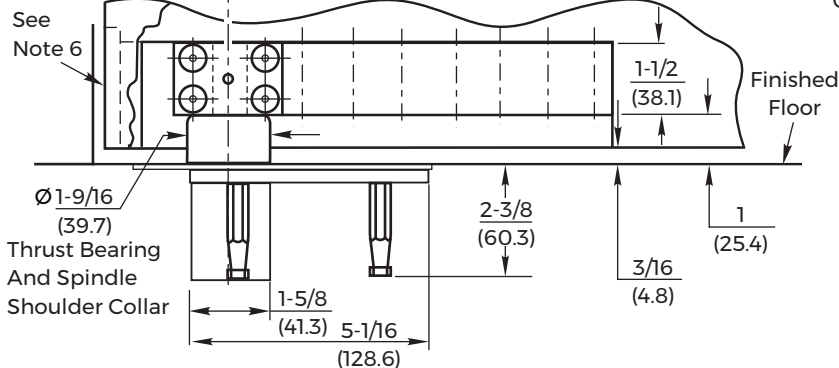
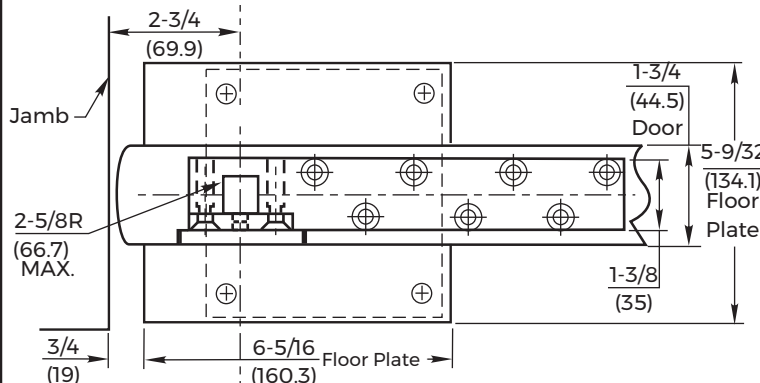
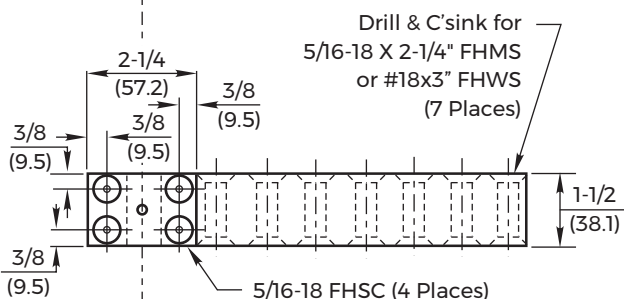
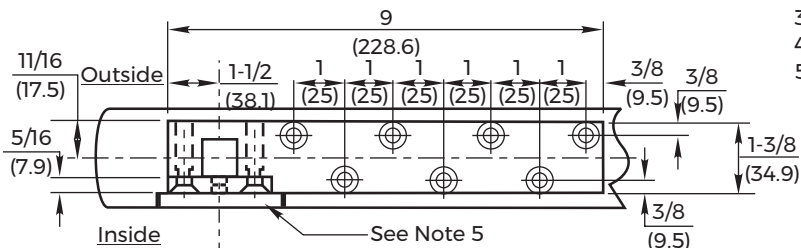


587 ARM (NON-HANDED)

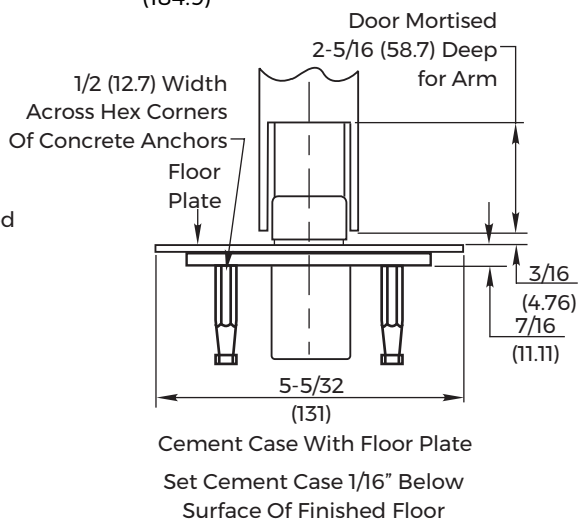
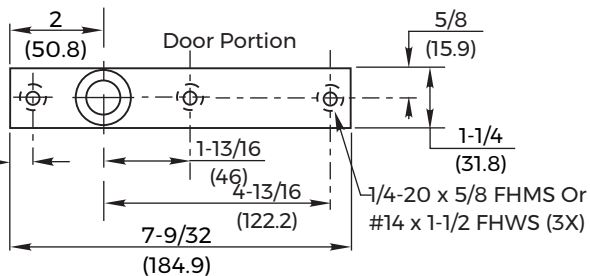
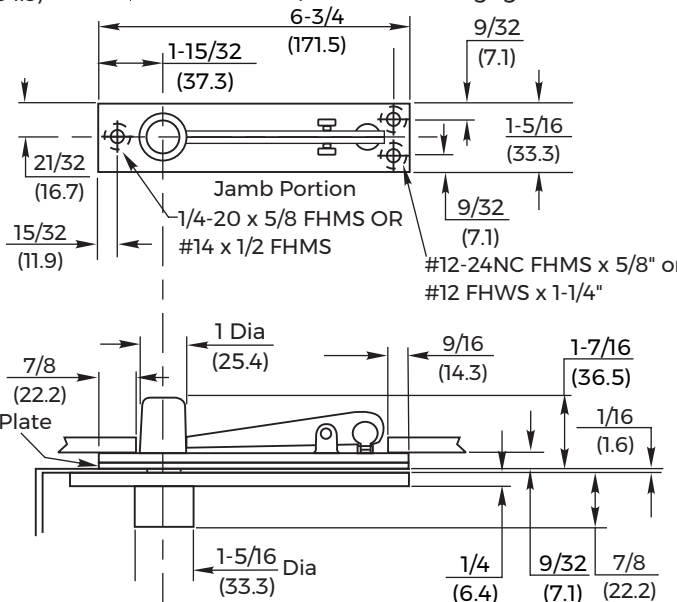
NOTES:

1. Do not scale drawing.
2. Dimensions given in inches (mm).
3. Suitable reinforcing by others.
4. Norton Rixson Designed Threshold Available On Request
5. Door must have removable panel to allow tightening of arm (by others). Panel must be on inside of door.



H340 Top Pivot

Shown With 11/16" Dia. Pin Engaged



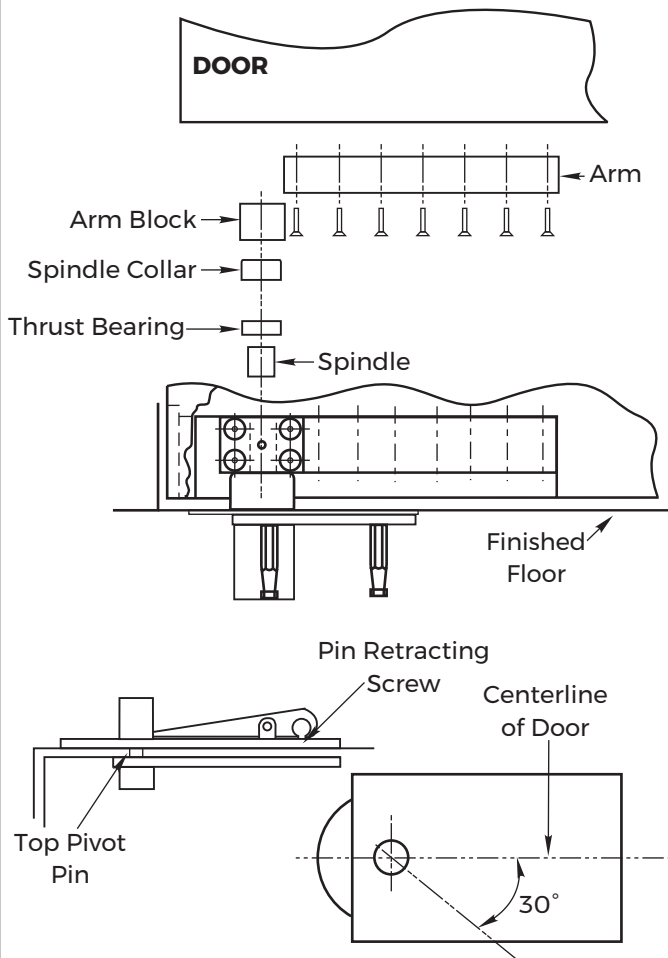
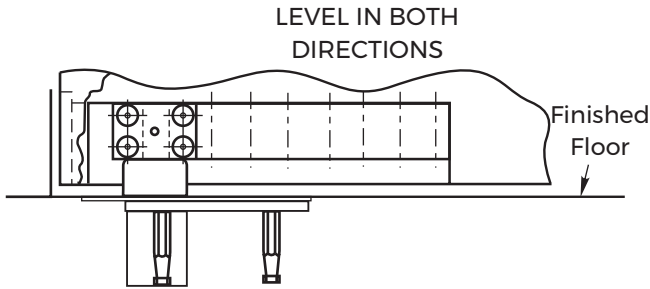
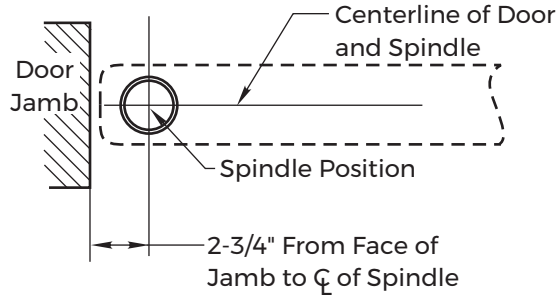
H117-3/4 Pivot Set x 587 Arm
for Heavy Doors
Center Hung

Approved 2024-06-06



TEMPLATE NUMBER	REV	DATE
IS-H117-3/4x587	3	05/24

H117-3/4 Pivot Set x 587 Arm



1. Locate Pivot

- A. Measure 2-3/4" out from door jamb on centerline of door. This is the location of the spindle center.

2. Install Cement Case in Floor

- A. For floor plate application: Cement case is set 1/16" (1.6mm) below floor level.
- B. For threshold application: Cement case is set flush with floor.
- C. Set cement case in floor and block in position.
- D. Case should be parallel with center line of door.
- E. CEMENT CASE SHOULD BE LEVEL.
- F. Grout in cement case.

3. Install Pivot and Arm

- A. Install top pivot in door per template.
- B. Install top pivot in jamb per template.
- C. Centerline of pivot pin should line up with centerline of spindle. Use plumb line to assure accuracy.
- D. Mortise door for arm.
- E. Install arm in bottom of door.

4. Hang Door

- A. Retract top pivot pin by turning retracting pin screw counterclockwise.
- B. Slide door on spindle. Attach arm cap but do not tighten.
- C. Line up two portions of top pivot and turn pin retracting screw clockwise.
- D. Tighten arm end block screws.
- E. Drill and tap for #8-32 machine screw, centered (screw by others).

H117-3/4 Pivot Set x 587 Arm for Heavy Doors Center Hung

Approved 2024-06-06



TEMPLATE NUMBER	REV	DATE
IS-H117-3/4x587	3	05/24