

**Notes:**

1. Do not scale drawing.
2. Suitable reinforcement by others.
3. Full glass or Herculite doors by others.
4. 3/16" (4.8) vertical adjustment.
5. Dimensions given in inches (mm).
6. Pivot does not return the door to center.

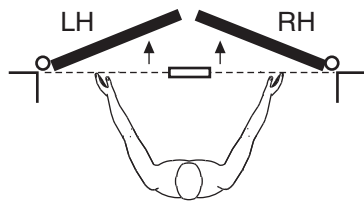
**178 Pivot Set**  
**Center Hung – Non Handed**  
**74210 Top Pivot – Non Handed**  
**Patch Fitting Installation**

**RIXSON®**  
**ASSA ABLOY**

www.rixson.com

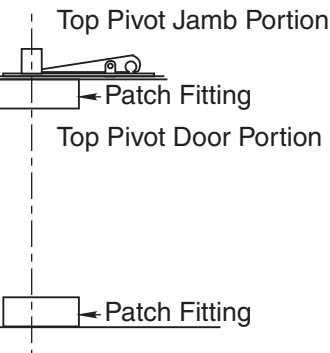
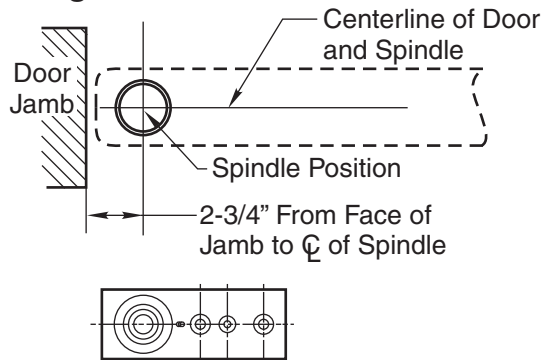
TEMPLATE NUMBER	REV	DATE
IS-178	3	05-24

### How To Determine Hand of Door



Face a door swinging open away from you. If it opens to the right, it is right hand. If it opens to the left, it is left hand.

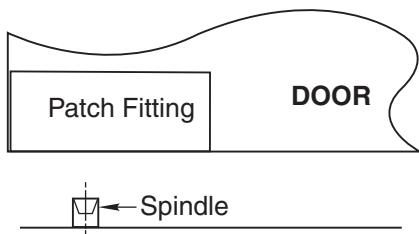
### 1. Locating Closer



**IMPORTANT:**

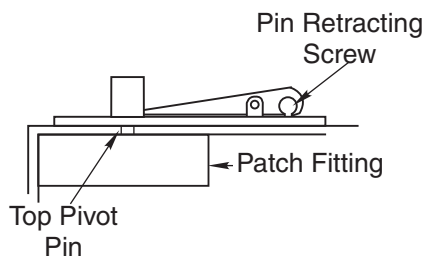
Use plumb line to make sure that center line of top pivot pin lines up with center line of closer spindle.

### 2. Install Pivot



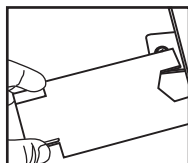
- A. Measure 2-3/4" out from door jamb on centerline of door. This is the location of the spindle center.
- B. Affix pivot with screws provided.

### 3. Hang Door



- A. Install patch fittings (top & bottom) into door per template.
- B. Install top pivot in jamb per template.
- C. Centerline of pivot pin should line up with centerline of spindle. Use plumb line to assure accuracy.

### 4. Adjust Bottom Door Pivot



- A. Retract top pivot pin by turning retracting pin screw counterclockwise. (see illustration)
- B. Using wrench, turn until arm is in 30° open position. (see illustration)
- C. Set door on bottom pivot.
- D. Align jamb portion of the pivot with top patch and turn pin retracting screw clockwise.

**178 Pivot Set  
 Center Hung – Non Handed  
 74210 Top Pivot – Non Handed  
 Patch Fitting Installation**

**RIXSON<sup>®</sup>**  
**ASSA ABLOY**

www.rixon.com

TEMPLATE NUMBER	REV	DATE
IS-178	3	05-24