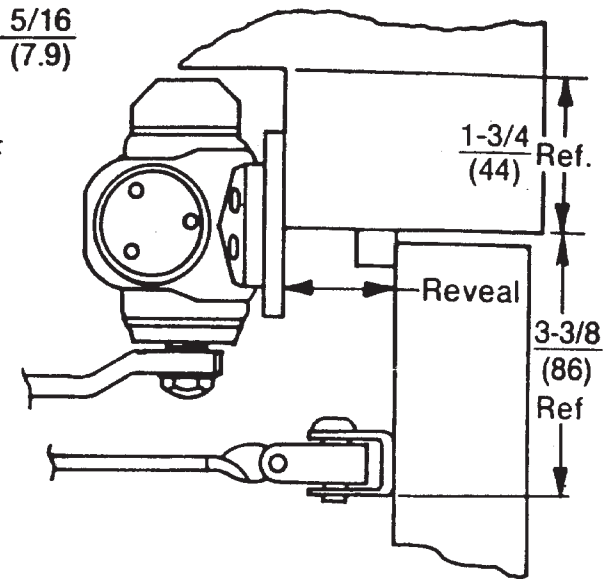
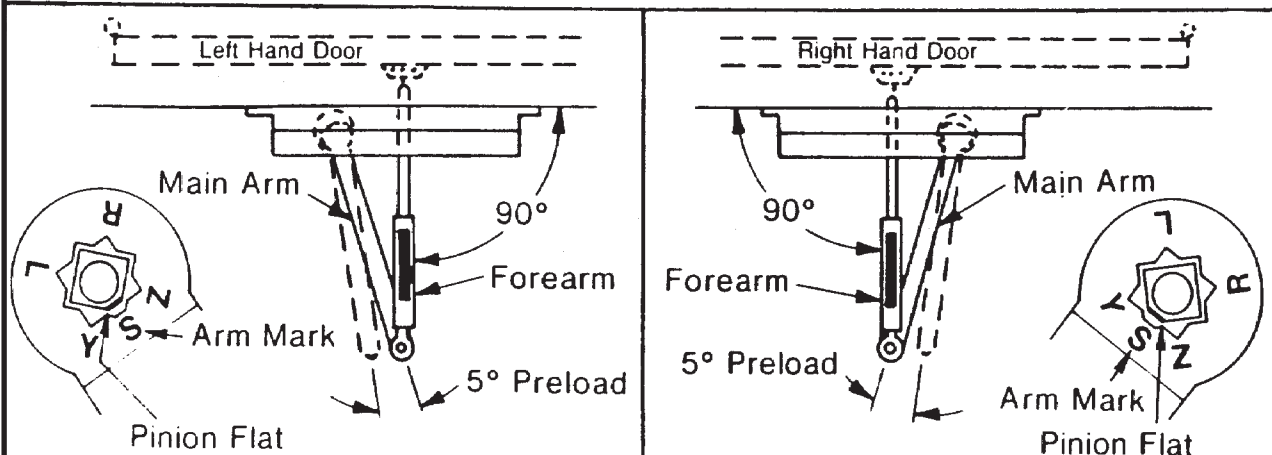


| Opening      | Dimension "A" |     |
|--------------|---------------|-----|
|              | inches        | mm. |
| To 100°      | 7-1/2         | 191 |
| 100° to 130° | 6             | 152 |
| Over 130°    | 4-1/2         | 114 |



- Do not scale drawing.
- Left hand door shown.
- Dimensions are in inches (mm.).
- Hollow metal doors require channel or box type reinforcement when thru bolt mount is specified.
- Sex bolts required for wood or plastic faced fire door mounting.
- Minimum thickness recommended for reinforcements in hollow metal doors and frames: .1046" (2.66 mm.) unless otherwise noted.
- Use regular length rod for reveals to 3" (76 mm.). Use long rod for reveals 2-3/4" (70 mm.) to 6-3/4" (171 mm.).

Position of Arm and Pinion Flat



**J8000 Series Door Closer**  
**Top Jamb Application With 8146 Back Plate for Low Ceiling Clearance**  
**J8100, J8300, and J8500**  
**Sizes 1 thru 6**



ASSA ABLOY

www.nortondoorcontrols.com

TEMPLATE NUMBER

**7380-0151**

DATE

**09-08**