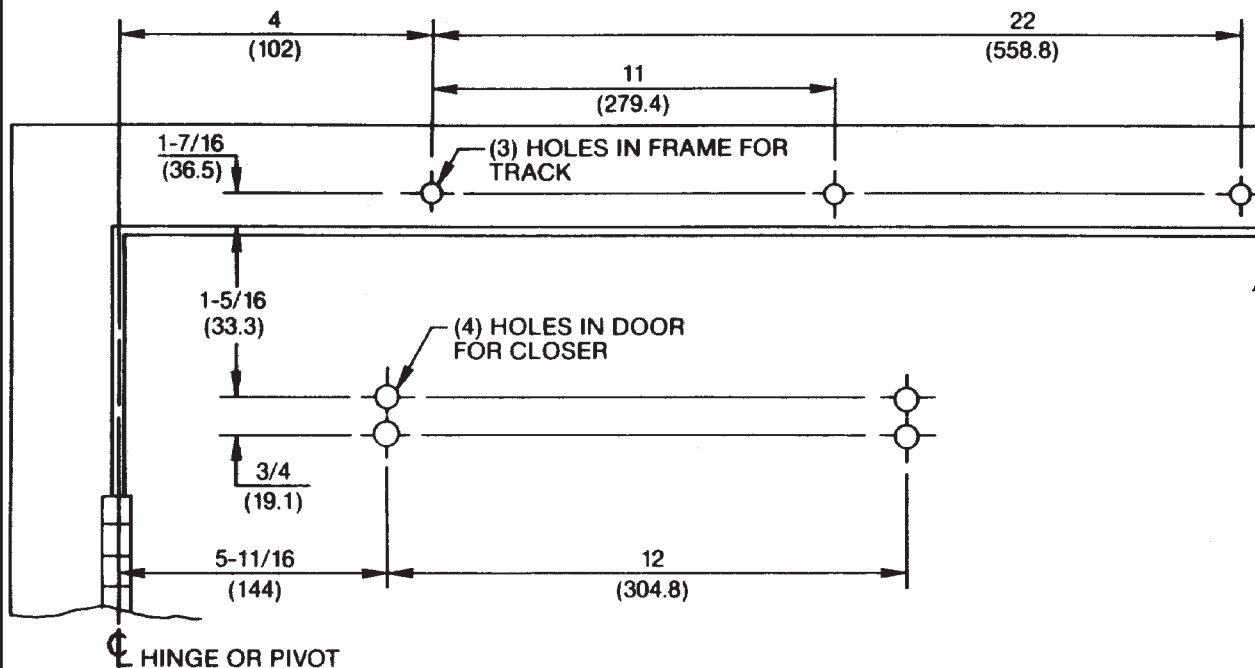


IMPORTANT: From centerline of pivot point to end of track is 26½" (673 mm)



- Right hand door shown.
- Do not scale drawing.
- Dimensions are given in inches (mm.)
- Minimum ceiling clearance for unit is 2" (50mm.).
- Maximum door opening:
 - Non Hold Open with Spring Buffer - 110°
 - Non Hold Open without Spring Buffer - 180°
 - Hold Open - 110°

Preparation for Fasteners

Fasteners	Door or Frame	Drill-Sizes
#14 type "A" S.M. screw	Wood	3/16" (4.30mm.)
¼"-20 machine-screw	Metal	drill: #7 (.201") tap: ¼"-20
Sex-nuts and bolts (Optional)	Hollow-Metal	9/32" (7.00mm.) through; 3/8" (9.50mm.) door-face opposite to closer
	Aluminum or Wood	3/8" (9.50mm.) through
Through-bolt and grommet-nuts (Optional)	All	9/32" (7.00mm.) through; 3/8" (9.50mm.) dia. x 3/8" (10mm.) deep door-face opposite to closer

8300ST/8500ST Series Non Hold Open Door Closers
8300ST-H/8500ST-H Series Hold Open Door Closers
Hinge Side Slide Track Application

Norton

ASSA ABLOY

www.nortondoorcontrols.com

TEMPLATE NUMBER

7380-0501

DATE

09-08