



The closing force for Series 8000ST door closers is adjustable from a size 1 to a size 6, as outlined in ANSI Standard A156.4. When these series of door closers are installed and adjusted to conform to ADA reduced opening force requirements (5 lbs max.) for interior doors, they may not have adequate closing force to reliably close and latch the door. Power adjustments charted on Page 4 are recommended where possible, to ensure proper door control.

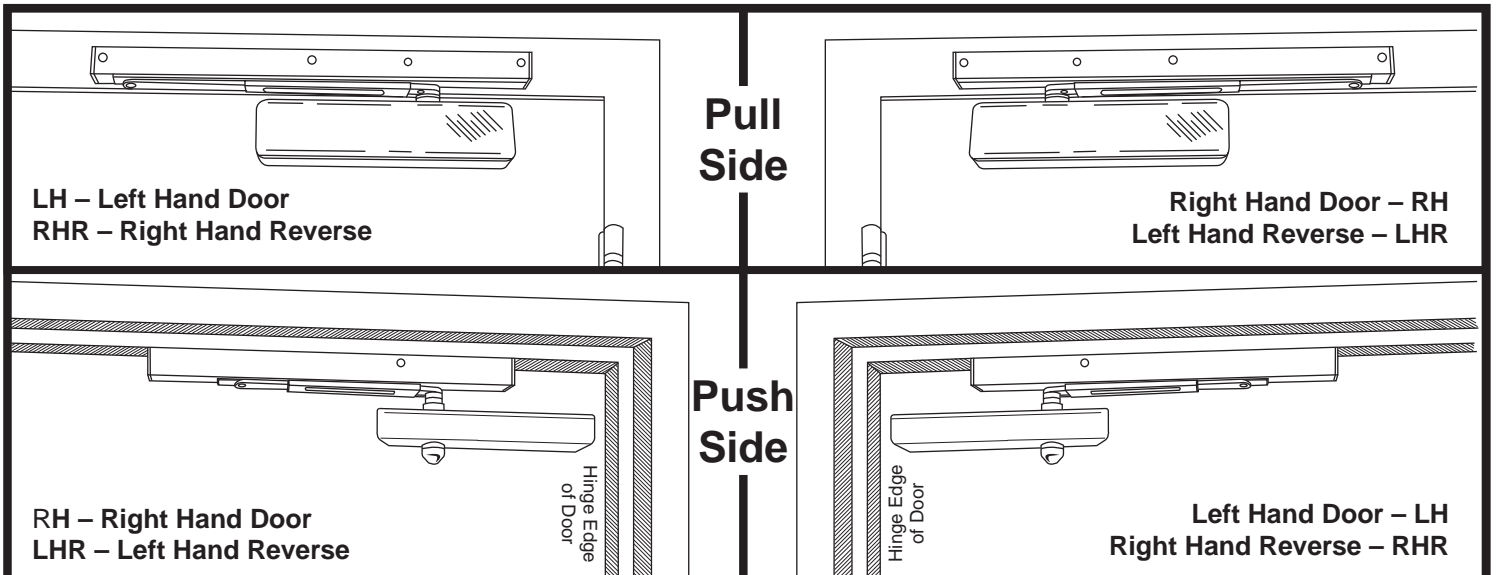
### CAUTION

An incorrectly installed or improperly adjusted door closer can cause property damage or personal injury. These instructions should be followed to avoid the possibility of misapplication or misadjustment.

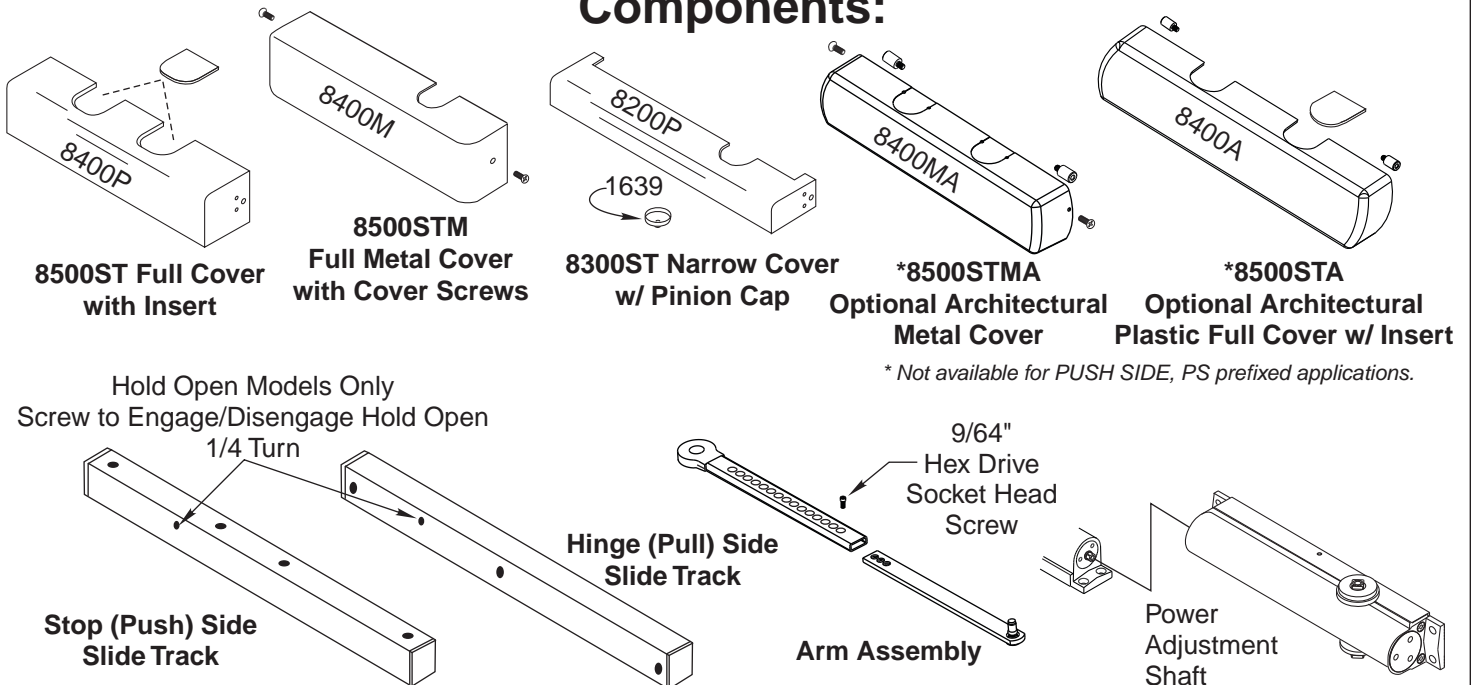
**NOTE:** For special applications a separate door and frame preparation template is packed with these instructions. Use this instruction sheet for installation sequence and closer adjustments only.

- For closers with or without **Delayed Action** closing suffix "DA".
- Use of an auxiliary door stop is always recommended.

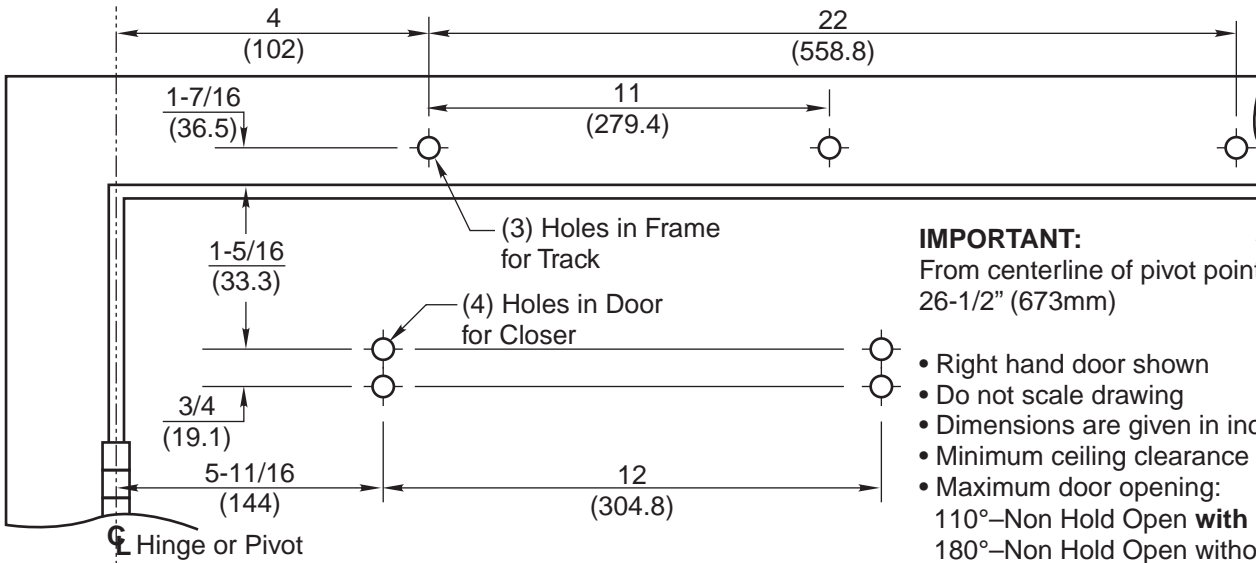
Non Hold Open Models				Hold Open Models			
Hinge (Pull) Side		Stop (Push) Side		Hinge (Pull) Side		Stop (Push) Side	
8300ST	8500ST	PS8300ST	PS8500ST	8300ST-H	8500ST-H	PS8300ST-H	PS8500ST-H
8301ST	8501ST	PS8301ST	PS8501ST	8301ST-H	8501ST-H	PS8301ST-H	PS8501ST-H



### Components:



# Pull Side Application

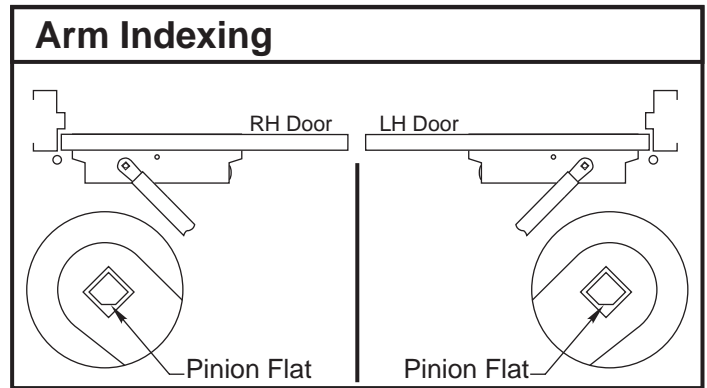


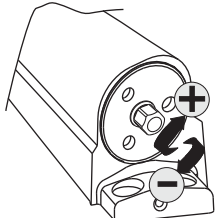
### IMPORTANT:

From centerline of pivot point to end of track is 26-1/2" (673mm)

- Right hand door shown
- Do not scale drawing
- Dimensions are given in inches (mm)
- Minimum ceiling clearance for unit is 2" (50mm)
- Maximum door opening:
  - 110°–Non Hold Open **with** spring buffer in track
  - 180°–Non Hold Open without spring buffer
  - Auxiliary door stop required
  - 110°–Hold Open track

- **Use template to locate holes on door and frame:**
  - 4 on door for closer.
  - 3 on frame face for track assembly.
- **Prepare door and frame for fasteners** using chart on this page.
- **FOR 8301/8501 & 8311/8511 SERIES MODELS ONLY** set closer power for door size using chart below:





## Power Adjust

Use 5/16" Socket or Adjustable Wrench for this Adjustment

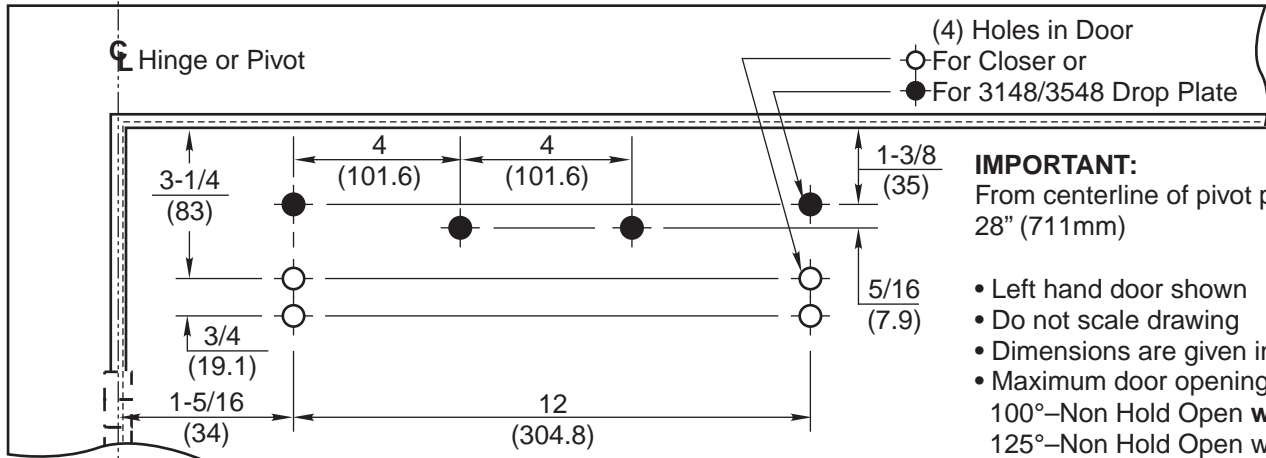
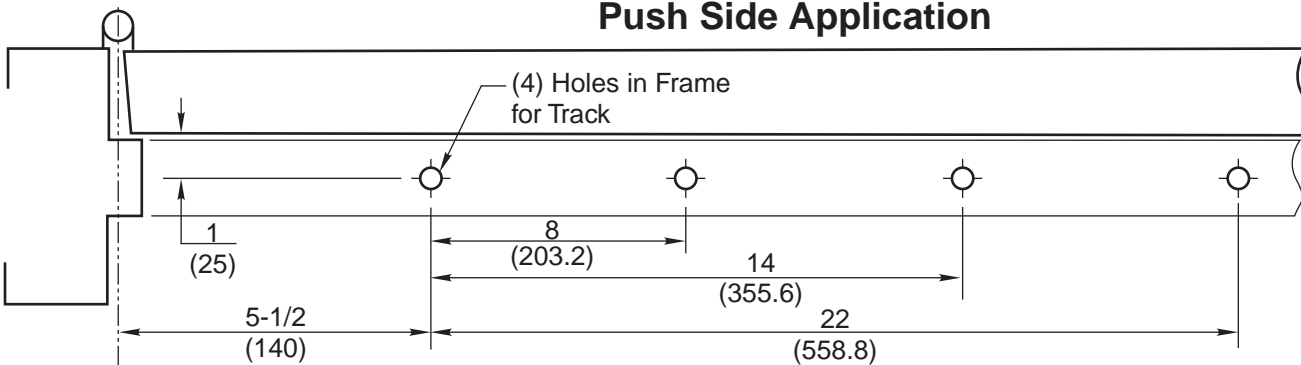
Power Adjustment Chart for 8301/8501, 8311/8511 ONLY				
DOOR	Number of Turns Required			
	MAXIMUM DOOR SIZE			
	32" (0.85M)	36" (0.90M)	42" (1.00M)	48" (1.20M)
Interior Door	2	3	5	7
Exterior Door	3	5	7	9

NOTE: Maximum of 20 turns (360°) of Power Adjustment Shaft. Closer is shipped set at 10 turns.

Preparation for Fasteners			
	Fasteners	Door or Frame	Drill-Sizes
Standard	Self-Drilling Screw	Aluminum or Metal	No drill required
		Wood	3/16" (4.30 mm)
	1/4" - 20 machine screw	Metal	Drill: #7 (0.201" dia.) Tap: 1/4" - 20
Optional	Sleeve nuts and bolts	Hollow Metal	9/32" (7 mm) through; 3/8" (9.5 mm) door face opposite to closer
		Aluminum or Wood	3/8" (9.5 mm) through
	Through-bolts and grommet-nuts	All	9/32" (7 mm); 3/8" (9.5 mm) dia. x 3/8" (9.5 mm) deep on door opposite to closer

- **Fasten closer body to door with power adjustment shaft toward lock** edge of door. Note: If application has a full metal cover, 8500M, slide mounting clips under each end of closer before tightening screws.
- **Fasten slide track to frame face** with open side facing down and spring buffer end toward hinge edge of door.
- **Adjust arm to shortest length** and install 9/64" hex drive socket head screw from screw pack.
- **Place slide arm on pinion shaft** using Arm Indexing instructions above.
- **Secure arm with arm washer and arm screw.**
- **Insert arm stud into slide block** in track assembly. Secure by pushing in on the retainer clip that extends from the slide block in the track, until it is flush with the slide block.
- **Adjust closer** See Page 4.

## Push Side Application



### IMPORTANT:

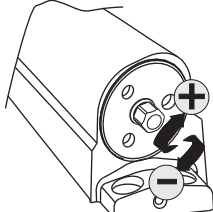
From centerline of pivot point to end of track is 28" (711mm)

- Left hand door shown
- Do not scale drawing
- Dimensions are given in inches (mm)
- Maximum door opening:  
100°–Non Hold Open **with** buffer in track  
125°–Non Hold Open without buffer in track, Auxiliary door stop required  
100°–Hold Open track

- **Use template to locate holes on door and frame:**  
4 on door for closer or drop plate.  
4 on frame soffit for track assembly.

- **Prepare door and frame for fasteners** using chart on Page 2.

- **FOR PS8301/PS8501 & PS8301/PS8501 SERIES MODELS ONLY** set closer power for door size using chart below:



### Power Adjust

Use 5/16" Socket or Adjustable Wrench for this Adjustment

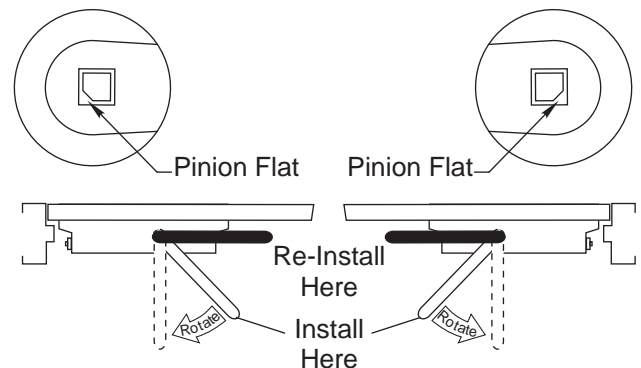
DOOR	Number of Turns Required			
	MAXIMUM DOOR SIZE			
	32" (0.85M)	36" (0.90M)	42" (1.00M)	48" (1.20M)
Interior Door	2	3	5	7
Exterior Door	3	5	7	9

NOTE: Maximum of 20 turns (360°) of Power Adjustment Shaft. Closer is shipped set at 10 turns.

- **Fasten closer body to door with power adjustment shaft toward hinge** edge of door. Note: If application has a full metal cover, 8500M, slide mounting clips under each end of closer before tightening screws.

- **Fasten slide track to frame soffit** with open side facing down and spring buffer end toward hinge edge of door.

### Arm Indexing



1. Close valves S & L
2. Install arm
3. Rotate arm
4. Remove arm and re-install
5. Open valves S & L

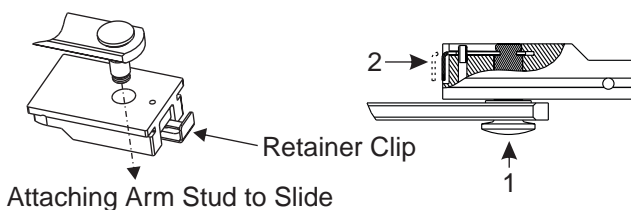
- **Adjust arm to shortest length** and install 9/64" hex drive socket head screw from screw pack.
- **Place slide arm on pinion shaft** using Arm Indexing instructions above.
- **Secure arm with arm washer and arm screw.**
- **Insert arm stud into slide block** in track assembly. Secure by pushing in on the retainer clip that extends from the slide block in the track, until it is flush with the slide block.
- **Adjust closer** See Page 4.

# Adjustment Instructions

## Arm Attachment to Track

Insert arm stud into slide block in track.  
Secure by pushing in on the retainer clip that extends from the slide block, until it is flush with the slide block. **See Figure 1.**

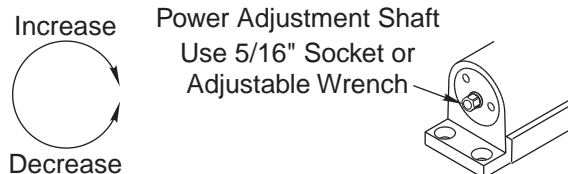
## Attaching Arm Stud to Slide Fig. 1



## Door Opening Angle and/or Hold Open Angle:

Remove 9/64" hex drive socket head screw from arm. Open door to desired angle and install hex-drive socket head screw into hole in adjusting rod that is aligned with the hole in the adjusting tube.

## Closing Power Control Fig. 2



## Closing Power

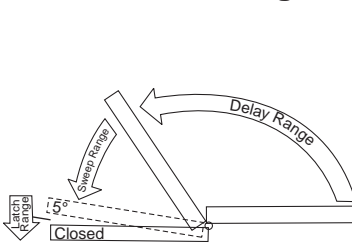
- 8300ST/8500ST Models come in five different sizes (2 thru 6); each power size can be increased by 50%. Adjust as required, **See Figure 2.**
- 8301ST/8501ST Models are fully adjustable. For proper sizing see chart on Page 2 or 3. To adjust closer power – **See Figure 2.** Increase or decrease power as necessary.

## Hydraulic Control

### Closing Cycle (hydraulic control) See Figure 3A.

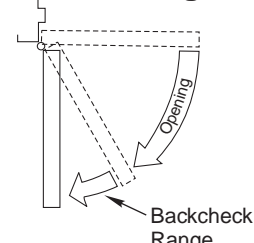
Valve "L" controls door speed in **Latch range**.  
Valve "S" controls door speed in **Sweep range**.  
Valve "D"—Optional—controls door speed in the **Delay range**.  
Use 1/8" hex-key furnished and adjust as shown in Figure 4.

### Fig. 3A



Closing Cycle

### Fig. 3B



Opening Cycle

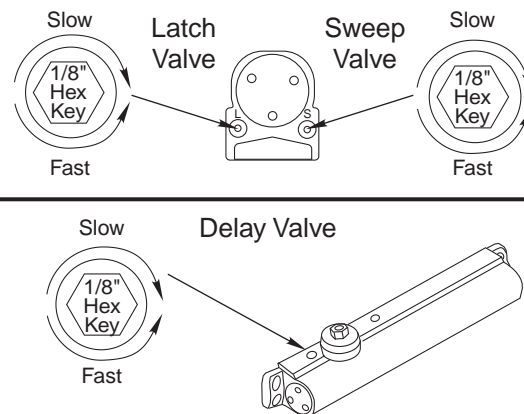
### Opening Cycle (hydraulic control) See Figure 3B.

Valve cushions (slows) door opening in the **backcheck range**.

Note: Never close this valve completely or damage to closer may occur.

Use 1/8" hex-key furnished and adjust as shown in Figure 5.

## Closing Speed Fig. 4



## Installation of Cover:

- **Full cover:** Slide cover insert into the un-used cutout in cover. Install cover using screws provided.
- **Narrow cover:** Install cover using screws provided. Install pinion cap onto pinion shaft by hand or with a Phillips screw driver - **DO NOT OVER TIGHTEN.**
- **Architectural plastic cover:** Slide cover insert into the un-used cutout in cover. Install standoffs in ends of closer. Snap cover onto standoffs.

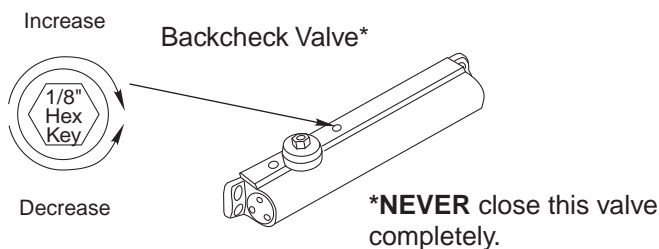
## On/Off Hold Open Feature:

Slotted screw, accessible thru hole in face of track, engages or disengages the hold open feature with 1/4 turn of the screw. *See Page 1 for location of screw.*

## Hold Open Power Adjustment:

If more hold open power is required, the power may be increased by turning the adjustment shaft in the end of the track nearest the hinges. Use 9/64" hex wrench provided and rotate adjustment shaft clockwise to increase holding power.

## Backcheck Fig. 5





**ASSA ABLOY**

ASSA ABLOY, the global leader in door opening solutions

3000 Highway 74 East • Monroe, NC 28112  
Tel: (877)-974-2255 • Fax: (800)-338-0965  
www.nortondoortcontrols.com