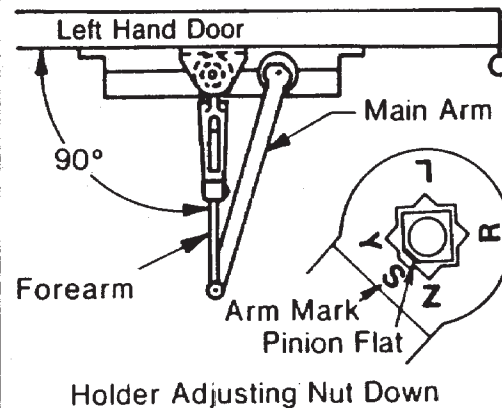
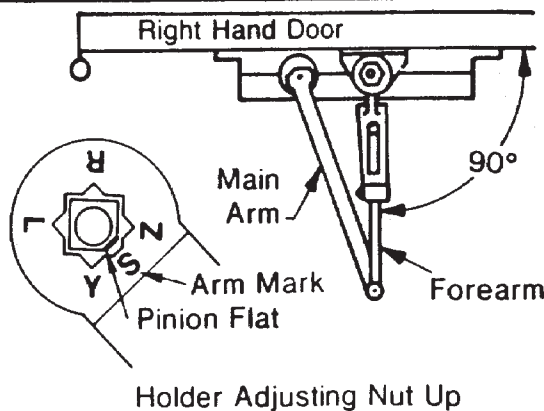


Opening	Dimension "A"	
	inches	mm.
To 100°	7-1/2	191
100° to 130°	6	152
Over 130°	4-1/2	114

1/4-20 Machine Screws or #14 Wood Screws (6 Holes)

ϕ Hinge for Pivot

Position of Arm and Pinion Flat



- Do not scale drawing.
- Right hand door shown.
- Dimensions are in inches (mm.).
- Hollow metal doors require channel or box type reinforcement when thru bolt mount is specified.
- Sex bolts required for wood or plastic faced fire door mounting.
- Minimum thickness recommended for reinforcements in hollow metal doors and frames: .1046" (2.66 mm.) unless otherwise noted.

8000H Series Door Closer
Hold Open Application With 8146 Back Plate for Concealed Stop Clearance
8100H, 8300H, and 8500H
Sizes 1 Thru 6



ASSA ABLOY

www.nortondoorcontrols.com

TEMPLATE NUMBER

7380-0109

DATE

09-08