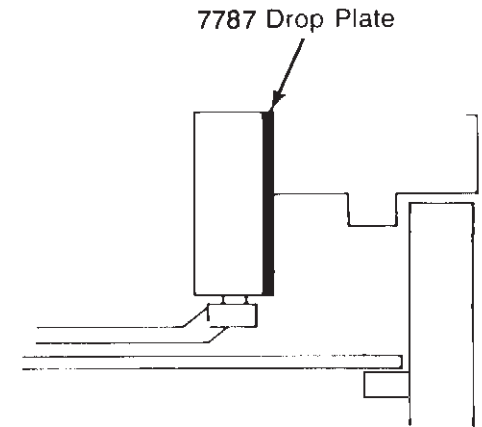


Notes:

- Do not scale drawing.
- All dimensions shown in inches (mm.).
- Left hand door shown.
- Caution: Hollow metal doors require channel or box type reinforcement. Hollow metal frames require full width header reinforcement.



Preparation for Fasteners			Figure 6.
Fasteners	Application	Door or Frame	Drill Sizes
Sex-nuts and bolts	Arm-foot	Hollow Metal	9/32" (7.00mm.) through 3/8" (9.50mm.) door face opposite to closer
		Aluminum or Wood	3/8" (9.50mm.) through
#14 x 1-1/4" (32mm.) type "A" S.M. screws	Drop plate	Wood	3/16" (4.30mm.)
1/4-20 machine screw		Metal	drill: #7 (.201" dia.) tap: 1/4-20
Through bolts and grommet nuts	Optional	All	9/32" (7.00mm.) through 3/8" (9.50mm.) dia. x 3/8" (10mm.) deep, door face opposite to closer

Door Opening Angle		Dimensions			
Hold Open	Dead Stop	Butts and Offset Pivots		Center Pivots	
		Dimension A		Dimension A	
		Inches	mm.	Inches	mm.
85°	90°	9¾	248	10¼	260
90°	95°	9⅛	232	9⅝	244
95°	100°	8½	216	9⅛	232
100°	105°	8	203	8⅝	219
105°	110°	7¾	197	8⅛	206
110°	115°	7⅝	187	7⅞	200

**Unitrol® with 7787 Drop Plate
Series UNI-J7500 and UNI-J7700**

**Top Jamb Installation Template
Stop Only or Hold Open Unitrol®
Backcheck or Delayed Action Door Closer**



ASSA ABLOY

www.nortondoorcontrols.com

TEMPLATE NUMBER

7377-1411

DATE

07-08