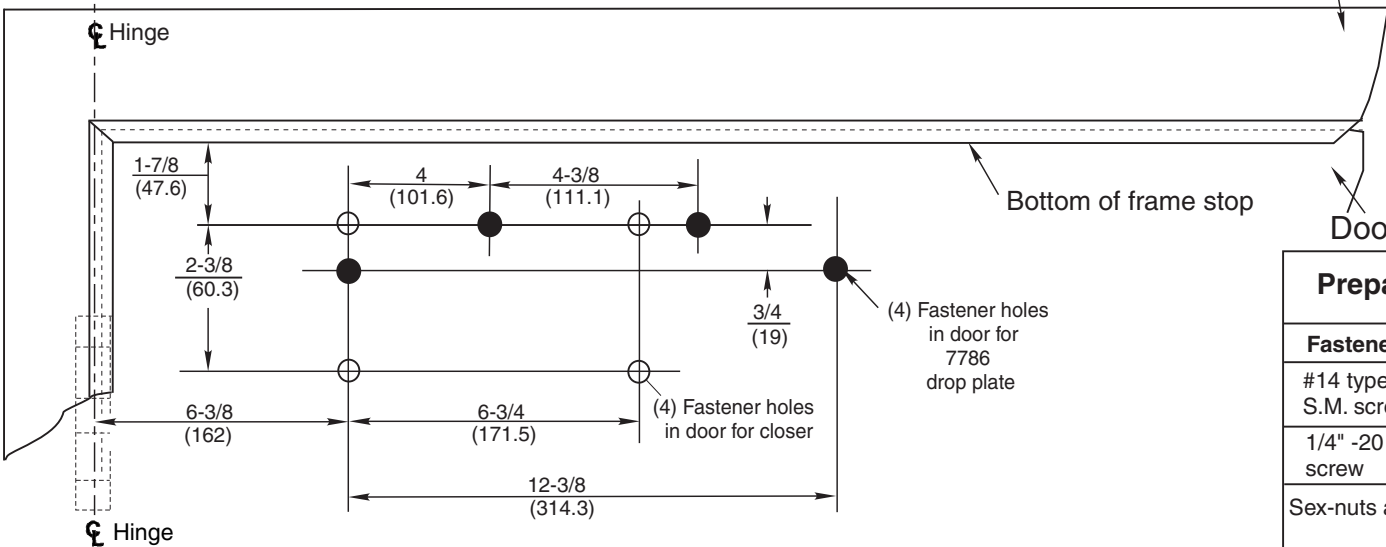
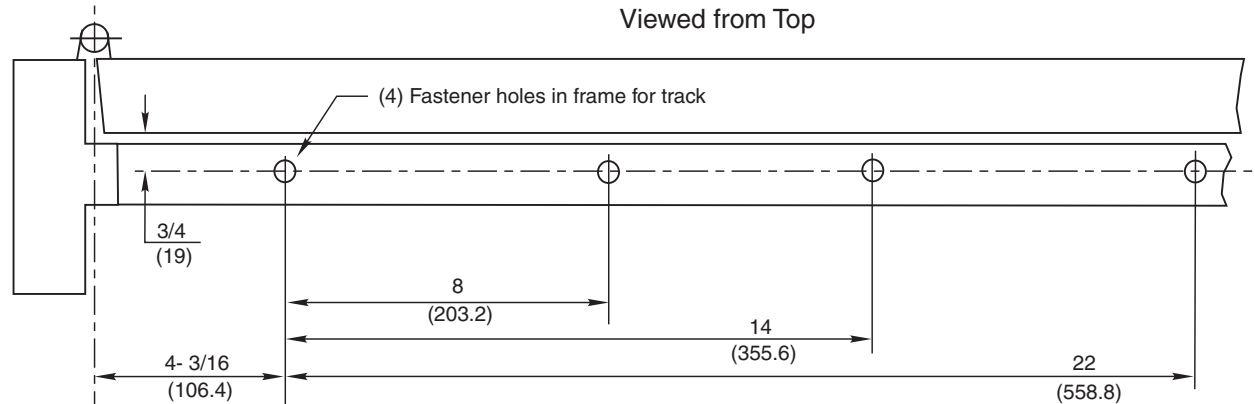


Viewed from Top



**Notes:**

- Left hand door shown.
- Do not scale drawing
- Minimum door width 29" (736.6mm).
- .1046 (2.7mm) minimum thickness recommended for hollow metal door and frame reinforcement.
- From centerline of pivot point to end of track is 27-11/16" (703.3mm).
- Dimensions are given in inches (mm)
- Maximum door opening:
  - Non-Hold Open & Hold Open** 105° recommended with cushion stop in track.
  - Non-Hold Open** 120° maximum without cushion stop.
 Use of auxiliary door stop is required when cushion stop is not used.
- Use of an auxiliary door stop is recommended where severe or abusive conditions are expected.

**Preparation for Fasteners**

Fasteners	Door or Frame	Drill Sizes
#14 type "A" S.M. screw	Wood	7/32"(5.56mm)
1/4" -20 machine screw	Metal	drill: #7 (.201") tap: 1/4" -20
Sex-nuts and bolts	Hollow Metal	9/32" (7.00mm) through 3/8" (9.50mm) door-face opposite to closer
	Aluminum or Wood	3/8" (9.50mm) through
Through-bolts and grommet-nuts (Optional)	All	9/32" (7.00mm) through; 3/8" (9.50mm) dia. x 3/8" (10mm) deep door- face opposite to closer

**PS7540ST and PS7740ST Non Hold Open-Stop Mounted Installation**  
**PS7540STH and PS7740STH Hold Open-Stop Mounted Installation**  
**Door Closer with Slide Track**  
**With or Without 7786 Drop Plate**  
 For Use on Doors with 4½" or 5" Wide Butt Hinges



ASSA ABLOY

www.nortondoorcontrols.com

TEMPLATE NUMBER

**7377-0561**

DATE

**07-08**