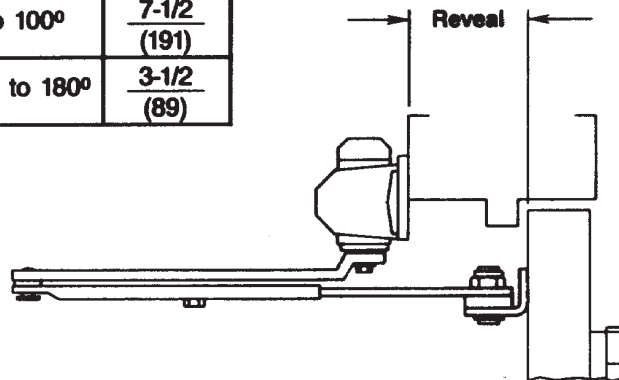


Opening	Dim.A
To 100°	7-1/2 (191)
101° to 180°	3-1/2 (89)



REVEAL RANGE	
1700BC-H Series	0" to 4-7/8" (0) to (123)
J1700BC-H Series	4-7/8" to 6-7/8" (123) to (174)

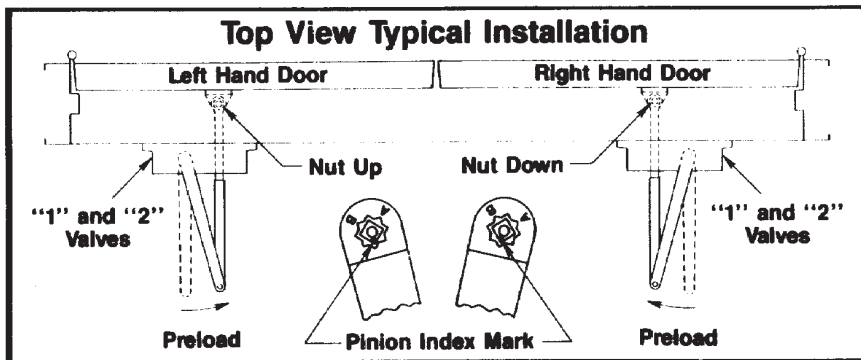
Notes:

Door swing may be limited by door, frame, wall or hardware conditions.

Hollow-metal doors require channel or box-type reinforcement when thru-bolt mount is specified.

Sex-bolts required for wood or plastic faced fire-door mounting.

Minimum thickness recommended for reinforcements in hollow-metal doors and frames: .1046" (2.66mm) unless otherwise noted.



- Do not scale drawing.
- Left hand door shown.
- Dimensions are:
inches
(millimeters)

PREPARATION FOR FASTENERS		
TYPE OF FASTENER	DOOR OR FRAME	PREPARATION
#14 Type "A" Sheet Metal Screw	Wood	7/32" (5.5mm)
1/4-20 Machine Screw	Hollow Metal	#7(.201 dia.) or 5.10mm. drill — 1/4-20 tap
SNB (See Nut & Bolt) (Optional)	Hollow Metal	9/32" (7.00mm) thru ... 3/8" (9.50mm) door face Opposite to closer
	Aluminum or Wood	3/8" (9.50mm) thru ...
TBGN (Thru Bolt & Grommet Nut) (Optional)	All	9/32" (7.00mm) thru ... 3/8" (9.50mm) diameter 3/8" (10mm) deep, door Face opposite to closer

**1700BC-H or J1700BC-H Series Door Closers
Door and Frame Preparation Template
Top Jamb Drop Application With Hold Open Arm
With 1746 or 1757 Drop Plate**



ASSA ABLOY

www.nortondoorcontrols.com

TEMPLATE NUMBER

7317-0057

DATE

01-09