

Opening	Dim. A	Dim. B	Dim. C
To 100°	9-1/4	7-5/8	8-5/8
100° to 130°	7-3/4	6-1/8	7-1/8
Over 130°	5-3/4	4-1/8	5-1/8

inches	mm.	inches	mm.	inches	mm.
		2-1/8	54	7	177.8
3/8	9.5	2-3/4	69.9	7-1/8	181
7/16	11.1	3-1/4	83	7-5/8	194
1/2	12.7	4	101.6	7-3/4	197
3/4	19.1	4-1/8	105	8-5/8	219
1-1/2	38.1	5-1/8	130	9-1/16	230.2
2	50.8	5-3/4	146	9-1/4	235
		6-1/8	156		

Notes:

- Do not scale drawing.
- Left hand door shown.
- Dimensions are in inches. See conversion chart for metric dimensions.

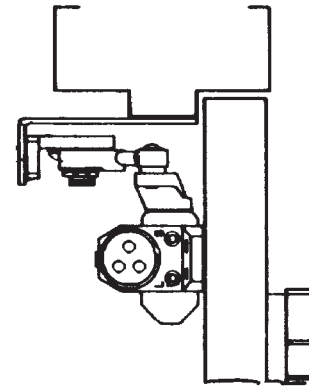
Door swing may be limited by door, frame, wall or hardware conditions.

Hollow-metal doors require channel or box-type reinforcement when thru-bolt mount is specified.

Hold Open Arm door closers are not permitted to be used on fire doors.

Sex-bolts may be required for wood or plastic faced fire-door mounting.

Minimum thickness recommended for reinforcements in hollow-metal doors and frames: .1046" (2.66mm.) unless otherwise noted.



Fastener	Door or Frame	Drill
#14 type "A" sheet metal screw	wood	7/32" (5.5mm)
1/4-20 machine screw	metal	#7 (.201 dia.) or 5.10mm. drill 1/4"-20 tap
SNB (optional)	hollow-metal	9/32" (7.00mm.) thru 3/8" (9.50mm.) door face opposite to closer
	aluminum or wood	3/8" (9.50mm.) thru
TBGN (optional)	all	9/32" (7.00mm.) thru 3/8" (9.50mm.) diameter x 3/8" (10mm.) deep, door face opposite to closer

(P)1600 and (P)1600H Series Door Closers
 Parallel Arm Applications with or without 1688 Drop Plate
 Non Hold Open or Hold Open Arm
 Individually Sized Units 3 and 4 & Multi-sized Unit 1-6



ASSA ABLOY

www.nortondoorcontrols.com

TEMPLATE NUMBER

7316-1202

REV

2