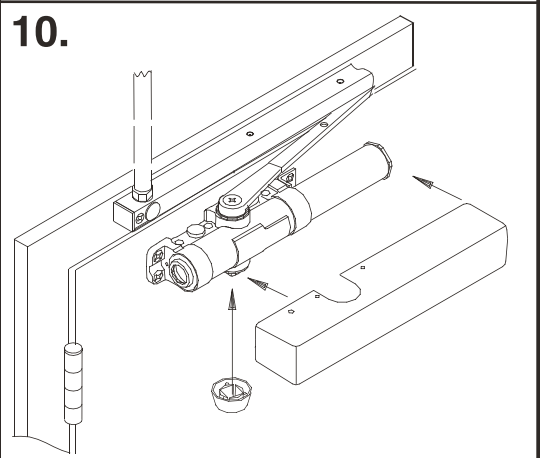
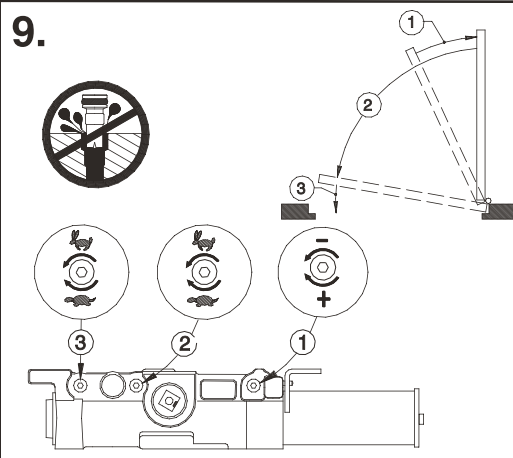
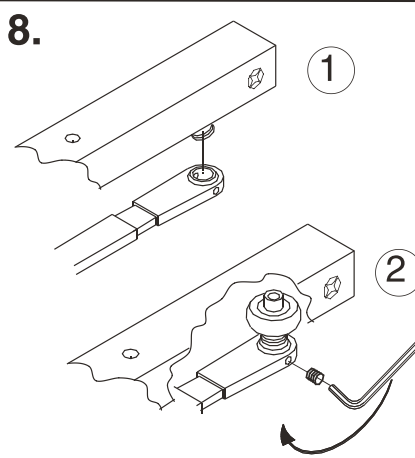
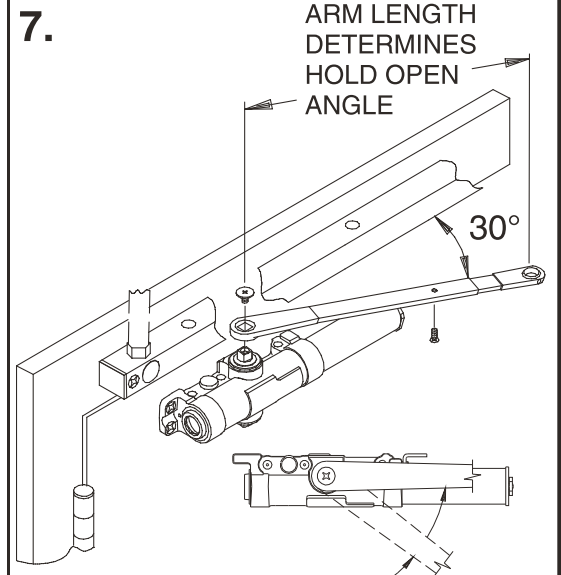
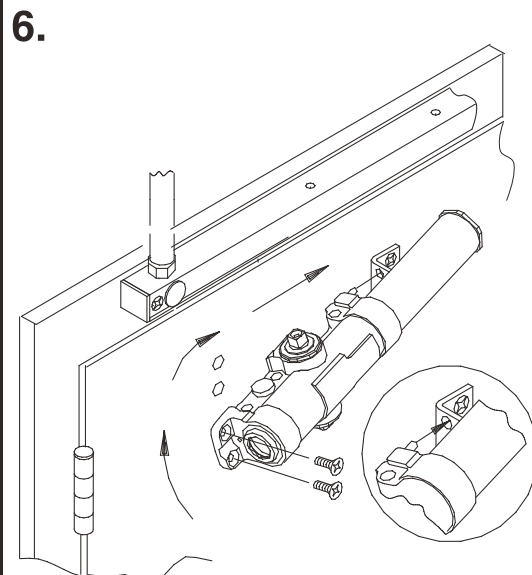
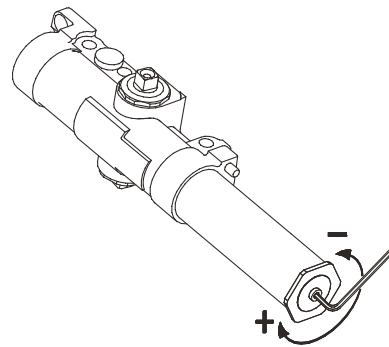


5.

1460 SE	
CLOSER SIZE	FULL TURNS REQ'D.
3	0
4	+8



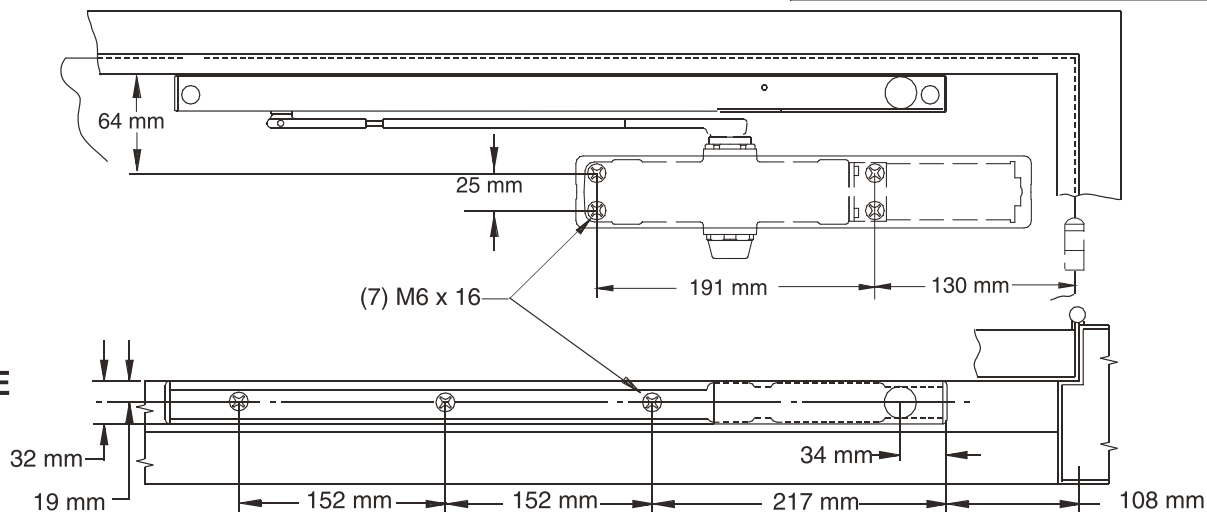
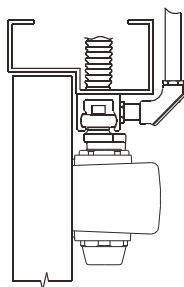
LCN®

1-877-671-7011

M1460 SE

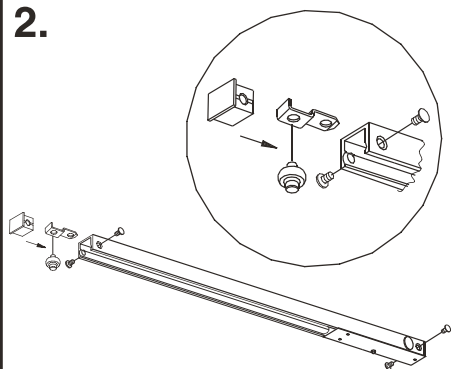
1460SE: 85° - 110° HOLD OPEN
AUXILIARY STOP RECOMMENDED
MAX. OPENING: 110°

1.

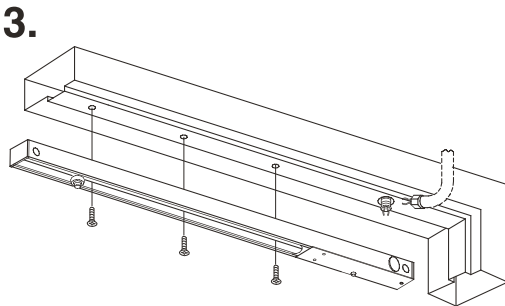


**NO MAINTENANCE
REQUIRED**

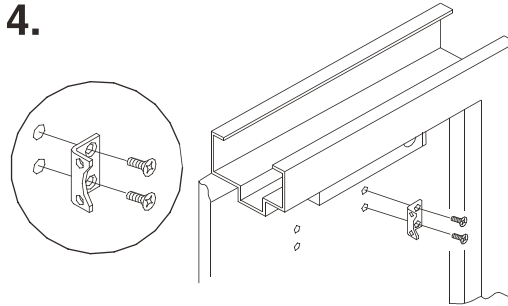
2.



3.



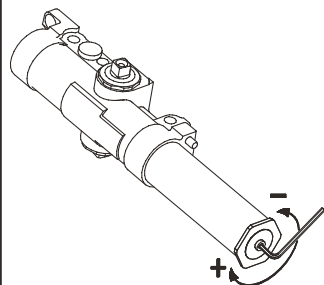
4.



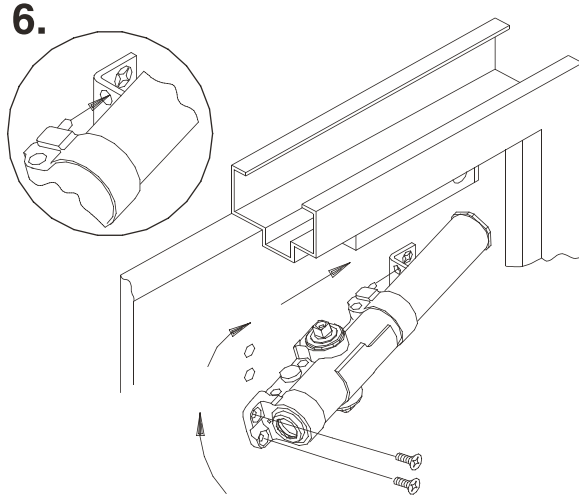
5.

1460 SE

CLOSER SIZE	FULL TURNS REQ'D.
3	0
4	+8

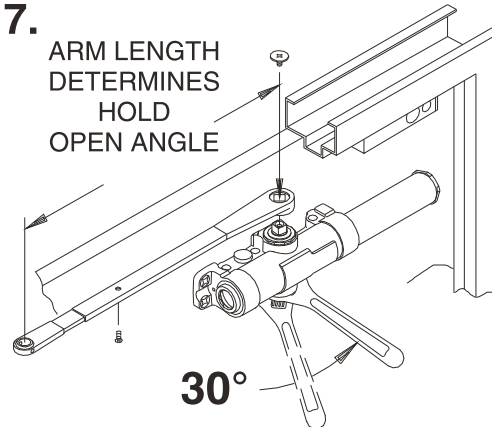


6.

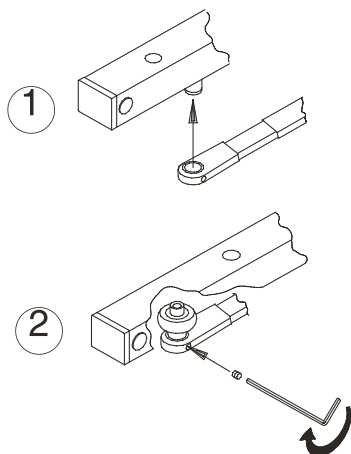


7.

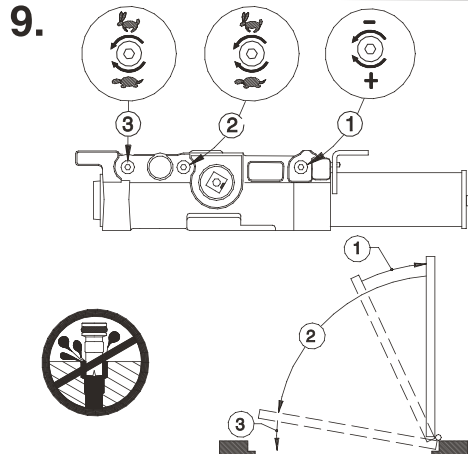
ARM LENGTH
DETERMINES
HOLD
OPEN ANGLE



8.



9.



10.

