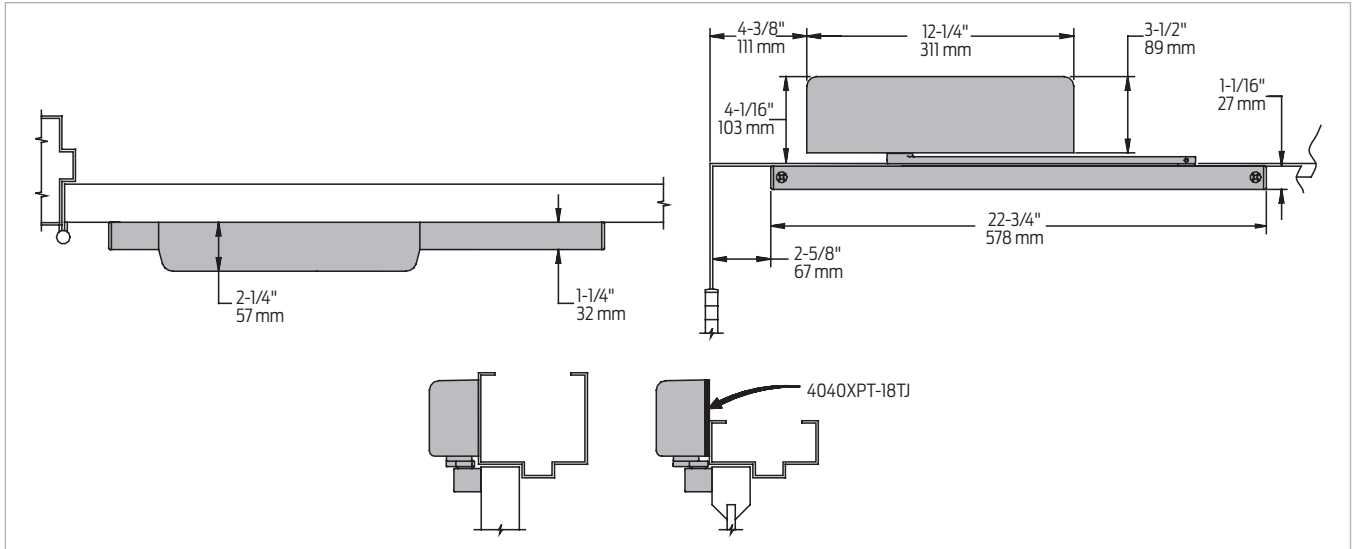


Mounting details

Top jamb (pull) side mounting



Butt hinges	Should not exceed 5" (127 mm) in width
Auxiliary stop	<ul style="list-style-type: none"> Recommended at hold-open point or where a door cannot swing 180° Optional track bumper assembly assists backcheck in cushioning the opening swing of the door It is not intended to replace an auxiliary stop
Reveal	Should not exceed 1/8" (3 mm)
Head frame	Less than 3 7/8" (98 mm), requires PLATE, 4040XPT-18TJ. Plate requires 1 3/4" (44 mm) minimum
Clearance	1 1/4" (32 mm) behind door required for 180° installation
Maximum opening	<ul style="list-style-type: none"> Templating allows 180° with standard track arm, limited to 110° with optional bumper installed Consult factory if door will be held open at 180° Variable hold-open angles with infinite options

Note: Consult factory for applications where an exterior or large/heavy door must swing 180°