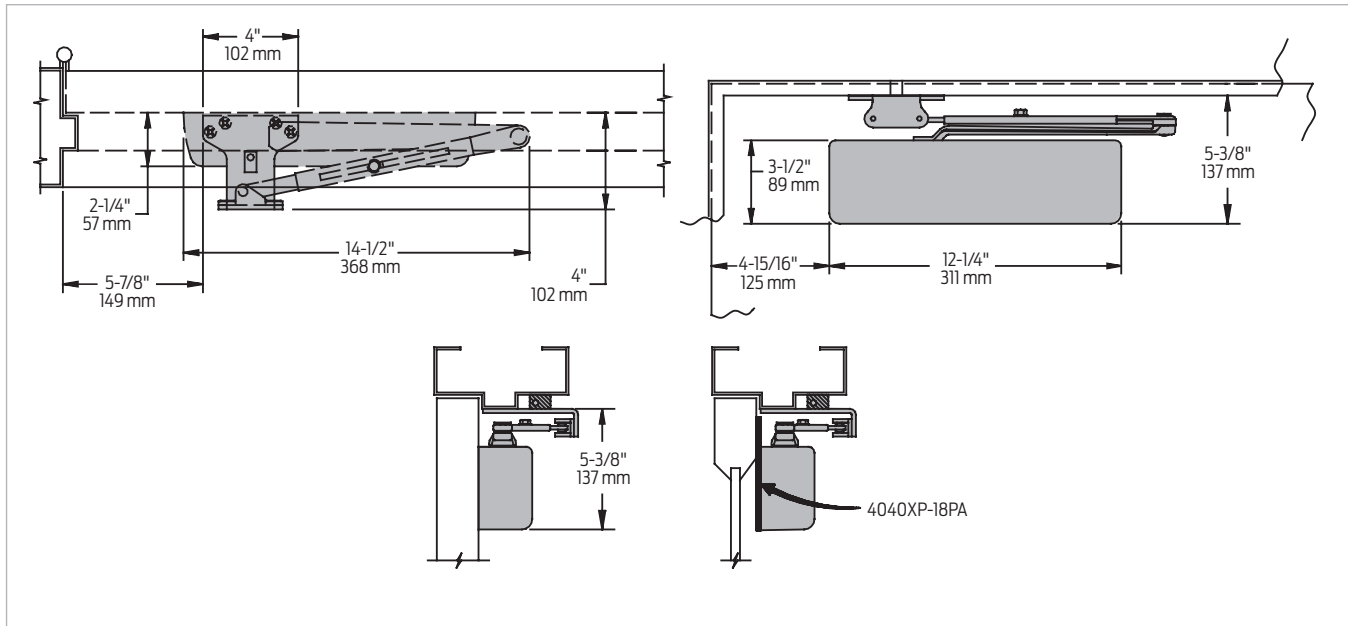


## Mounting details

### Parallel arm (push) side mounting



<b>Butt hinges</b>	Should not exceed 5" (127 mm) in width
<b>Auxiliary stop</b>	Recommended at hold-open point, where the door cannot swing 180°, or where Cush-N-Stop arm is not used
<b>Reveal</b>	Should not exceed 7/32" (6 mm)
<b>Top rail</b>	Less than 5 3/8" (137 mm) measured from the stop requires plate, 4040XP-18PA. Plate requires 2" (51 mm) minimum from the stop
<b>Head frame</b>	Flush or rabbeted requires PA shoe adapter, 4040XP-419
<b>Stop width</b>	Minimum 1" (25 mm). CUSH arm requires minimum 1 1/2" (38 mm)
<b>Blade stop</b>	Clearance requires 1/2" (13mm) blade stop spacer, 4040XP-61.
<b>Clearance</b>	<ul style="list-style-type: none"> <li>4040XP-62PA shoe is 4" (102 mm) from door face.</li> <li>EDA shoe projects 5 1/2" (140 mm) from door face.</li> <li>CUSH shoe projects 6" (152 mm) from door face</li> </ul>
<b>Delayed action</b>	<ul style="list-style-type: none"> <li>Incorporates standard 4041 cylinder, without XP cylinder</li> <li>Delays closing from 120° to 70°</li> <li>Delay time adjustable up to approximately 1 minute.</li> </ul>
<b>Maximum opening</b>	<ul style="list-style-type: none"> <li>180° opening/hold-open points with all except CUSH arms</li> <li>110° opening/hold-open with CUSH arms</li> </ul>

**Notes:**

- Optional mounting requires PA shoe, 4040XP-62PA for regular or hold-open arms
- Add prefix "P" to closer description (eg. P4040XP)
- P4040XP closer includes 4040XP-201 fifth hole spacer to support PA shoe