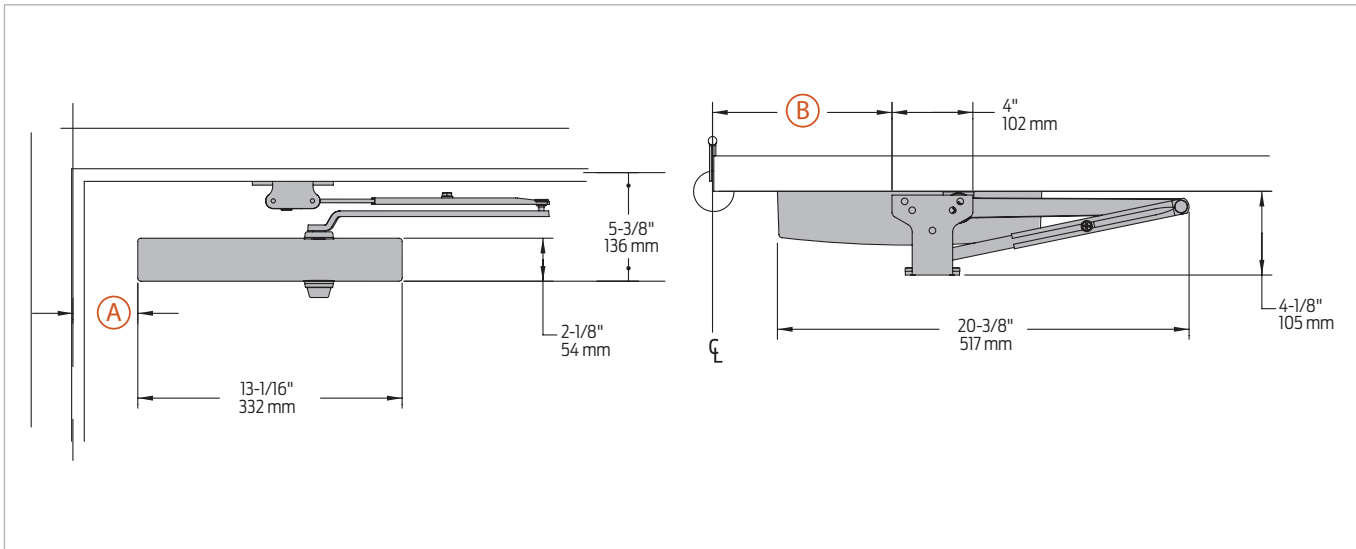


Mounting details

Parallel arm (push side) mounting



Butt hinges	Should not exceed 5" (127 mm) in width		
Auxiliary stop	Recommended at hold open point, where a door cannot swing 180°, or where Cush-n-Stop Arm is not used		
Top rail	<ul style="list-style-type: none"> Less than 5 1/4" (133 mm) measured from the soffit requires Plate requires 1 1/4" (32 mm) minimum. 		
	Cover	Minimum top rail (measured from soffit)	Plate required
	Plastic	3 1/2" (89 mm)	1450-18
		2 1/4" (57 mm)	1450-18PA
	Metal	3 1/2" (89 mm)	1450-18FC
		2 1/4" (57 mm)	1450-18PAFC
Clearance	1450-62PA shoe projects 4 1/8" (105 mm) from door face		
Head frame	Flush or single rabbeted requires PA shoe adapter, 1450-418		
Stop width	Minimum 1" (25 mm)		
Blade stop	Clearance, requires 1/2" (13 mm) blade stop spacer, 1450-61		
Auxiliary shoe	1450-62A allows installation of regular arm with overhead holder/stop		
Maximum opening	Regular or Hold Open Arm can be templated to		
	120°:	A = 3 3/16" (81 mm) B = 8 7/8" (225 mm)	
	121° to 180°:	A = 11/16" (17 mm) B = 6 3/8" (162 mm)	

Note: Note: Hold open points up to maximum opening with Hold Open Arm. PA shoe is included with RWPA Arm. 1450 closer includes 1450-201 fifth hole spacer to support PA shoe.