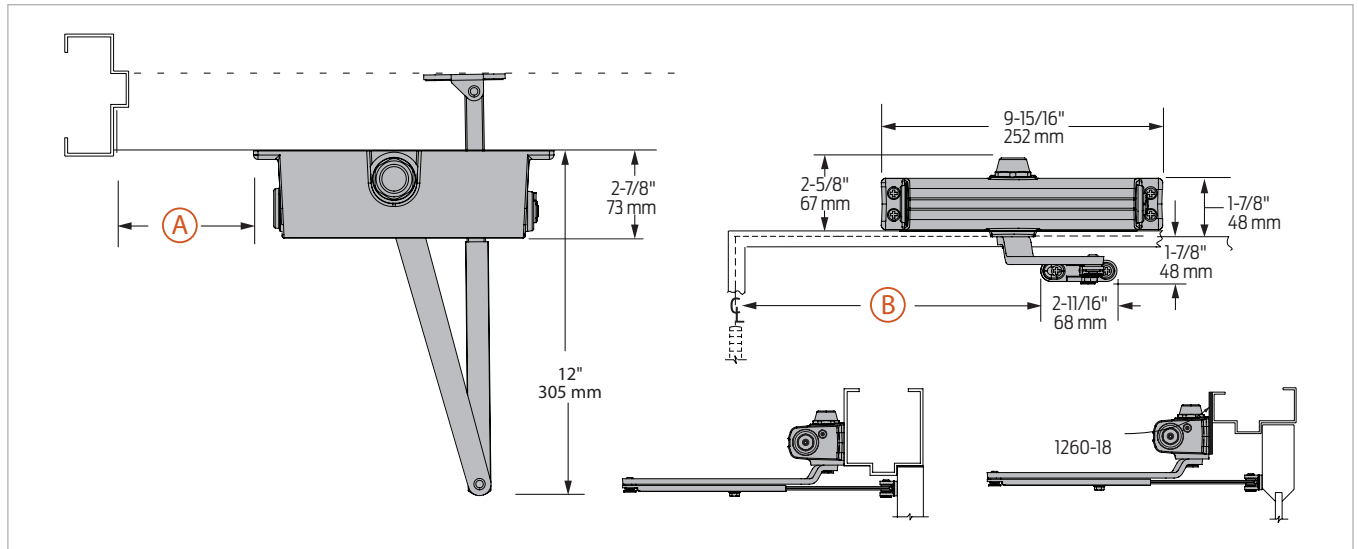


## Mounting details

### Top jamb (push side) mounting



<b>Butt hinges</b>	Should not exceed 5" (127 mm) in width		
<b>Auxiliary stop</b>	Recommended at hold open point or where a door cannot swing 180°		
<b>Reveal</b>	Arm type	Maximum reveal	Opening
	Regular Arm	3 1/2"	Up to 120°
	Regular Arm	2 1/4"	121° to 180°
	Long Arm	7 1/2"	Up to 120°
	Long Arm	3 1/2"	121° to 180°
	Hold Open Arm	2"	Up to 120°
	Hold Open Arm	2 1/4"	121° to 180°
	Hold Open Long Arm	4 1/2"	Up to 120°
	Hold Open Long Arm	4 1/2"	121° to 160°
<b>Top rail</b>	1 3/4" (44 mm) minimum. 2 1/2" (64 mm) minimum with closer on plate, 1260-18		
<b>Head frame</b>	Less than 1 3/4" (44 mm) requires plate, 1260-18. For flush ceiling condition with 2" (51 mm) head frame, use plate, 1260-18. (Plate requires 1 3/8" (35 mm) minimum.)		
<b>Maximum opening</b>	110°:	A = 7 1/16" (179 mm) B = 12 15/16" (329 mm)	
	101° to 120°:	A = 5 9/16" (141 mm) B = 11 7/16" (291 mm)	
	or *121° to 180°:	A = 3 1/16" (78 mm) B = 8 15/16" (227 mm)	

Note: Hold open points up to maximum opening with Hold Open Arm.  
\* Frame and trim permitting.