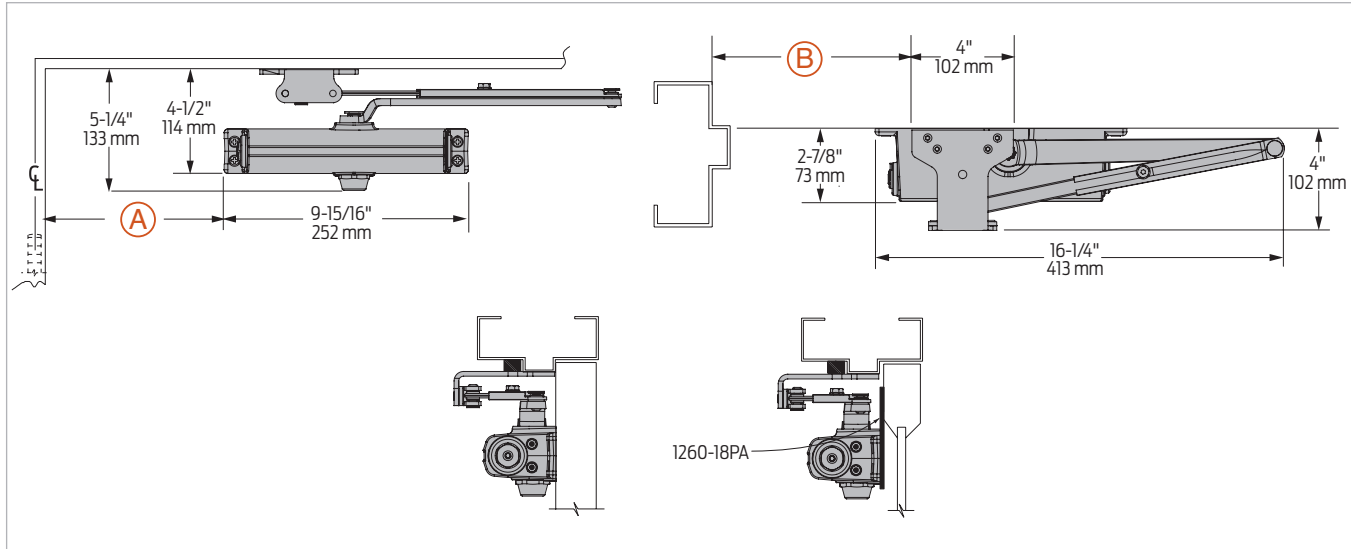


Mounting details

Parallel arm (push side) mounting



Butt hinges	Should not exceed 5" (127 mm) in width
Auxiliary stop	Recommended at hold open point, where a door cannot swing 180°, or where Cush-n-Stop Arm is not used
Top rail	Less than 4 3/8" (111 mm) measured from the stop requires plate, 1260-18PA
Clearance	1260-62PA shoe projects 4" (102 mm) from door face
Stop width	Minimum 1" (25 mm)
Blade stop	Clearance, requires 1/2" (13 mm) blade stop spacer, 1260-61
Auxiliary shoe	1260-62A allows installation of regular arm with overhead holder/stop. Special templating required
Maximum opening	Regular or Hold Open Arm can be templated to 100°: A = 7 3/16" (183 mm) B = 8 5/8" (219 mm) or 101° to 130°: A = 5 11/16" (144 mm) B = 7 1/8" (181 mm) or *131° to 180°: A = 3 11/16" (94 mm) B = 5 1/8" (130 mm)

Note: Hold open points up to maximum opening with Hold Open Arm. Optional mounting requires PA shoe, 1260-62PA for Regular and Hold Open Arms. 1260 Parallel Arm closer includes 1260-201 fifth hole spacer to support PA shoe.

* Frame and trim permitting.