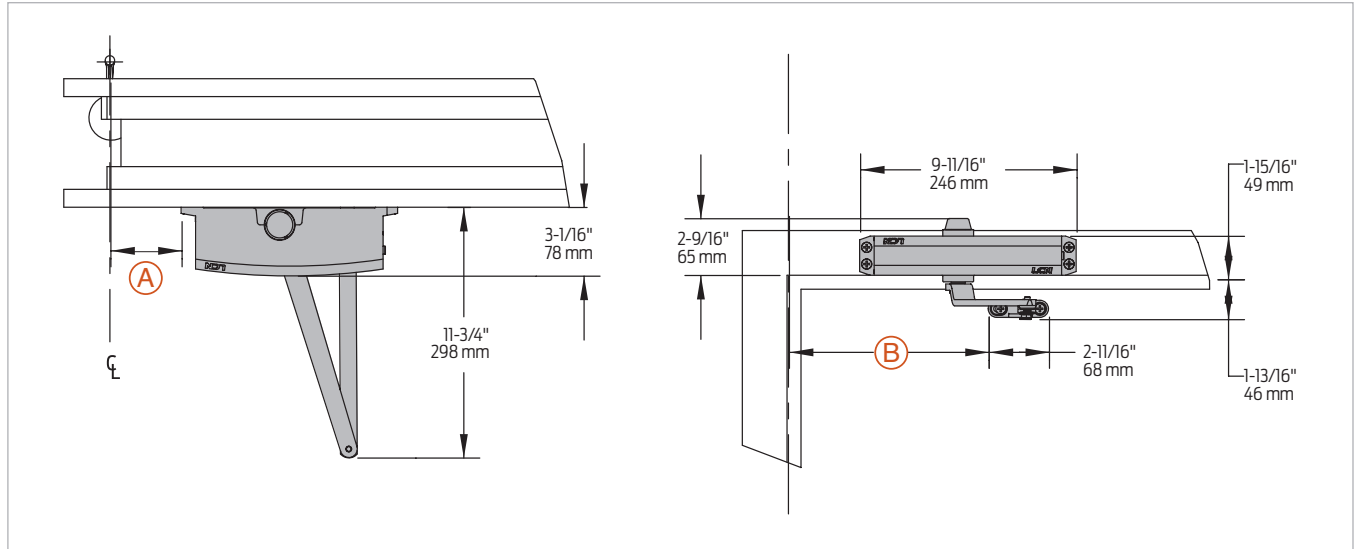


Mounting details

Top jamb (push side) mounting



| | | | |
|-----------------|--|--|---------|
| Butt hinges | Should not exceed 5" (127 mm) in width | | |
| Auxiliary stop | Recommended at hold open point or where a door cannot swing 180° | | |
| Reveal | Arm type | Maximum reveal | Opening |
| | Regular Arm | 0" to 5" | 180° |
| | Long Arm | 4" to 8" | 165° |
| | Hold Open Arm | 0" to 2 3/4" | 180° |
| | Hold Open Long Arm | 2" to 6 1/2" | 180° |
| Top rail | Requires 1 3/4" (44 mm) minimum. 2 1/2" (64 mm) minimum with closer on plate, 1250-18 | | |
| Head frame | Less than 1 3/4" (44 mm) requires plate, 1250-18. For flush ceiling condition with 2" (51 mm) head frame, use plate, 1250-18. (Plate requires 1 3/8" (35 mm) minimum.) | | |
| Maximum opening | 100°: | A = 7 3/16" (183 mm) B = 12 15/16" (329 mm) | |
| | 101° to 120°: | A = 5 11/16" (144 mm) B = 11 7/16" (291 mm) | |
| | or *121° to 180°: | A = 3 1/16" (78 mm) B = 8 15/16" (227 mm) | |

Note: Hold open points up to maximum opening with Hold Open Arm.
 * Frame and trim permitting.