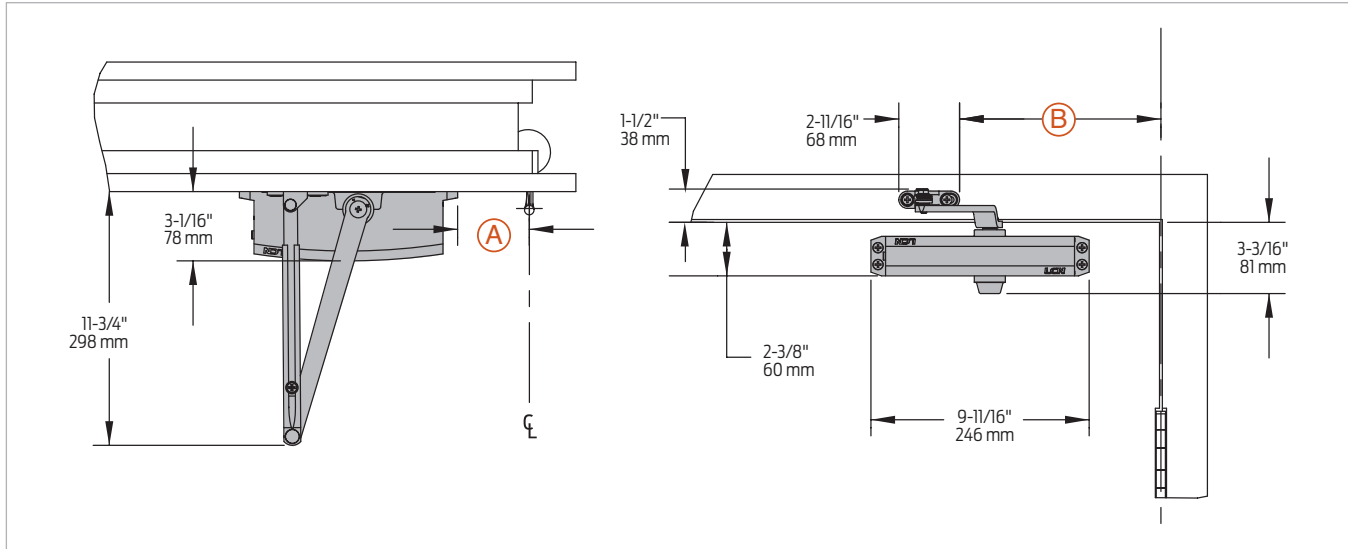


Mounting details

Hinge (pull) side mounting



Butt hinges	Should not exceed 5" (127 mm) in width
Auxiliary stop	Recommended at hold open point or where a door cannot swing 180°
Reveal	Should not exceed 3/4" (19 mm) for regular arm or 1/2" (13 mm) for Hold Open Arm (H)
Top rail	Less than 2 3/8" (60 mm) requires plate, 1250-18
Clearance	3 1/16" (78mm) behind door required for installation
Maximum opening	100°: A = 6 11/16" (170mm) B = 12 7/16" (316 mm)
	101° to 120°: A = 5 11/16" (144mm) B = 11 7/16" (291 mm)
	or 121° to 180°: A = 3 1/16" (78 mm) B = 8 15/16" (227 mm)

Note: Hold open points up to maximum opening with Hold Open Arm.
* Frame and trim permitting.