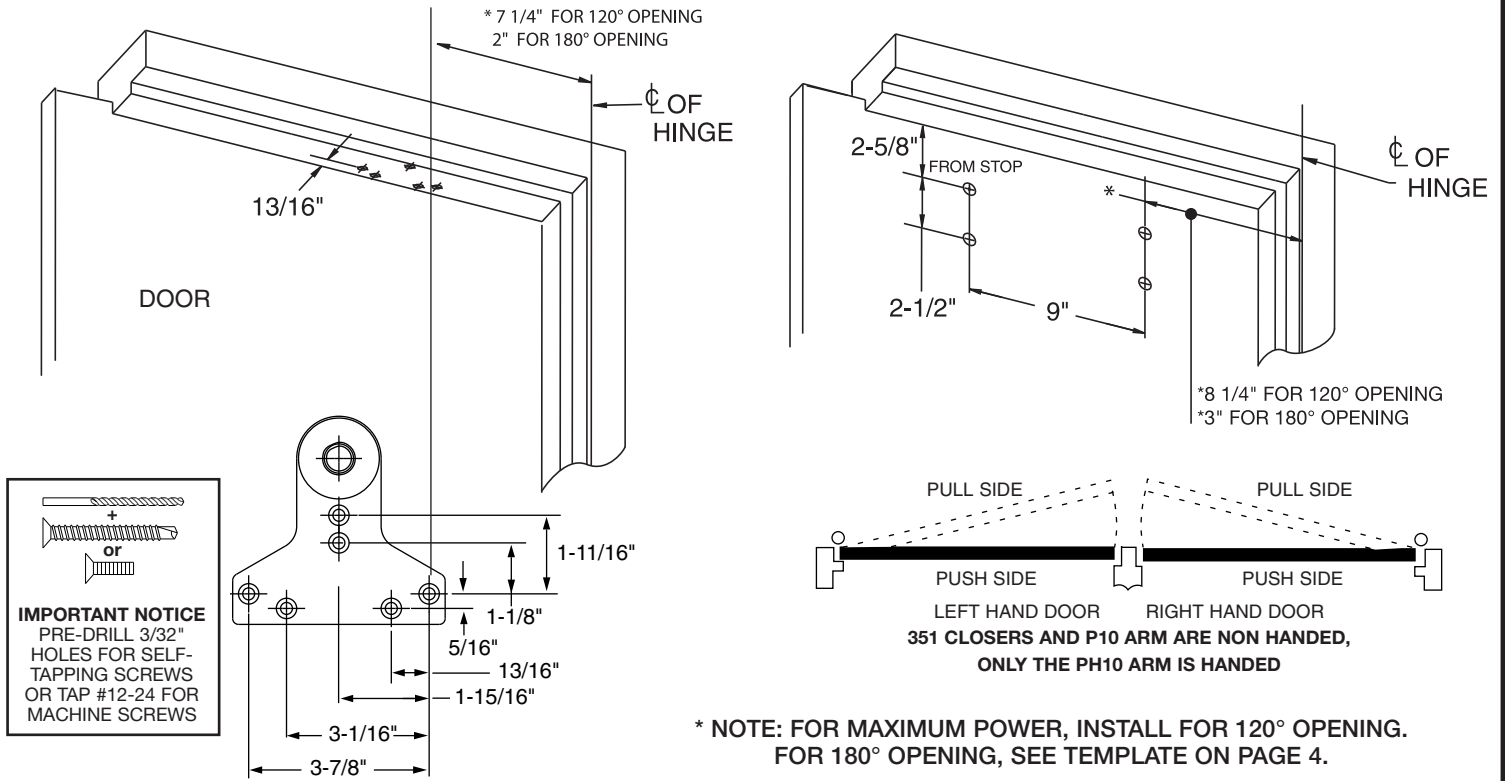


351 DOOR CLOSER WITH P10/PH10 HOLDER ARM INSTALLATION INSTRUCTIONS

351 SERIES ADJUSTABLE FROM SIZE 1 THRU 6
CAUTION: FAILURE TO INSTALL OR ADJUST PROPERLY MAY RESULT IN INJURY OR DAMAGE.
FOR ASSISTANCE, CALL SARGENT AT 1-800-727-5477.

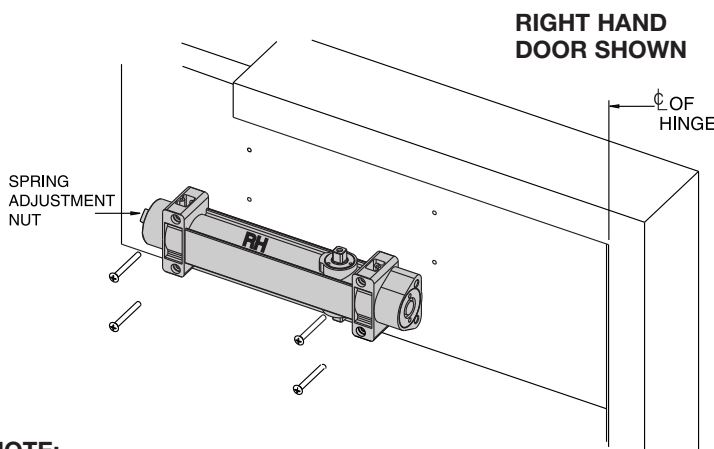


1 LOCATE AND MARK HOLES USING FULL SIZE TEMPLATE OR MEASURE AS SHOWN BELOW.
RIGHT HAND SHOWN, LEFT HAND OPPOSITE.



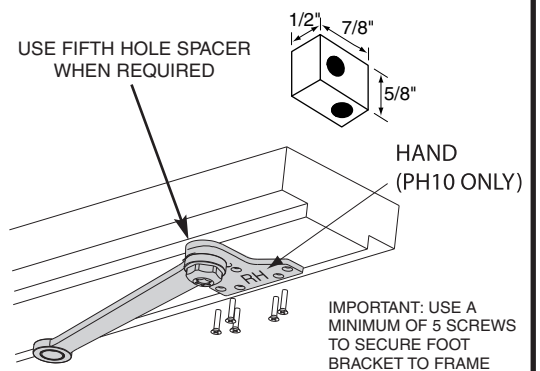
* NOTE: FOR MAXIMUM POWER, INSTALL FOR 120° OPENING.
FOR 180° OPENING, SEE TEMPLATE ON PAGE 4.

2 INSTALL DOOR CLOSER TO DOOR WITH SPRING ADJUSTMENT NUT AWAY FROM HINGE.

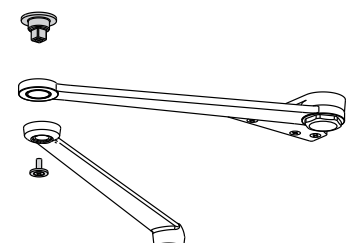


NOTE:
351 CLOSER BODIES ARE NON-HANDED. IT IS IMPORTANT THAT THE CLOSER BODY IS INSTALLED WITH "RH" SYMBOL AT TOP FOR RIGHT HAND DOORS, "LH" SYMBOL AT TOP FOR LEFT HAND DOORS.

3 ATTACH FOOT BRACKET TO DOOR STOP.



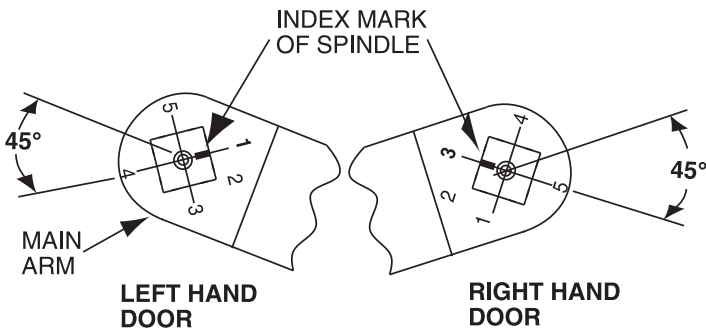
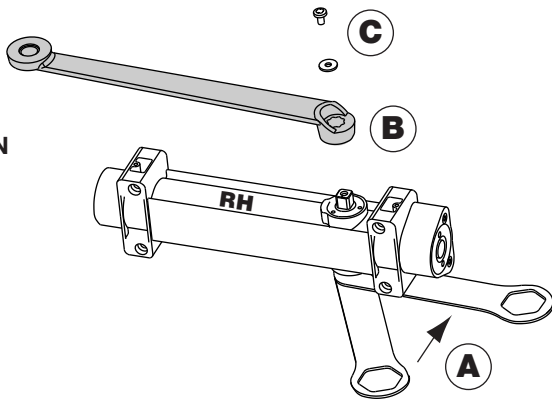
3A ALTERNATE: PREASSEMBLE ARM PRIOR TO ATTACHING TO STOP



Copyright © 1993, 1995, 2001, 2006, 2008 Sargent Manufacturing Company, an ASSA ABLOY Group company. All rights reserved. Reproduction in whole or in part without the express written permission of Sargent Manufacturing Company is prohibited.

- 4** * A. ROTATE BOTTOM SPINDLE 45° WITH WRENCH
 B. ASSEMBLE MAIN ARM WITH INDEX MARK POSITIONED AS SHOWN
 C. SECURE WITH SCREW AND WASHER

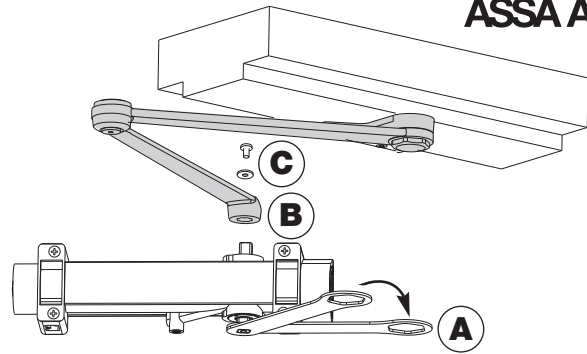
RH SHOWN
 LH HAND
 OPPOSITE



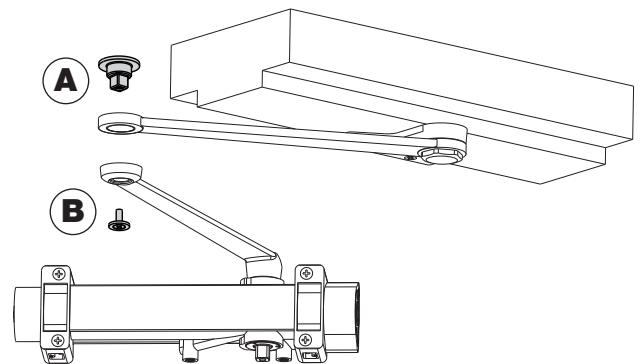
!! WARNING: IF NOT PROPERLY INDEXED, DOOR CLOSER WILL NOT FUNCTION PROPERLY. !!

- 4A** ALTERNATE METHOD:
 ATTACH PREASSEMBLED ARM

SARGENT
ASSA ABLOY

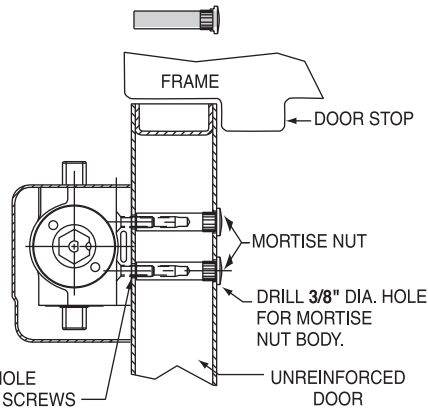


- 5** A. OPEN DOOR AND INSTALL PIVOT AS SHOWN
 B. USE SCREW TO SECURE PIVOT AND ARMS AS SHOWN



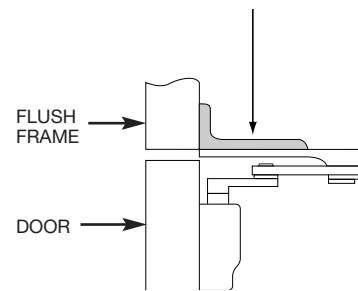
ACCESSORIES

OPTIONAL: USE MORTISE NUTS (#4TB)
 WHEN THRU-BOLTING IS REQUIRED.

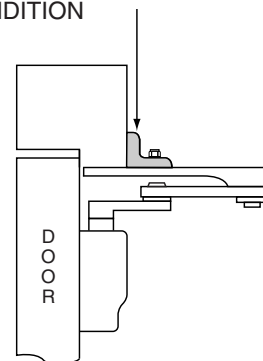


SEE PAGE 1
 FOR
 TEMPLATING
 DIMENSIONS

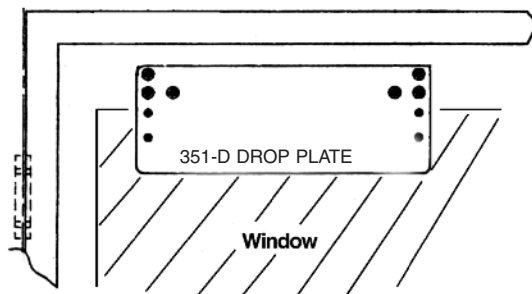
**125 VF BRACKET FOR FLUSH FRAME
 AND DOOR CONDITION**



**125 V BRACKET FOR NARROW FRAME
 CONDITION**



351-D DROP PLATE USED WITH NARROW TOP RAILS



6

Adjusting Closing Speeds

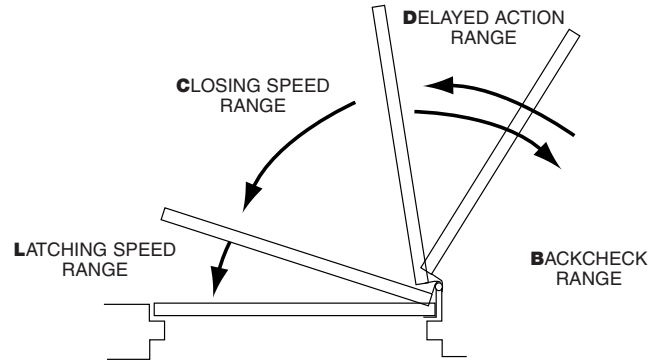
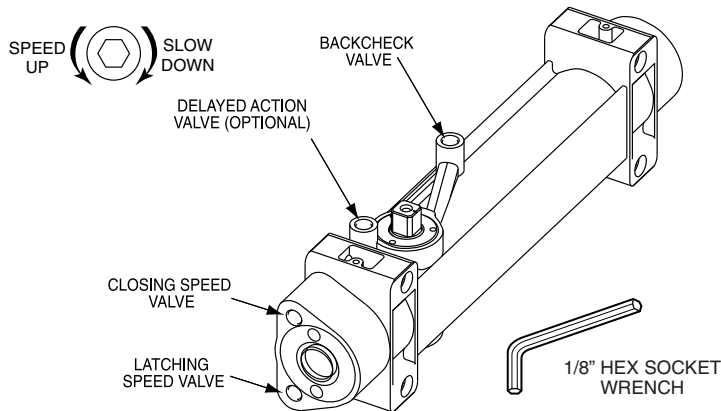
Adjust door speed and latching speed valves to achieve the desired closing time. Recommend 6 seconds minimum from 90° to the closed position.

If Backcheck is required, adjust valve to achieve a slight cushioning effect. Auxiliary stop required.

If closer is equipped with delayed action, regulate valve to achieve the desired delay.

SARGENT

ASSA ABLOY



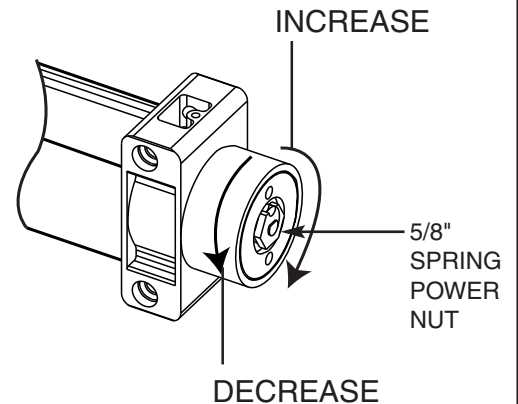
7

Adjust closing power to the minimum required to reliably close and latch door.

- If door is hard to open, decrease power slightly.
- If door does not latch, increase power as required.
- Use the chart as a starting point.
- Doors adjusted with high closing power to overcome strong draft conditions may exceed ADA standards.

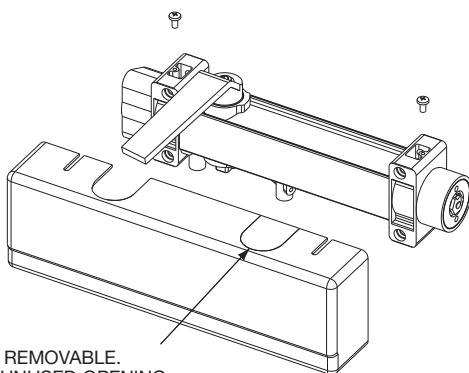
NUMBER OF TURNS OF SPRING POWER ADJUSTING NUT

DOOR WIDTH (INCHES)	EXTERIOR DOORS	♿ INTERIOR DOORS
24-30	TURN nut 1-3 ↙	TURN nut 1-3 ↙
30-36	FACTORY SET	FACTORY SET
36-42	TURN nut 1-4 ↘	TURN nut 1-3 ↘
42-48	TURN nut 7-9 ↘	TURN nut 4-6 ↘



8

INSTALL COVER AS SHOWN

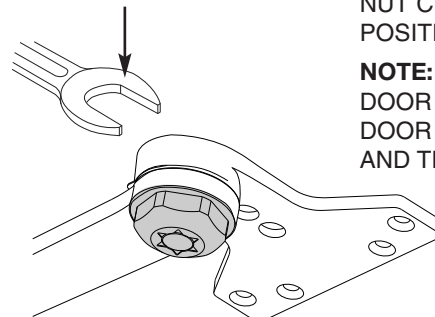


INSERT IS REMOVABLE. PLACE IN UNUSED OPENING

9

ADJUSTMENT OF HOLD OPEN ARM (PH10 ARM ONLY)

1-3/8" WRENCH

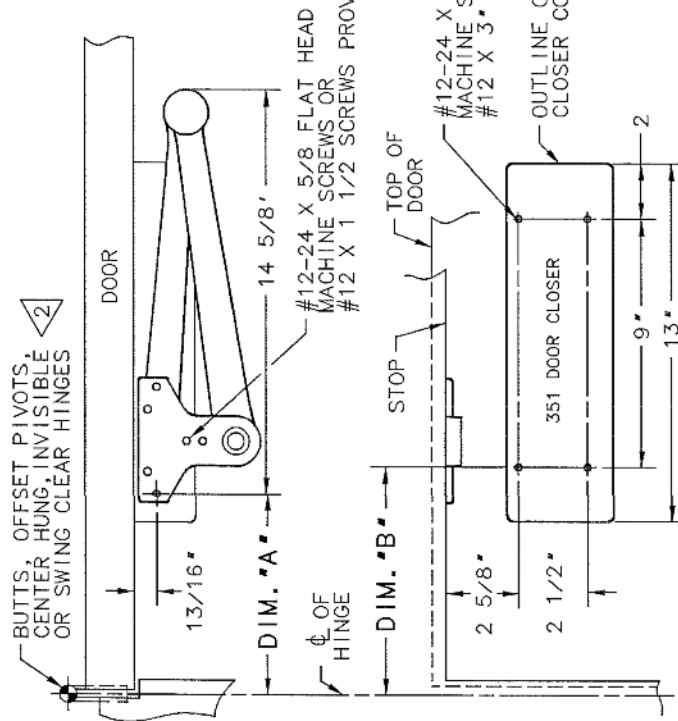


SLIGHT TIGHTENING OR LOOSENING OF HOLD OPEN NUT CHANGES HOLDING POSITION OF DOOR

NOTE: ALWAYS USE A DOOR STOP TO STOP DOOR PROTECTING WALL AND TRIM

MAX. DEG. OF OPENING	"A"	"B"
120°	7 1/4"	8 1/4"
180°	2"	3"

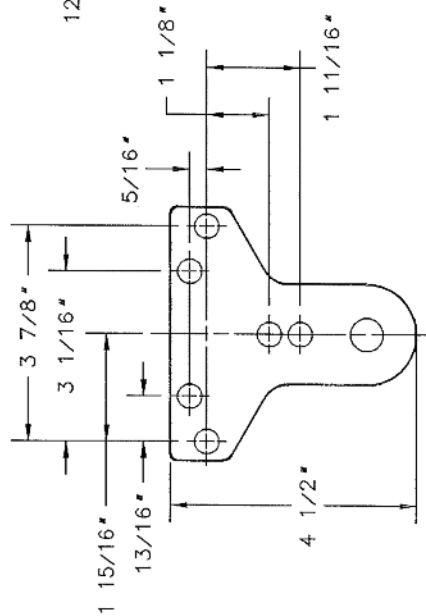
BUTTS, OFFSET PIVOTS, CENTER HUNG, INVISIBLE OR SWING CLEAR HINGES



#12-24 X 5/8 FLAT HEAD MACHINE SCREWS OR #12 X 1 1/2 SCREWS PROVIDED

#12-24 X 2 1/4 FLAT HEAD MACHINE SCREWS OR #12 X 3 SCREWS PROVIDED

OUTLINE OF CLOSER COVER



P10 FOOT BRACKET DETAIL

125V BRACKET

USE 125V BRACKET FOR NARROW STOP SINGLE RABBETED FRAMES

3" MIN.

SPACER MAY BE REQUIRED FOR NARROW STOPS

P10 FOOT BRACKET

NOTES:

1. REINFORCE METAL DOORS AND FRAMES PER ANSI A250-8 AND SDI-100 STANDARDS, 12 GAUGE RECOMMENDED.
2. DIM. "A" AND "B" ARE TAKEN FROM THE EDGE OF THE DOOR FOR INVISIBLE HINGES.
3. FOR THIN RAIL DOORS, USE 351-D PLATE, SEE TEMPLATE A6745.
4. LEFT HAND DOOR SHOWN. RIGHT HAND OPPOSITE.

SARGENT Manufacturing Company
100 Sargent Drive New Haven, CT 06511

RELEASE DATE
DRAWN BY: OS
TEMPLATE NO.
A7378 C

DATA SHEET: 351 SERIES DOOR CLOSER WITH P10 OR PH10 HEAVY DUTY PARALLEL ARM