

HSA-HPK Aperio® Power Kit

SECURITRON
ASSA ABLOY

Installation & Operating Instructions

Experience a safer
and more open world

Product Components

Diagram 1 Product Components

HSA-HPK

(Hard Power Kit)

A Power Adapter

B Jumper

C Battery Contact*

*Included Battery Contact
required for DR100 only

HSA-HE

(Heating Element)

D Alcohol Swab

E Heating Element

HSA-CWK

(Cold Weather Kit)

A Power Adapter

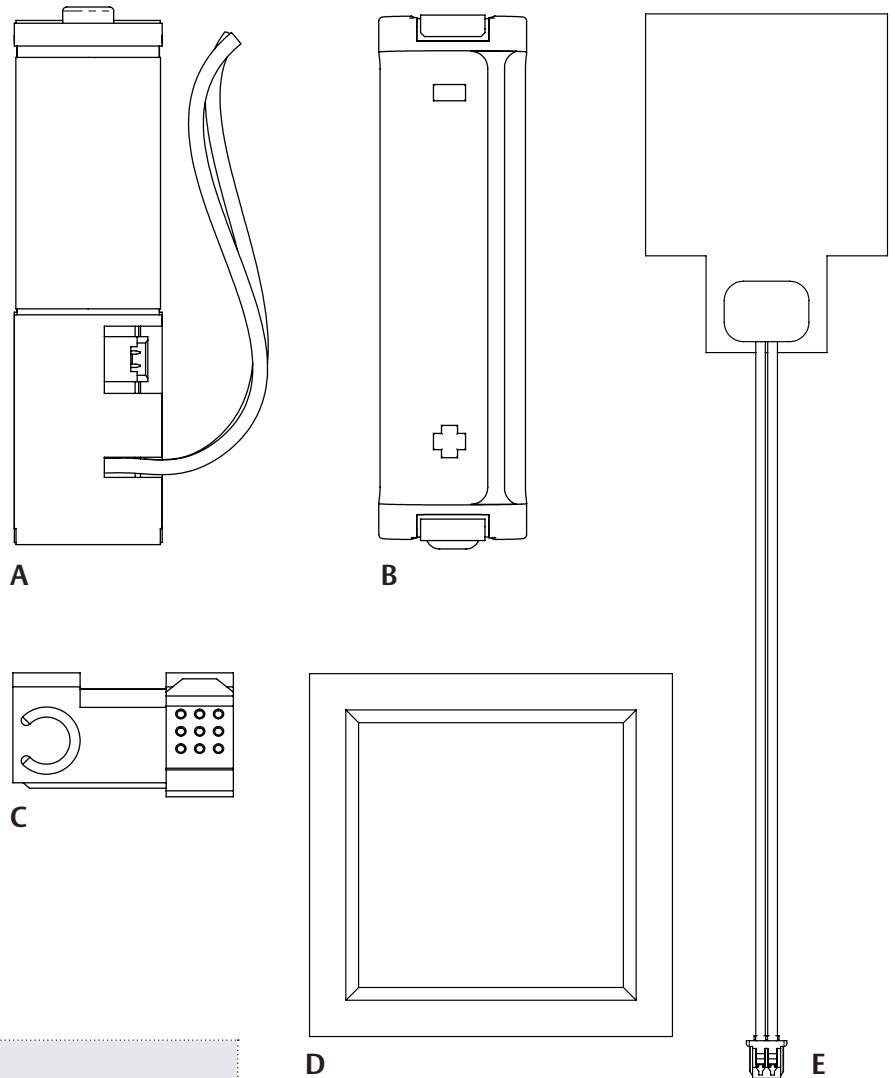
B Jumper

C Battery Contact*

*Included Battery Contact
required for DR100 only

D Alcohol Swab

E Heating Element



Product Specs

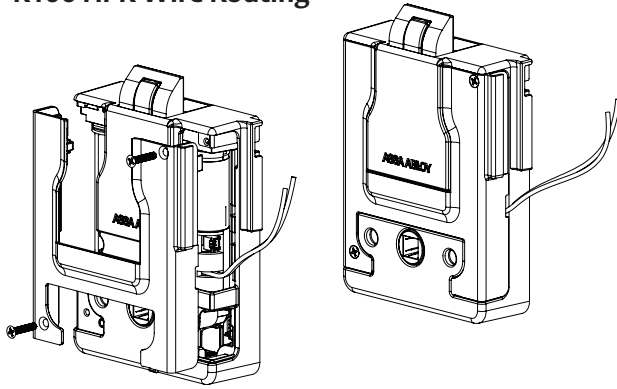
Parameter	Values
Voltage Input	12 – 24 VDC
Voltage Adapter Output	3.3 VDC
Voltage Heating Element Output	Matches input voltage
Max Operating Current Draw	Varies by product, see product specifications
Max Operating Current Draw — with Heatet	120 mA at 12 VDC 240 mA at 24 VDC
Storage Temperature	-40° to 185° F (-40° to 85° C)
Max Operating Relative Humidity	85 +/- 5% RH at 86° F +/- 5% F
Operating Temperature w/HSA-HE/CWK Installed	-31° to 150° F (-35° to 66° C)
Operating Temperature w/HPK only	Varies by product, see product specifications
Minimum Firmware Version Required*	Aperio 3.14 and Latest Aperio Programming Application Version
Max Power Wire Distance	250ft @ 18AWG 1 A Power Supply

*To get the latest Aperio Programming Application Version go to: www.IntelligentOpenings.com

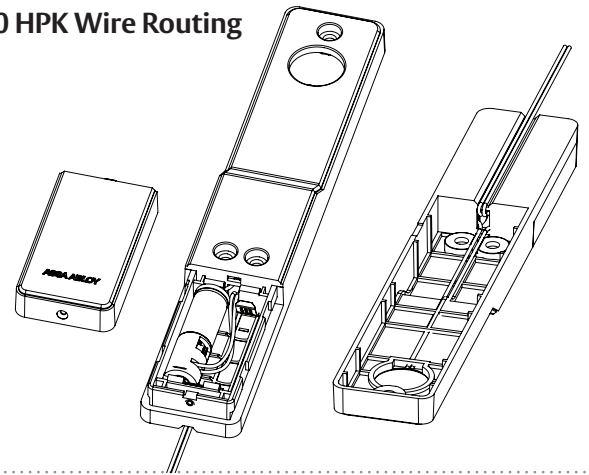
Hard Power Adapter K100/KS100 Cabinet Lock Installation

- 1 **REMOVE** battery cover if previously installed.
- 2 **REMOVE** previously installed batteries (if applicable).
- 3 **INSTALL** AA Power Adapter into battery pocket as shown. Ensure adapter is installed in the proper orientation.
- 4 **INSTALL** AA Jumper into battery pocket as shown. Ensure jumper is installed in the proper orientation to allow room for cable routing.
- 5 **ROUTE** Power Adapter wires as shown.
- 6 **SECURE** battery cover to lockbody/battery bracket and mount per the product installation instructions.
- 7 **CONNECT** the positive (red) and negative (black) wires of the Hard Power Adapter to a 12-24 VDC power supply.

K100 HPK Wire Routing

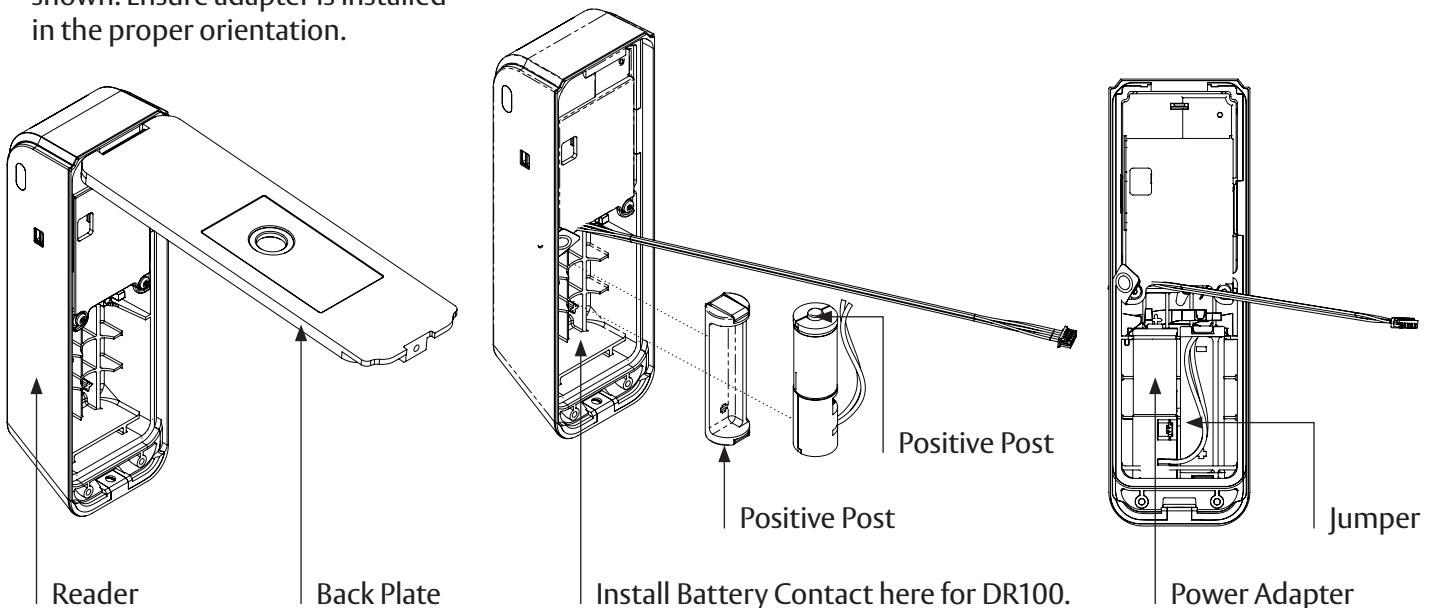


KS100 HPK Wire Routing



Hard Power Adapter DR100/ES100/DL100 Reader Installation

- 1 **REMOVE** back plate if previously installed.
 - 2 **REMOVE** previously installed batteries (if applicable).
 - 3 **INSTALL** AA Power Adapter into left side of battery pocket as shown. Ensure adapter is installed in the proper orientation.
 - 4 **INSTALL** AA Jumper into right side of battery pocket as shown. Ensure jumper is installed in the proper orientation to allow room for cable routing.
- NOTE: For DR100 only—install provided Battery Contact (Item C) prior to the installation of Power Adapter and Jumper.**

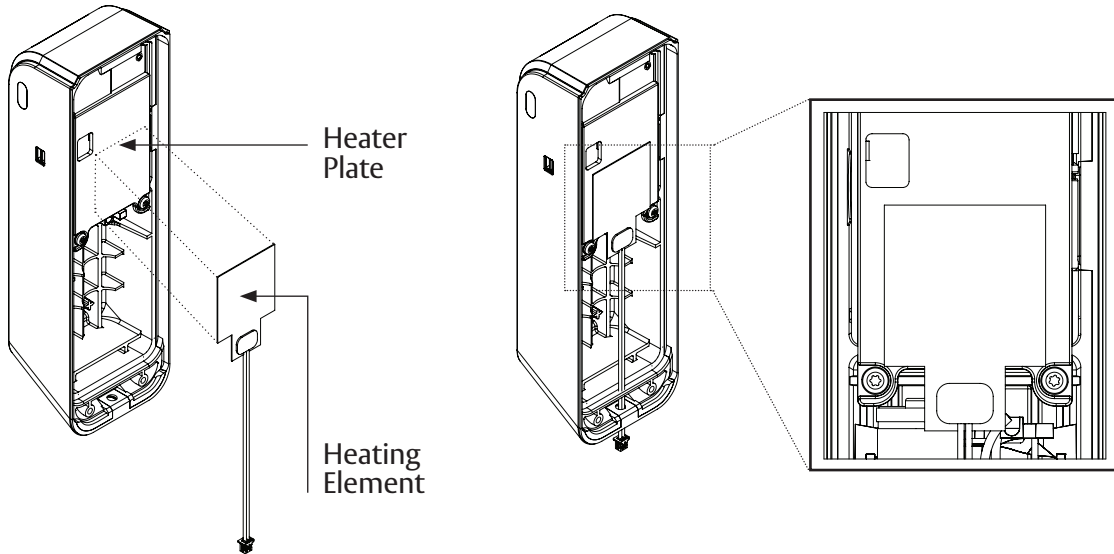


Heating Element Installation

1 **CLEAN** surface of heater plate with provided alcohol wipe.

2 **APPLY** heating element to plate by peeling off adhesive backing and pressing heating element firmly onto the heater plate.

NOTE: Adhesive is permanent, ensure heater is placed inside of the pocket on the heater plate and no part of the heating element is outside of this area when installing.



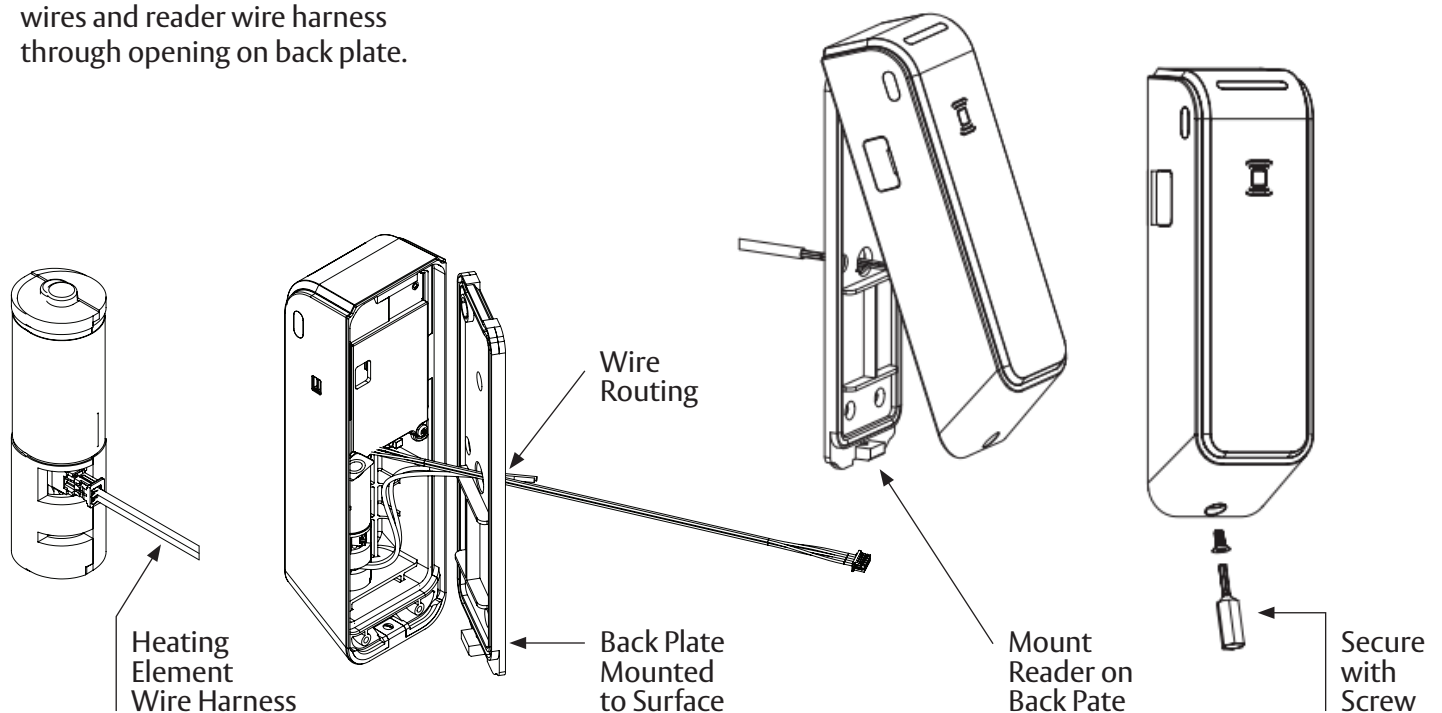
Connecting the Heating Element to the Hard Power Adapter

1 **PLUG** wire from heater wire harness into plug on AA Power Adapter as shown.

3 **SECURE** back plate to reader and mount reader per the product installation instructions.

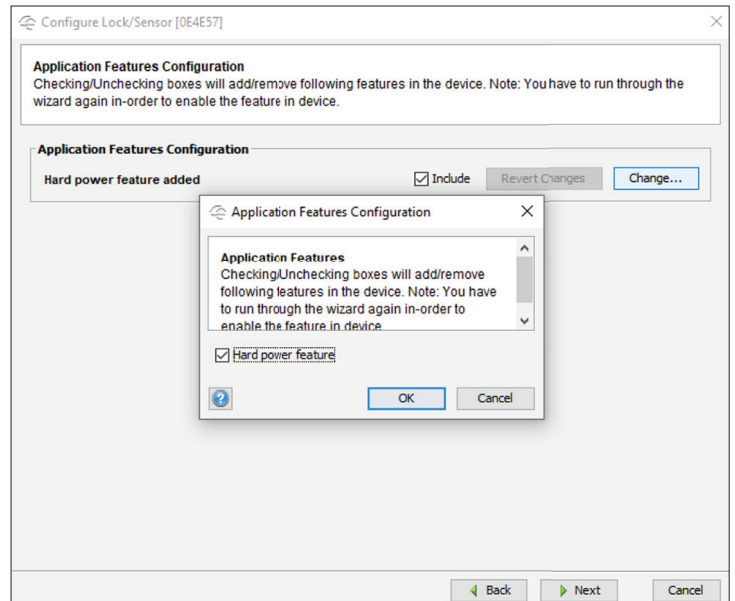
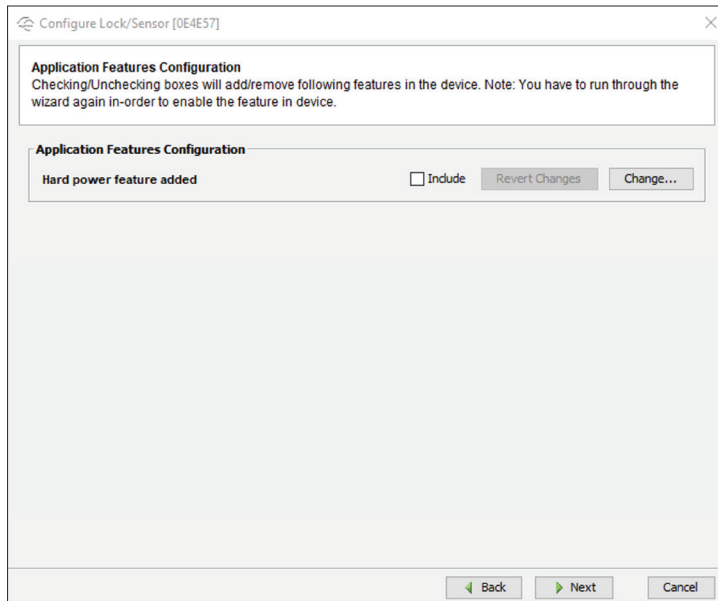
4 **CONNECT** the positive (red) and negative (black) wires of the Hard Power Adapter to a 12-24 VDC power supply.

2 **ROUTE** AA Power Adapter wires and reader wire harness through opening on back plate.



Aperio PAP Tool Changes

- 1 In order for the Aperio product to switch from batteries to the hard powered adapter, a setting needs to be changed inside the PAP tool.
NOTE: Firmware version 3.14 or greater is needed to utilize this feature.
- 2 **Applicable Note** — This setting is only available after import of device dependent features using the Import Application Feature Data function.
See Aperio Program Application Help Section: Import Application Feature Data.
- 3 **Enable Hard Power** — If the lock is equipped with hard power this setting will disable the Aperio platform’s state of charge calculation and low battery warnings. Enable this setting to avoid confusion when monitoring a lock with a DC power option installed.



Warranty

For information on warranty coverage and replacement options, please visit securitron.com/warranty