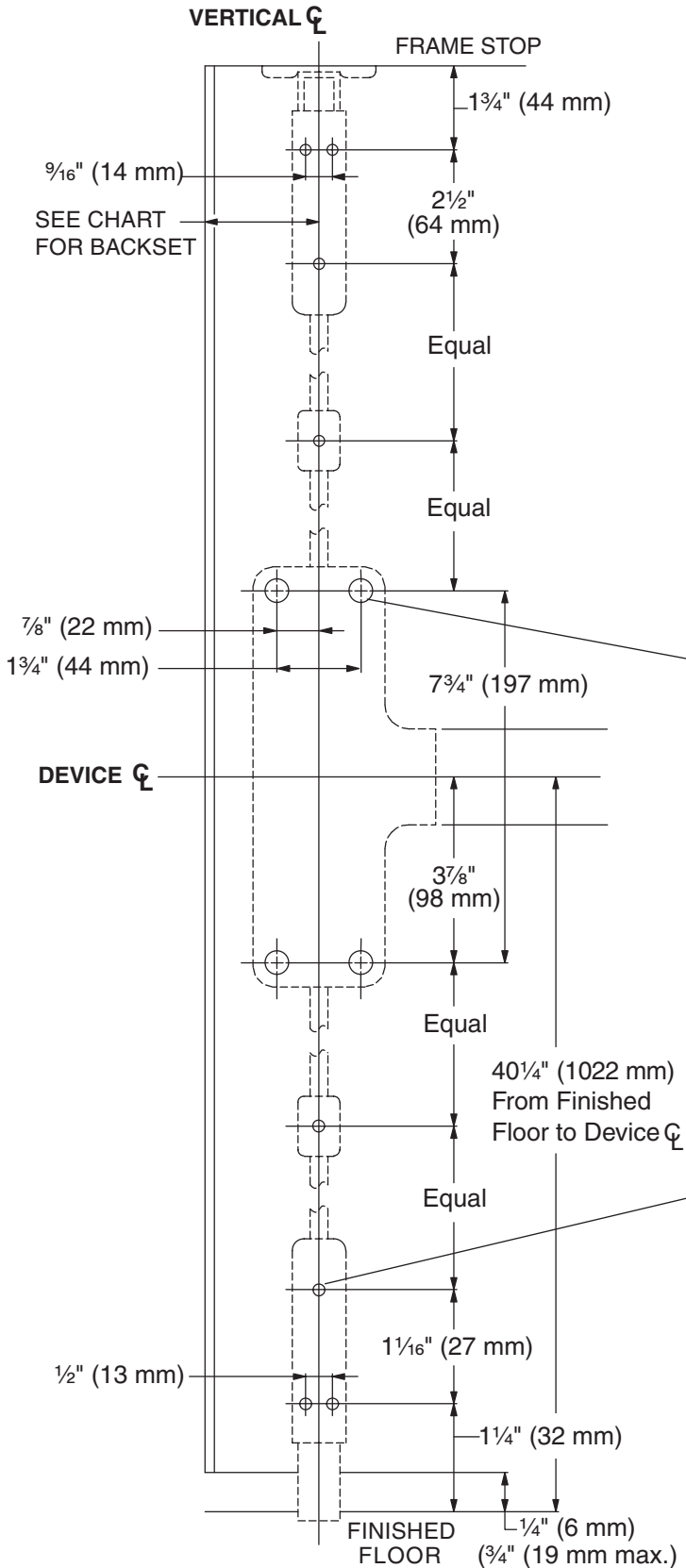


(F)XX-V Vertical Device

Surface Vertical Rod Panic and Fire Exit Device, Wood Door, LHR Shown, RHR Opposite



BACKSET		
Installation	3 1/2" Min. Stile	Flush Door
Two Vertical Rod Devices	1/2 of stile	2 3/4"
Vertical Rod x Mortise Device	2 3/4"	2 3/4"
Single Door	1/2 of stile	2 3/4"
Vertical Rod x Rim Device (571 strike)	2 3/4"	2 3/4"
Vertical Rod x Rim Device (571-A strike)	2 1/4"	2 1/4"

Note: 571 & 571-A strikes are not approved for fire rated applications.

- For exit only device or device with non-thrumbing trim, drill 9/64" (4 mm) diameter hole x 1 1/4" (32 mm) deep, or refer to Template W-4014 for sexbolt preparation (4 holes).
- For device with thrumbing trim, refer to trim template.
- Fire rated devices require sexbolts.

- Drill 9/64" (4 mm) diameter x 1 1/4" (32 mm) deep, or refer to Template W-4014 for sexbolt preparation (8 holes).
- Fire rated devices require sexbolts.

- For Less Bottom Rod (LBR) application (20 minute rating), refer to Template W-5494 for auxiliary fire latch preparation and omit bottom latch preparation.
- For outside trim, see trim template for door preparation.
- For sexbolt preparation, refer to Template W-4014.

TEMPLATE
W-1415-a