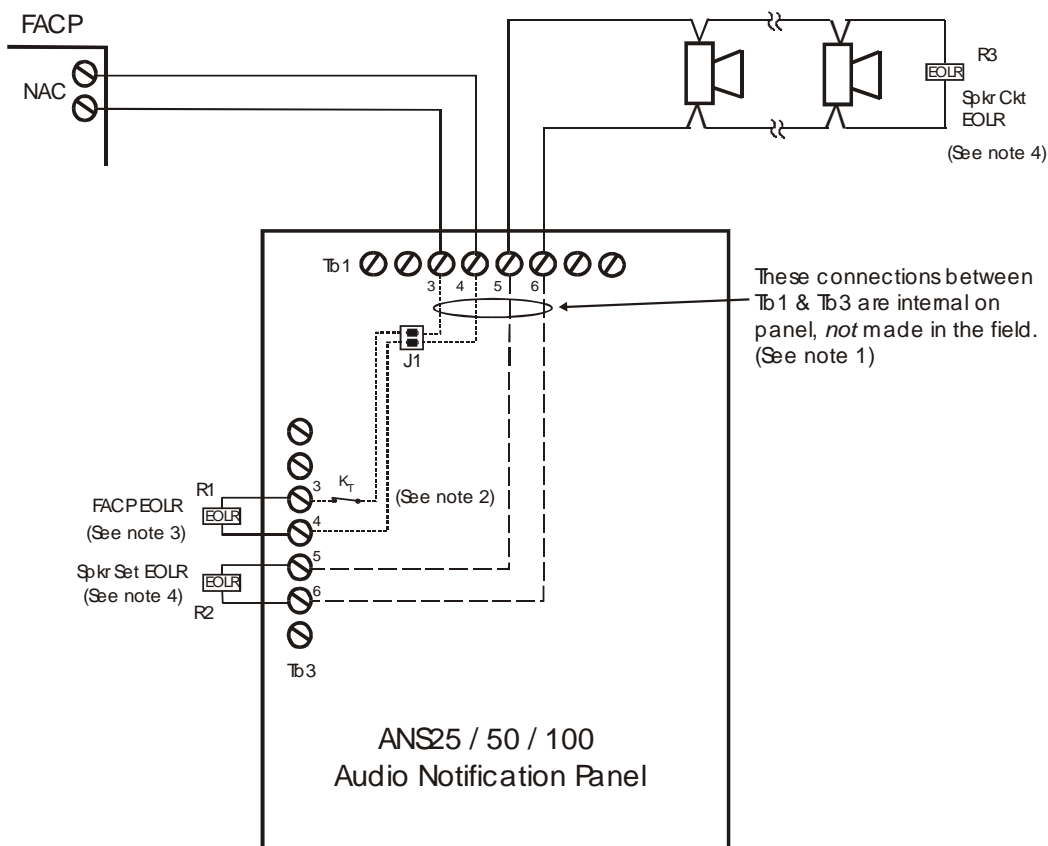


AEBN: 120210-6

Date: December 2, 2010

Subject: ANS Audio Notification Panel End of Line Resistors

The following diagram shows proper end of line resistor placement for systems with one, single zone audio notification panel:



Notes:

- 1) Both jumpers on J1 must be installed to complete Tb1-3 & 4 to Tb3-3 & 4 internal connection.
- 2) K<sub>T</sub> is trouble relay on audio panel. Contact will open upon audio panel trouble condition, causing a trouble on fire alarm panel's NAC.
- 3) R1 is eol resistor for fire alarm panel's NAC.
- 4) R2 eol resistor must match the value used for the speaker circuit's eol resistor (R3). If speaker circuit uses a 10K ohm eol, than R2 must also be 10K ohms. Value of resistor can be between 2.2K and 100K ohms.