

Installation Instructions for Catalog Series 94DDV2(*)-G1 AdaptaBeacon® Signal

General Information

The catalog series 94DDV2(*)-G1 Adaptabeacon signal is a diode polarized, UL listed strobe light in a NEMA 4X Enclosure. It is designed for applications requiring electrical supervision of field wiring (Figure 1) and for use in the following hazardous locations:

Class	Division	Group	Operating Temp. Code
I	2	A,B,C,D	T3 (392F, 200C)
II	2	F,G	T6 (185F, 85C)
III			T6 (185F, 85C)

The signal is suitable for indoor or outdoor (weatherproof) installation.

Replacement parts for the signal are available. Refer to the "Replacement Parts" section for details.

Electrical Specifications

Rated Voltage 24V DC
 Current 1.2 Amps

Installation

Install in accordance with the latest edition of the National Electrical Code and local regulations.

- (Figure 2) Release the latch on the clamp ring and remove the ring holding the protective dome to the signal base. Lift the dome straight up off of the signal base. Loosen the three screws in the keyhole slots located in the base of the lens. Turn the lens clockwise and lift it off of the strobe tube support plate. Remove the three screws holding the strobe tube support plate to the signal base; grasp the socket on the strobe tube support plate. Do not touch the glass tube. Carefully lift the support plate off of the signal base.
- Mount the 94DDV2(*)-G1 to 3/4" (19 mm) NPT conduit (not supplied).

⚠ WARNING

To prevent leakage and a potential electrical shock hazard, when installing outdoors, the signal must be mounted with the lens facing directly up.

- Route the field wiring from the power source through the conduit and through the conduit entrance hole in the signal base (Figure 2).
 - Install the signal base on the conduit (Figure 2).
- For non-supervised circuits, connect field wiring to signal wiring using wire nuts (not supplied). Connect the signal's two red positive (+) wire leads to the positive power source wire and connect the signal's two white (-) wire leads to the negative power source wire.
 - For supervised circuits, connect field wiring to signal wiring using wire nuts (not supplied). Connect the signal's two red positive (+) wire leads and two white (-) wire leads to the supervised circuit in accordance with Figure 1.
 - Place the connected wires inside the signal base and reassemble the signal.
 - Turn on the power and verify that the signal operates properly.

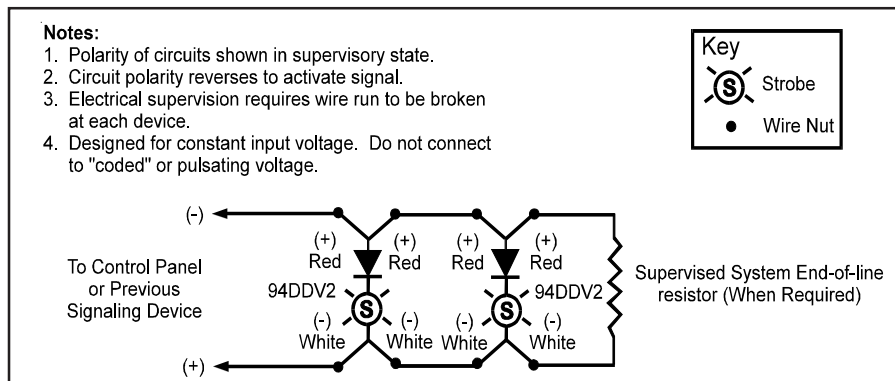
⚠ WARNING

To reduce the risks of igniting hazardous atmospheres and of electrical shock, ensure that power is disconnected before installing the signal.

⚠ CAUTIONS

To prevent damage to the strobe tube, lift the lens straight up and off of the signal.

To prevent damage to the strobe tube, handle the tube only by the base.



Maintenance



WARNING

To reduce the risks of igniting hazardous atmospheres and of electrical shock, ensure that power is disconnected before installing the signal. Do not connect power until installation is complete and unit is tightly assembled and secured.

Cleaning



CAUTION

To prevent damage to the lens, do not use abrasive materials or cleaners.

The signal's lens and dome should be periodically cleaned to maintain optimum light visibility. These items may be cleaned with a soft cloth or sponge using water or a mild detergent solution. Make sure the lens and dome are completely dry before reassembly.

Strobe Tube Replacement



CAUTIONS

To prevent damage to the strobe tube, lift the lens straight up and off of the signal.

To prevent damage to the strobe tube, handle the tube only by the base.

Refer to the "Replacement Parts" section for the required strobe tube.

1. (Figure 2) Disconnect the power and wait five minutes for stored energy to dissipate. Lift the dome off of the signal base. Loosen the three screws in the keyhole slots in the base of the lens. Turn the lens clockwise and lift it straight up and off the strobe tube support plate. Remove the three screws holding the strobe tube support plate to the signal base. Carefully lift the support plate off of the signal base.
2. Remove the tube from the socket by grasping the base of the strobe tube and pulling firmly or by carefully prying between the strobe tube base and the socket.
3. Install the new strobe tube by aligning the key on the strobe tube base with the slot in the socket and then pressing the strobe tube base into the socket.
4. Reassemble the signal.
5. Apply power and verify that the strobe operates.

Replacement Parts

Component	Catalog Number
Xenon strobe tube	92-ST
Dome	94-DC
Lens*	93-L(*)

*Specify color of lens by adding the letter A-amber, B-blue, C-clear, G-green, M-magenta or R-red to the catalog number.

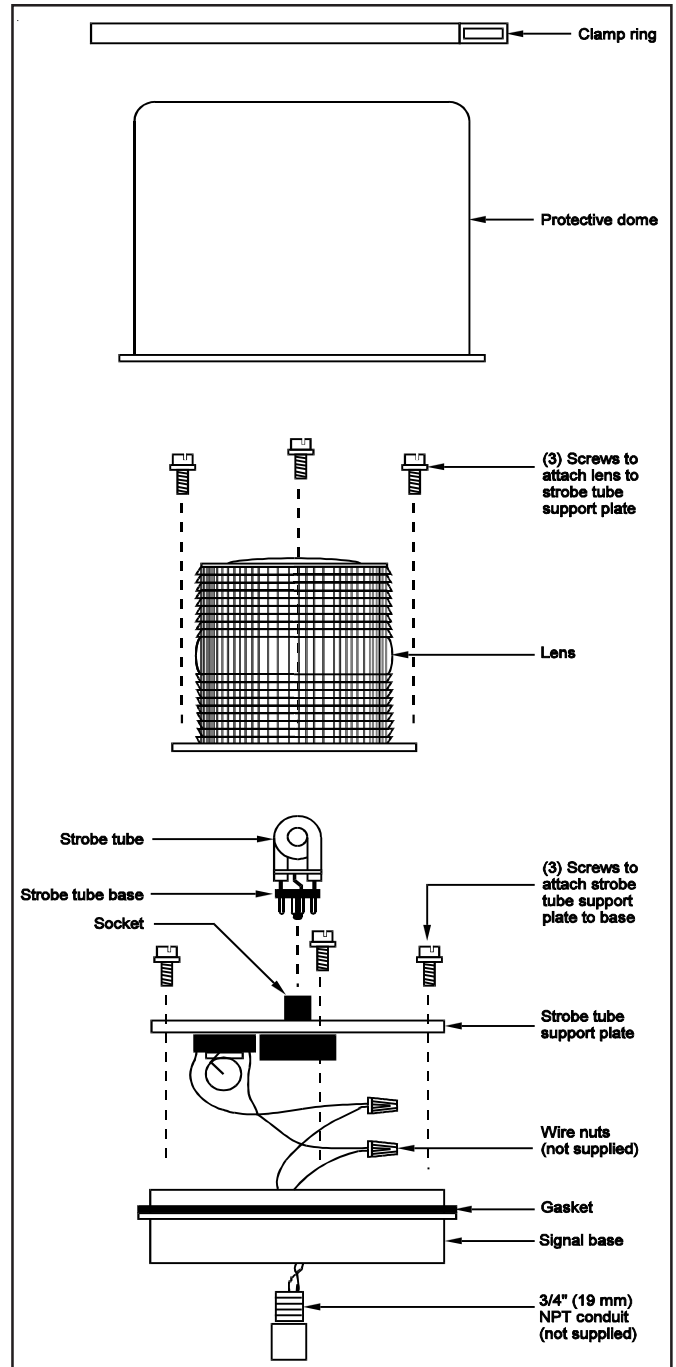


Figure 2. Conduit Mounting of 94DDV2(*)-G1 Signals