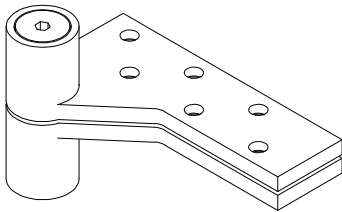


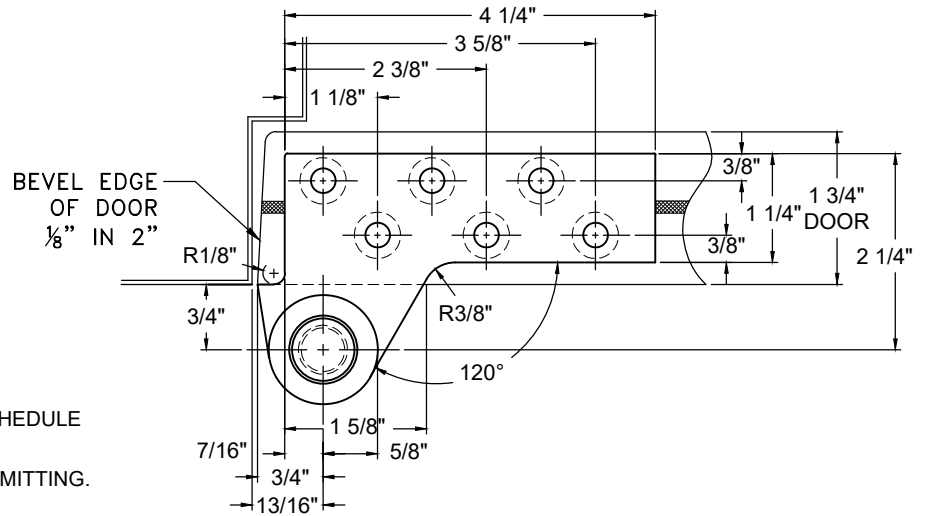
# EXL0180 TOP PIVOT, 3/4" OFFSET, NON-HANDED FOR 1-3/4" LEAD LINED DOORS

## EXL0180 TOP PIVOT



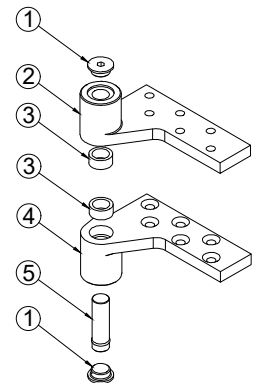
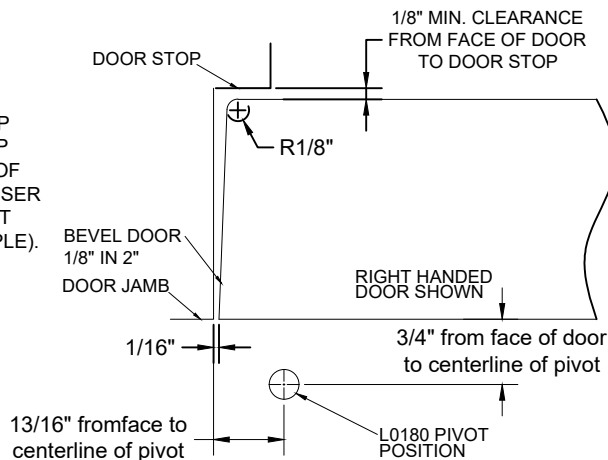
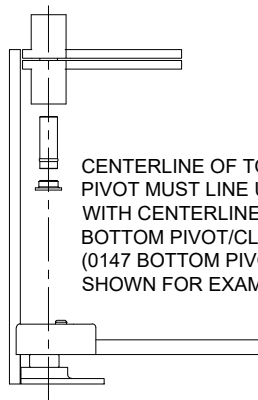
### NOTES:

1. PIVOTS DRILLED FOR 1/4-20 x 3/4 FHMS OR #14 x 2" FHWS.
2. REINFORCING BY OTHERS.
3. IT IS THE DOOR AND FRAME MANUFACTURERS RESPONSIBILITY TO CHECK THE HARDWARE SCHEDULE AND PREP THE DOORS AND FRAMES.
4. MAXIMUM DEGREE OF OPENING, 180°, TRIM PERMITTING.
5. RIGHT HAND SHOWN.
6. ALL DIMENSIONS ARE IN INCHES, UNLESS NOTED OTHERWISE.



### INSTALLATION INSTRUCTIONS

1. MEASURE  $1\frac{3}{16}$ " OUT FROM DOOR JAMB.
2. ALLOW  $\frac{1}{8}$ " MIN CLEARANCE FROM DOOR STOP TO DOOR FACE. MEASURE DOOR THICKNESS AND ADD  $\frac{3}{4}$ ".
3. WHERE THESE LINES INTERSECT DETERMINES THE CENTERLINE OF THE PIVOT POINT.
4. INSTALL EXL0180 DOOR PORTION PER TEMPLATE
5. INSTALL EXL0180 JAMB PORTION PER TEMPLATE.
6. PUSH EXL0180 PIVOT PIN IN PLACE AND SECURELY TIGHTEN 0180 END CAP.



ITEM NO.	QTY.	PART NO.
1	2	0180 END CAP
2	1	EXL0180 JAMB PORTION
3	2	0180 NEEDLE BEARING
4	1	EXL0180 DOOR PORTION
5	1	0180 PIVOT PIN

**Disclaimer:** This template is to be used for installation, as shown, of said product and is not suitable for every application method. Custom applications, where door sizes, weights and conflicting hardware are a factor, need to be addressed with ABH and proper instructions provided. ABH is not liable for failure or performance of the product due to improper installation methods and/or use. Improper use and/or installation of this product will void the standard warranty.

EXL0180-02.DWG