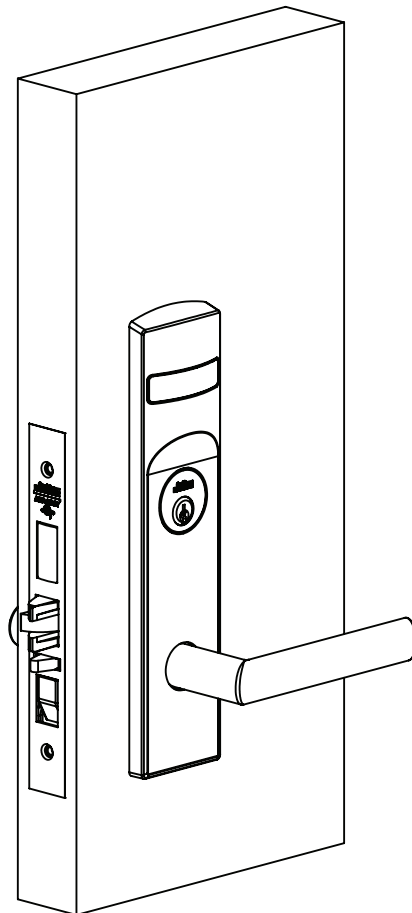


ML2000 Series Mortise Lock

Used with VN Escutcheon Trim
and V Series Indicators



⚠ WARNING

This product can expose you to lead which is known to the state of California to cause cancer and birth defects or other reproductive harm. For more information go to www.P65warnings.ca.gov.

ML2000 Series Mortise Lock

Used with VN Escutcheon Trim and V Series Indicators



ASSA ABLOY

Installation Instructions

TOC	Table of Contents
1	Tools Required3
2	Indicator Variants.....3
3	Mortise Lock Handing Instructions.....4
4	Rehanding Indicator (if necessary).....5
5	Installation Instructions6
a	Prepare Door.....6
b	MUSÉO® LEVERS ONLY: Attach Levers to Escutcheons.....6
c	Install Lock and Outside Trim6
d	Install Cylinder7
e	Install Inside Trim.....7
f	STANDARD LEVERS ONLY: Attach Levers.....8
g	Install Outside Front9
h	Perform Functional Check9
6	Indicator Parts..... 10

ML2000 Series Mortise Lock

Used with VN Escutcheon Trim and V Series Indicators

**Corbin
Russwin**

ASSA ABLOY

Installation Instructions

1

Tools Required

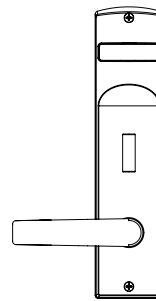
- Phillips screwdriver (#1, #2 and #3 sizes)
- Flat-blade screwdriver
- 1/8" Allen wrench - standard trim
- 3/32" - Muséo®
- 7/64" - ML20900/ML20600 - NAC
- 3/8" dia. drill bit

2

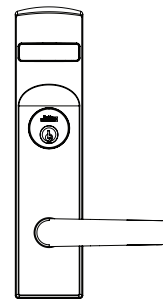
Indicator Variants

Depending on function and option ordered, indicators are provided in the following variations. These instructions detail how to install with cylinder, however other variations follow similar instructions. (Figure 1)

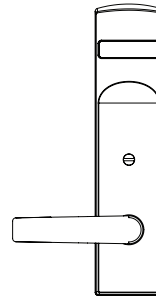
Contact factory with any questions.



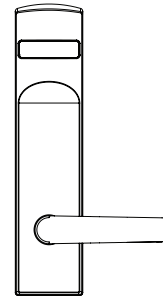
Thumbturn - For installation on inside of door.



Cylinder - For installation on inside or outside of door.



Coin Turn - For installation on outside of door.



No input/blank - For installation on inside of door.

Figure 1

ML2000 Series Mortise Lock

Used with VN Escutcheon Trim and V Series Indicators

Installation Instructions

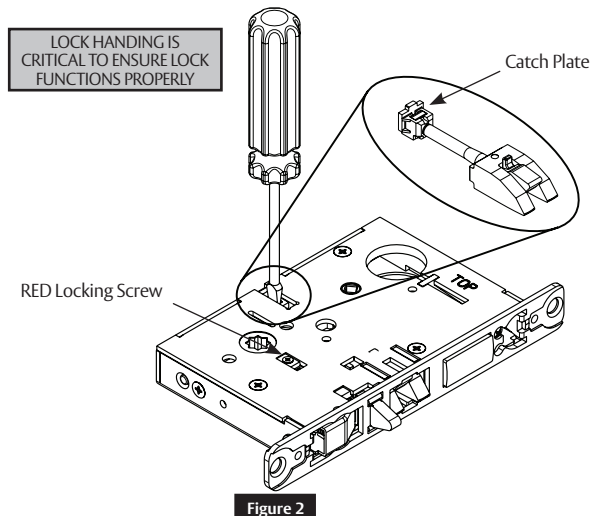
Corbin
Russwin

ASSA ABLOY

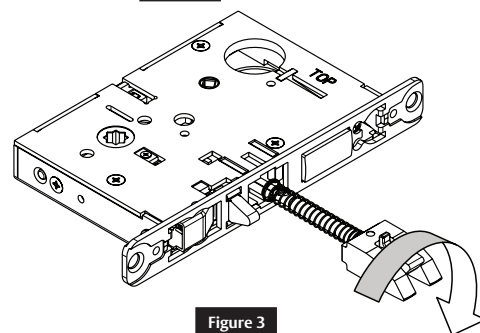
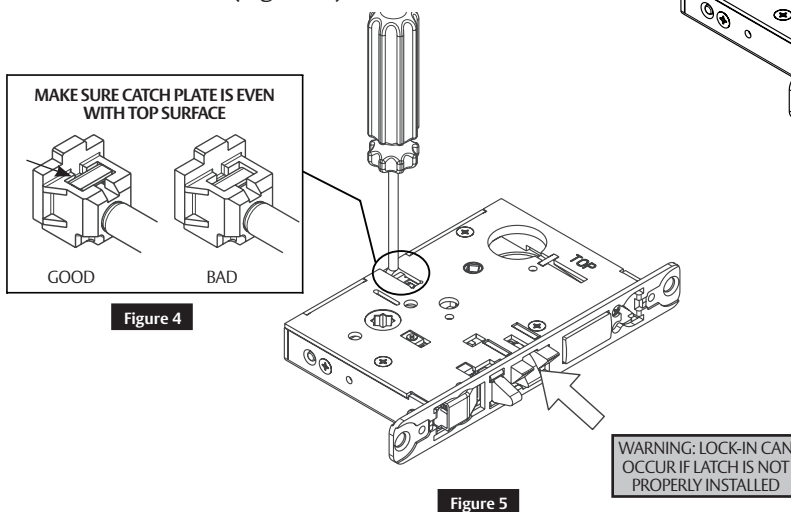
3

Mortise Lock Handing Instructions

1. Move red locking screw to side of lock body being locked.
2. Push in latch. Depress catch plate with screwdriver. (Figure 2)
3. Pull latch out of lock body and turn latch over. (Figure 3)



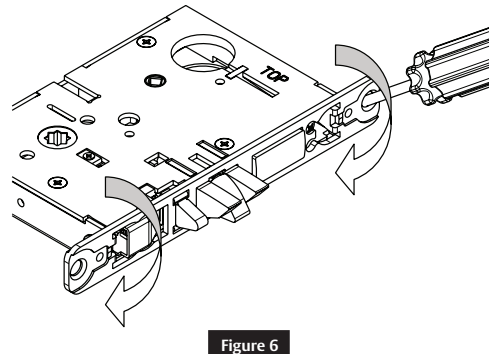
4. Push in latch while holding screwdriver behind latch tail. (Figure 5)



Note:

Ensure that latch is pushed in until catch plate is no longer depressed. (Figure 4)

5. Rotate lock front to match bevel of door as shown. (Figure 6)



Installation Instructions

4

Rehanding Indicator (if necessary)

1. Verify hand and bevel of door. (Figure 7)

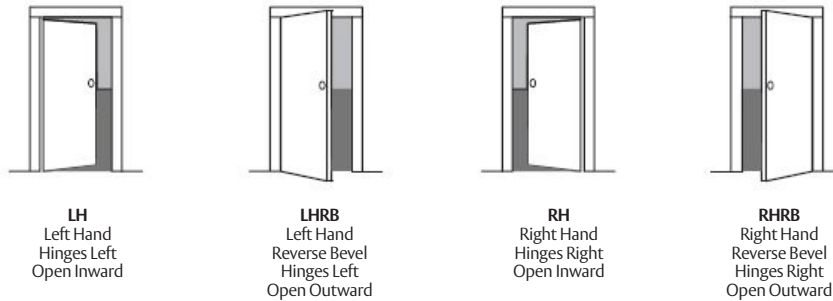


Figure 7

Note:

Stand on outside of locked door when determining door hand.

2. Remove indicator back plate by pulling out from top slot.
3. Remove spindle cam from assembly.
4. Position the spindle cam in the correct direction for door hand. (Figure 8)
5. Slide spindle cam post into the correct slot of the display slide (Figure 9).
6. Press back plate back into original position.

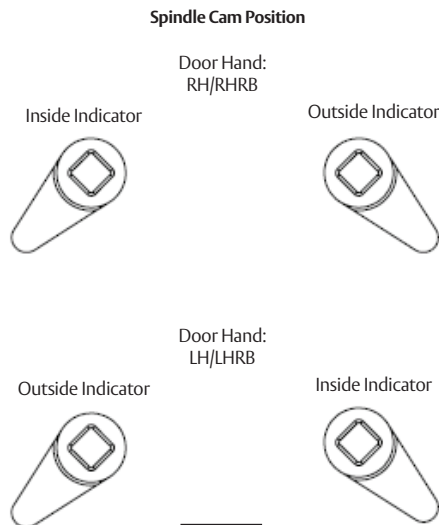


Figure 8

Note:

Verify handing on both outside and inside indicators.

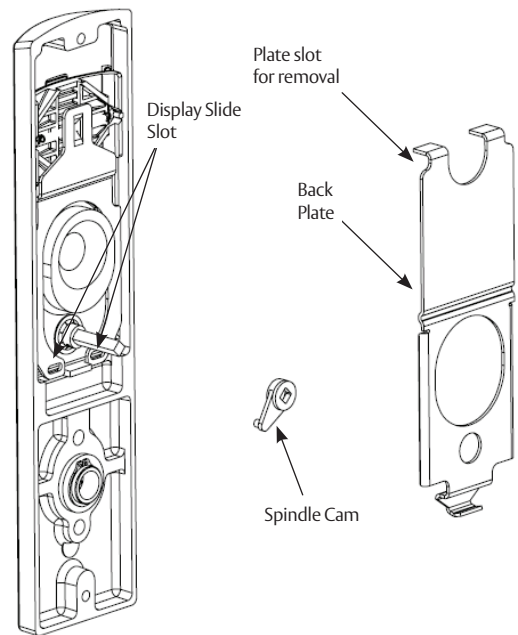


Figure 9

Installation Instructions

5

Installation Instructions

a

Prepare Door

Prepare door for function holes, size, and location according to FM500 door marker template, if not already prepped.

b

MUSÉO® LEVERS ONLY: Attach Levers to Escutcheons

1. Thread lever onto adapter.
2. Insert spindle into adapter and fully tighten onto lever. Loosen smallest amount that allows spindle to engage lever.
3. Verify correct spindle orientation with the lever held horizontally. (Figure 10)

NOTE:

Use correct spindle orientation. (Figure 10)

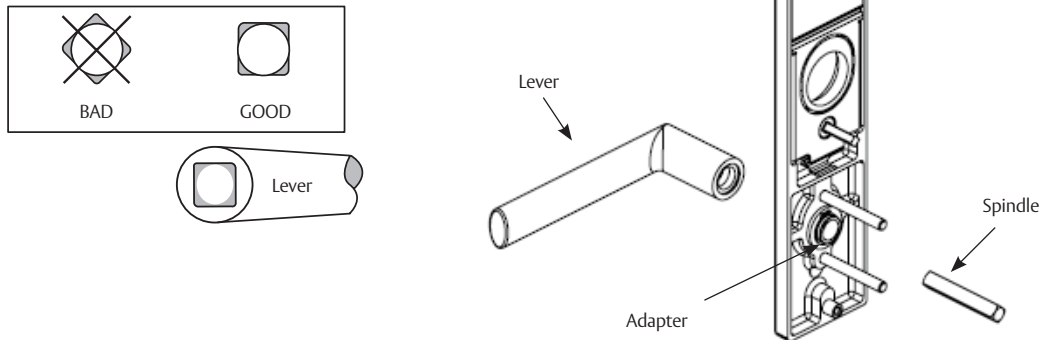


Figure 10

c

Install Lock and Outside Trim

1. Verify strike location according to template. Clean out door pocket and door edge of debris.
2. Make sure handing of the lock matches handing of door. Slide lock into the door and hold.
3. Slide outside lever and escutcheon assembly through door; lock body and hold. (Figure 11)
4. Verify indicator is in unlocked position.

NOTE:

- Keep door open while installing lock.
- Make sure lock is unlocked.

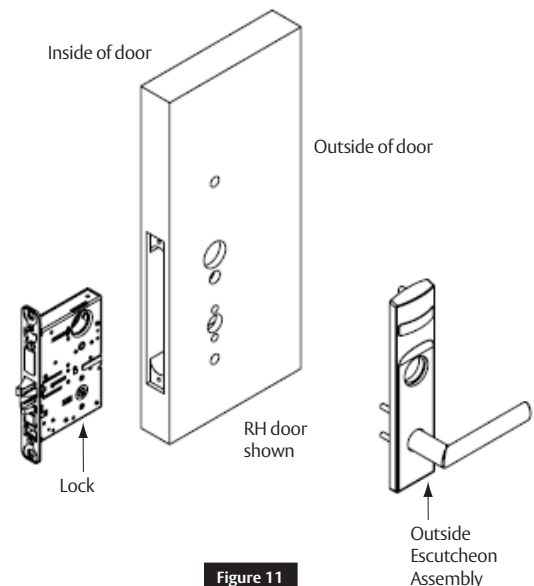


Figure 11

Installation Instructions

5

Installation Instructions (cont.)

d

Install Cylinder

1. Thread cylinder into lock until flush with surface.
2. Install the cylinder clamp screw (#2 Phillips screwdriver).
3. Check operation, and adjust cylinder if necessary.
4. Secure lock in door with two (2) Combination screws
Do NOT tighten completely at this time. (Figure 12)

NOTE:

- CORBIN RUSSWIN logo must be horizontal and on top portion of cylinder.
- Designed for 1-1/8" cylinders. For longer cylinders consult factory.

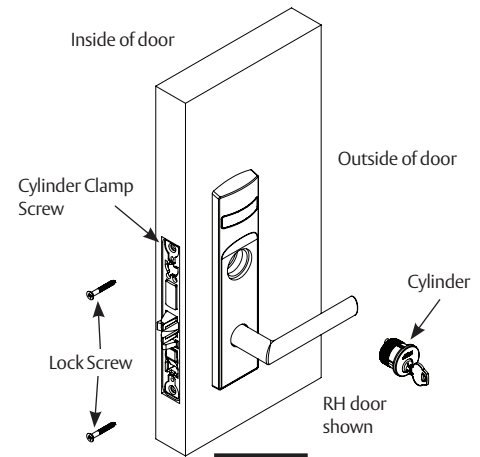


Figure 12

e

Install Inside Trim

1. Install inside escutcheon assembly Using two (2) through-bolt screws. (Figure 13)

NOTE:

Engage both spindle and spindle cam with lock body.

2. Verify indicator is in unlocked position.

Note:

- Screw heads should be visible on inside escutcheon.
- If a turn-piece is required, it should be oriented vertically.

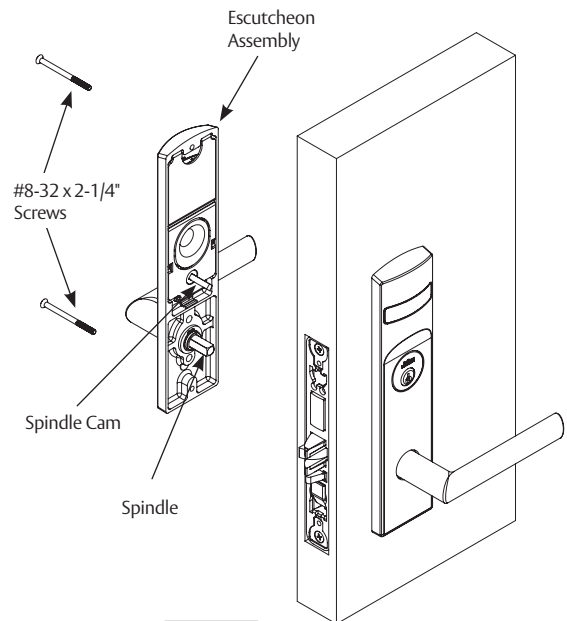


Figure 13

5

Installation Instructions (cont.)

f

STANDARD LEVERS ONLY: Attach Levers

1. Install outside lever or knob by inserting adjustment bolt on opposite side of door. Tighten bolt finger-tight and loosen a few turns.
2. Install inside lever or knob by inserting dowel screw. (Figure 14)

NOTE:

Use correct spindle orientation. (Figure 15)

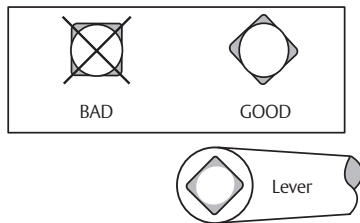


Figure 15

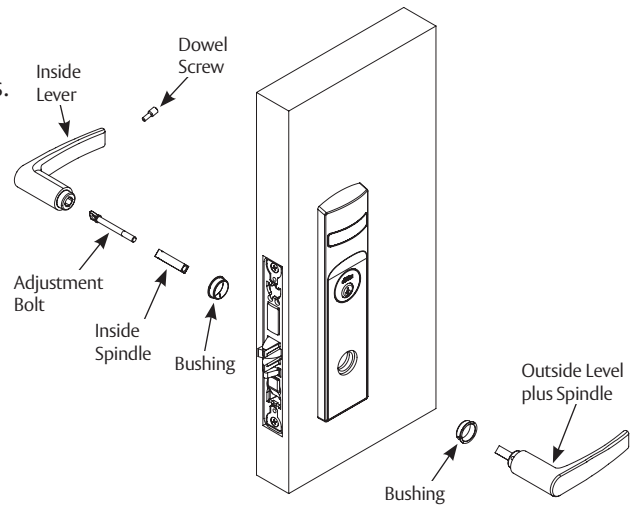


Figure 14

NOTE:

Make sure adjustment bolt hole is aligned with lever or knob hole. (Figure 16)

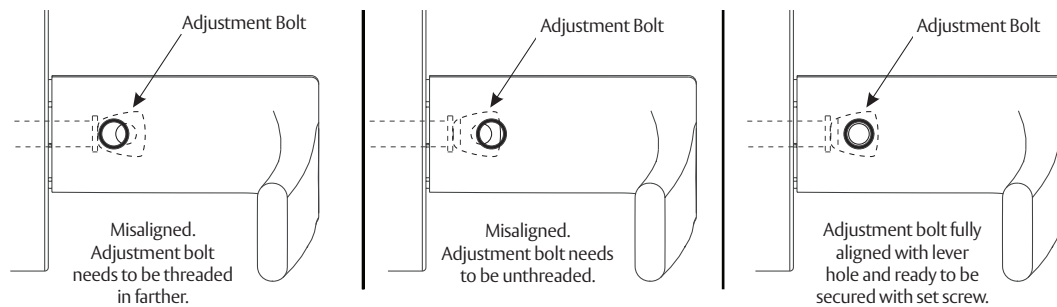


Figure 16

Installation Instructions

5

Installation Instructions (cont.)

g

Install Outside Front

1. Tighten the two (2) lock screws completely.
2. Attach the outside front with two (2) flat head screws #8-32 x 1/4". (Figure 17)

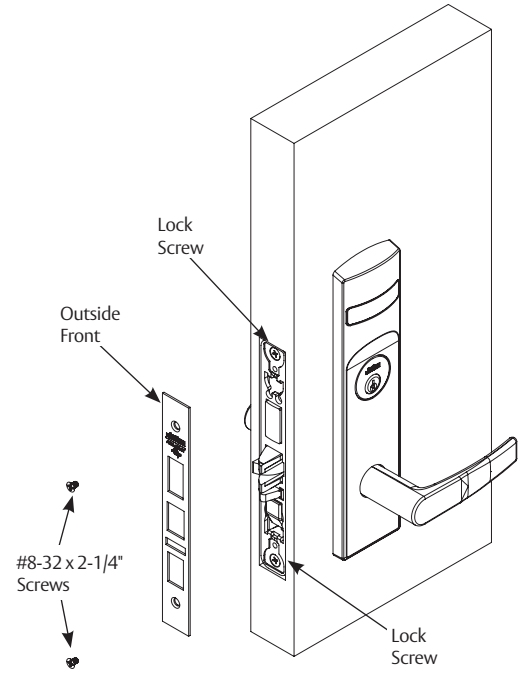


Figure 17

h

Perform Functional Check

1. Insert key into cylinder and rotate.
 - There should be no friction against lock case or any other obstructions.
2. Check that key retracts latch.
 - Key should rotate freely.
3. Throw deadbolt (if present).
 - Check that key retracts both deadbolt and latch.
4. Test inside lever.
 - Ensure it retracts latch and deadbolt (if installed).
5. Verify indicator displays correct status when locked and unlocked. See step 4 if it does not.

ML2000 Series Mortise Lock

Used with VN Escutcheon Trim and V Series Indicators

Installation Instructions



ASSA ABLOY

6

Indicator Parts

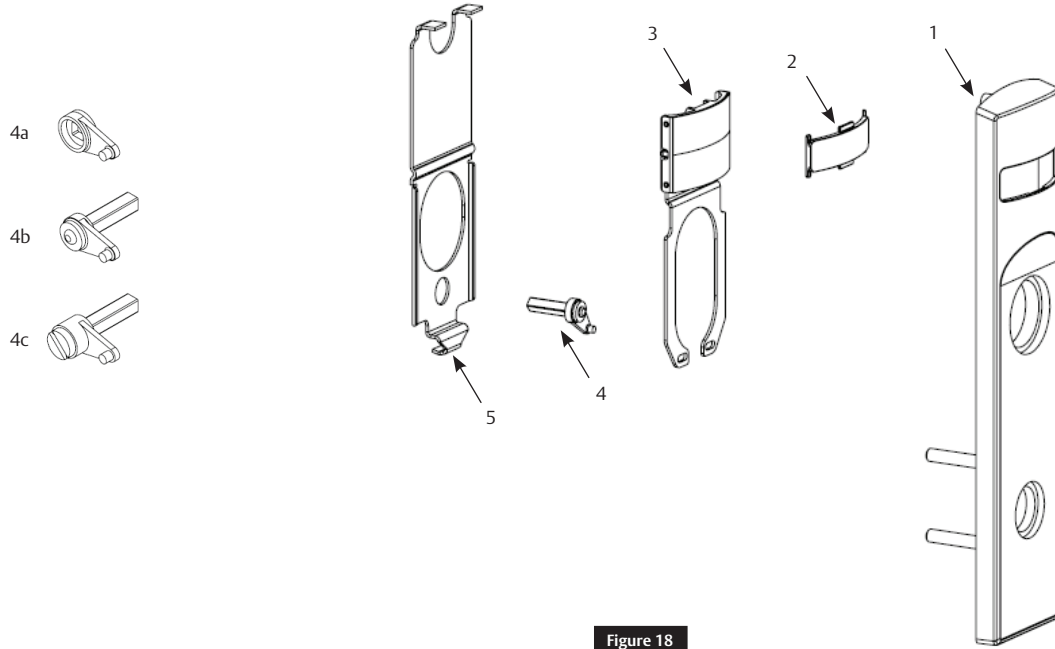


Figure 18

Figure 18	Description	Part Number	Required
1	VN Indicator Escutcheon	Consult Factory	1
2	Indicator Window	856F049	1
3	Indicator Display Assembly – Green ‘Unlocked’ / Red ‘Locked’	858F241	1
	Indicator Display Assembly – Green ‘Vacant’ / Red ‘Occupied’	858F251	
	Indicator Display Assembly – Green Unlocked Icon / Red Locked Icon	858F261	
	Indicator Display Assembly – White ‘Unlocked’ / Red ‘Locked’	858F271	
	Indicator Display Assembly – White ‘Vacant’ / Red ‘Occupied’	858F281	
	Indicator Display Assembly – White Unlocked Icon / Red Locked Icon	858F291	
4A	Indicator Spindle Cam – Thumb Turn	855F619	1
4B	Indicator Spindle Cam – Cylinder / No Input/Bank	855F707	1
4C	Indicator Spindle Cam – Coin Turn	855F747	1
5	Indicator Escutcheon Back Plate	855F638	1
6	VN Escutcheon Screw Pack (Not shown)	858F517 x finish	1
7	Door Marker Template (Not shown)	FM500	1

NOTE:

Reference ML2000 parts manual for all lock body parts.

ML2000 Series Mortise Lock

Used with VN Escutcheon Trim and V Series Indicators

Installation Instructions



ASSA ABLOY

Page intentionally left blank.

The ASSA ABLOY Group is the global leader in access solutions. Every day, we help billions of people experience a more open world.

ASSA ABLOY Opening Solutions leads the development within door openings and products for access solutions in homes, businesses and institutions. Our offering includes doors, frames, door and window hardware, locks, perimeter fencing, access control and service.



Corbin Russwin, Inc.
225 Episcopal Road
Berlin, CT 06037 USA
Phone: 800-543-3558
Fax: 800-447-6714
www.corbinruswin.com

Corbin Russwin is a brand associated with ASSA ABLOY Access and Egress Hardware Group, Inc., an ASSA ABLOY Group company. Copyright © 2019, ASSA ABLOY Access and Egress Hardware Group, Inc. All rights reserved. Reproduction in whole or in part without the express written permission of ASSA ABLOY Access and Egress Hardware Group, Inc. is prohibited.

For installation assistance contact Corbin Russwin
1-800-543-3658 • techsupport.corbinruswin@assaabloy.com

FM521 08/19