

# PD30-SVR - PANIC & PD30F-SVR - FIRE LABELED SURFACE VERTICAL ROD EXIT DEVICES

## PD30 SERIES EXIT DEVICES USING SNB OR SURFACE MOUNT FASTENERS

TEMPLATE: CAT-9705  
REV. 0 04-27-23

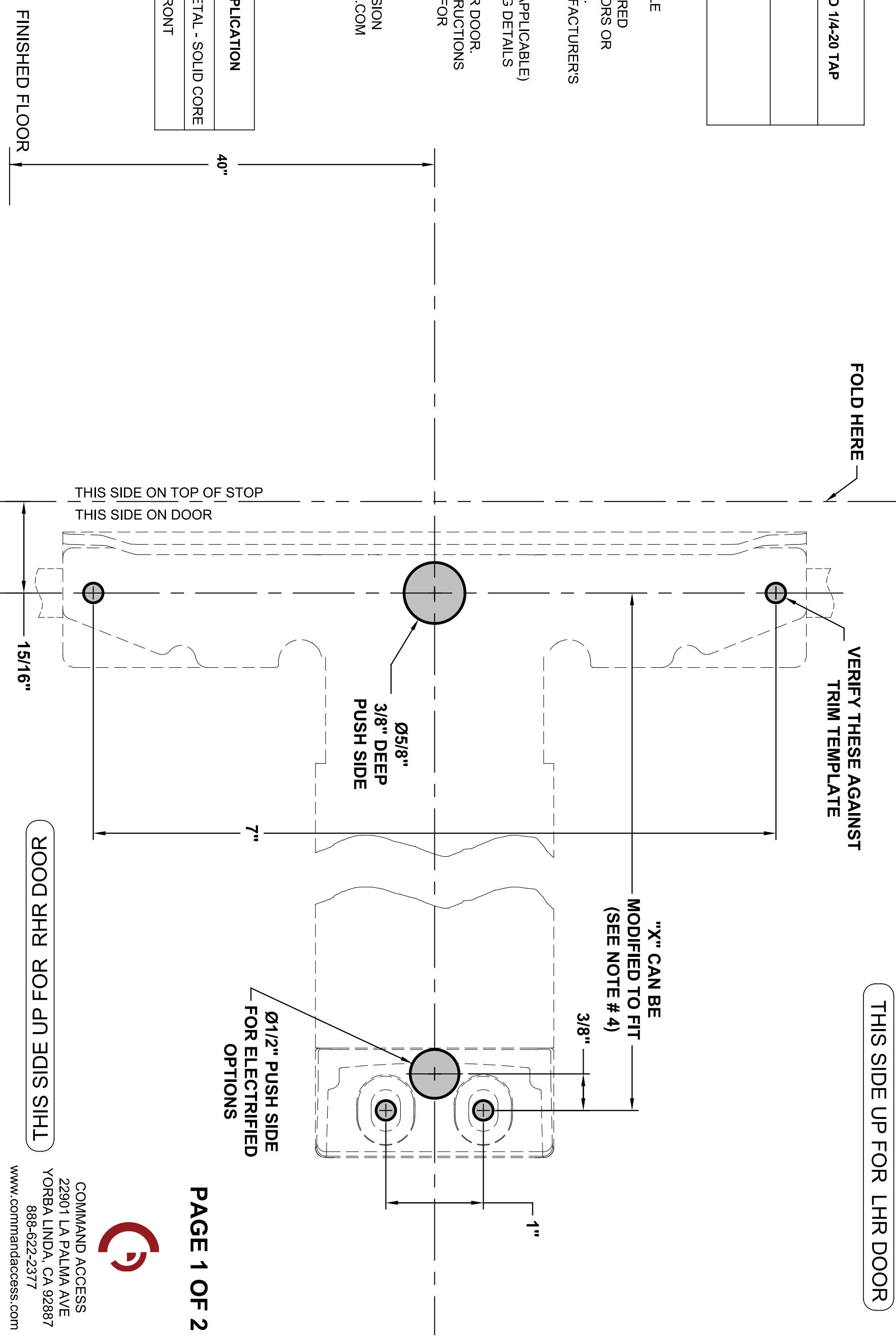
### DEVICE

<b>MACHINE SCREWS:</b> USE #7 OR 13/64" DRILL AND 1/4-20 TAP
<b>WOOD SCREWS:</b> USE 5/32" DRILL
<b>SEX NUTS:</b> USE 3/8" DRILL PULL SIDE USE 9/32" DRILL PUSH SIDE

### NOTES:

1. VERIFY PRINTED TO SCALE
2. SEX NUTS MAY BE REQUIRED FOR UNREINFORCED DOORS OR COMPOSITE FIRE DOORS. CONSULT DOOR MANUFACTURER'S RECOMMENDATIONS
3. SEE TRIM TEMPLATE (IF APPLICABLE) FOR RELATED MACHINING DETAILS
4. DIMENSION "X" SIZED FOR DOOR. REFER TO DEVICE INSTRUCTIONS WHEN CUTTING DOWN FOR NARROWER OPENING
5. CHECK CAT WEBSITE FOR MOST RECENT REVISION  
[WWW.COMMANDACCESS.COM](http://WWW.COMMANDACCESS.COM)

MINIMUM STILE WIDTH	APPLICATION
3 1/2" STILE	HOLLOW METAL - SOLID CORE
2 1/8" STILE	AL STOREFRONT



THIS SIDE UP FOR LHR DOOR

"X" CAN BE MODIFIED TO FIT (SEE NOTE # 4)

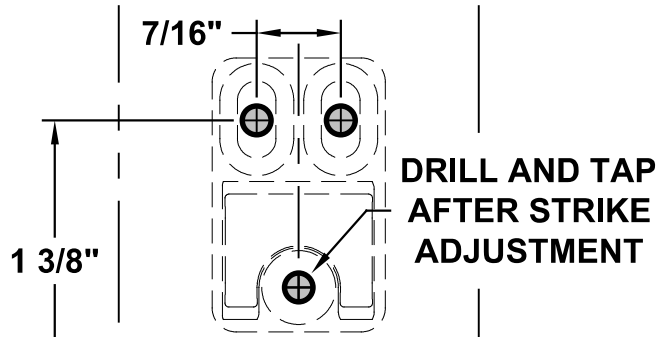
Ø1/2" PUSH SIDE FOR ELECTRIFIED OPTIONS



**TOP STRIKE**

**MACHINE SCREWS:**  
USE #25 OR 5/32" DRILL  
AND #10-24 TAP

**FOLD HERE, PLACE  
AGAINST DOOR & STOP**



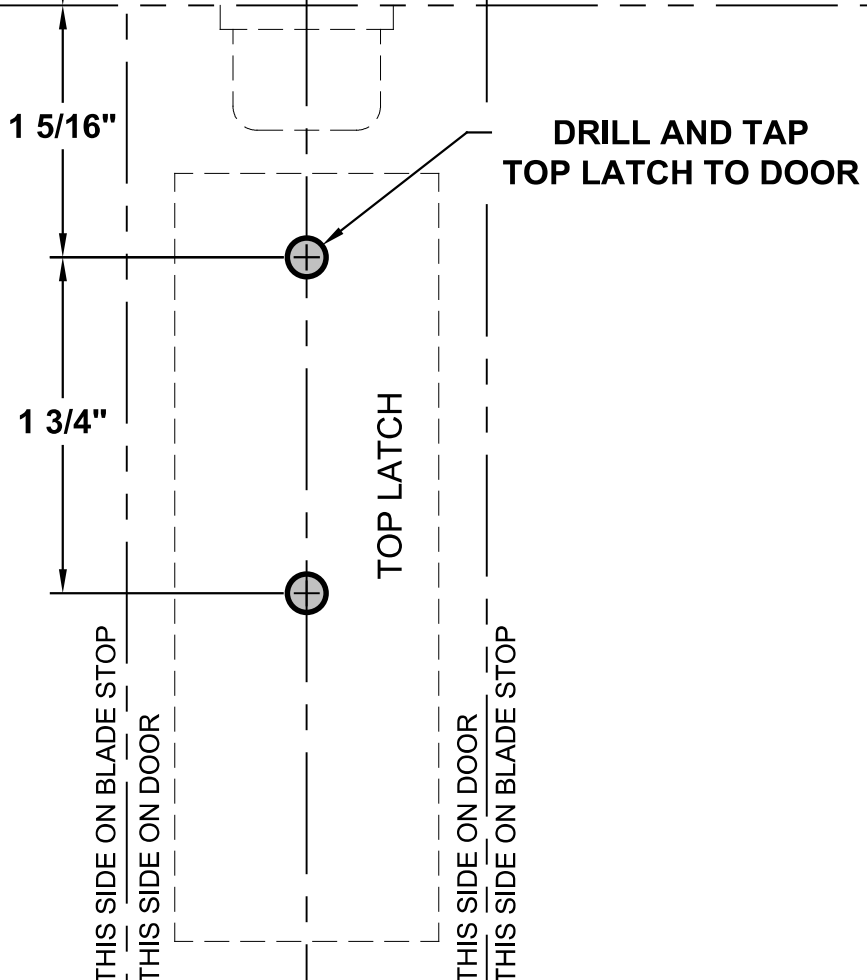
**DRILL AND TAP  
AFTER STRIKE  
ADJUSTMENT**

**TOP/BOTTOM LATCH TO DOOR**

**MACHINE SCREWS:**  
USE #7 OR 13/64" DRILL AND 1/4-20 TAP

**WOOD SCREWS:**  
USE 5/32" DRILL

**SEX NUTS:**  
USE 3/8" DRILL PULL SIDE  
USE 9/32" DRILL PUSH SIDE



**DRILL AND TAP  
TOP LATCH TO DOOR**

TOP LATCH

BOTTOM LATCH

THIS SIDE ON BLADE STOP  
THIS SIDE ON DOOR

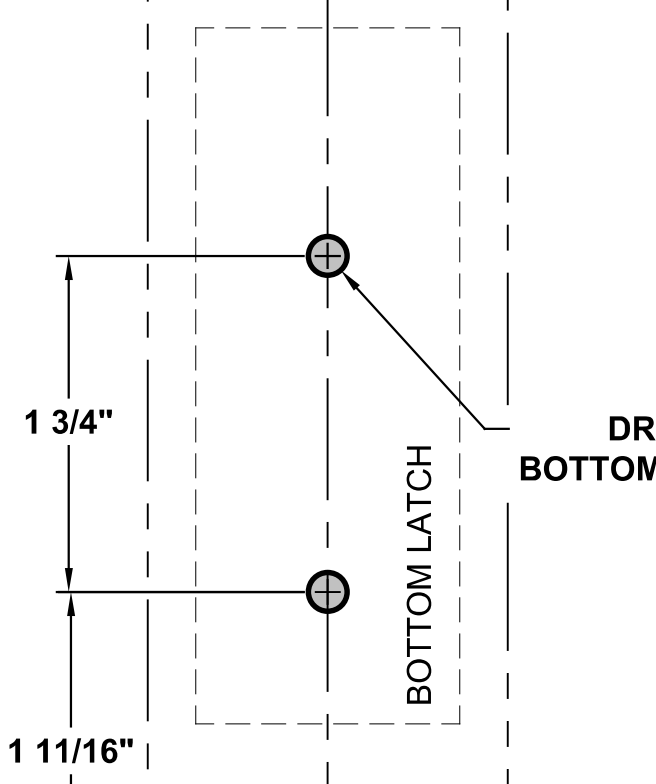
THIS SIDE ON DOOR  
THIS SIDE ON BLADE STOP

**DRILL AND TAP  
BOTTOM LATCH TO DOOR**

PUSH SIDE FACE OF DOOR

BOTTOM EDGE OF DOOR

DOOR EDGE



BOTTOM STRIKE

Ø1"  
3/4" DEEP

Ø1/4  
1" DEEP

1 3/4"

FINISHED FLOOR  
FOLD HERE, PLACE  
AGAINST FLOOR & DOOR

