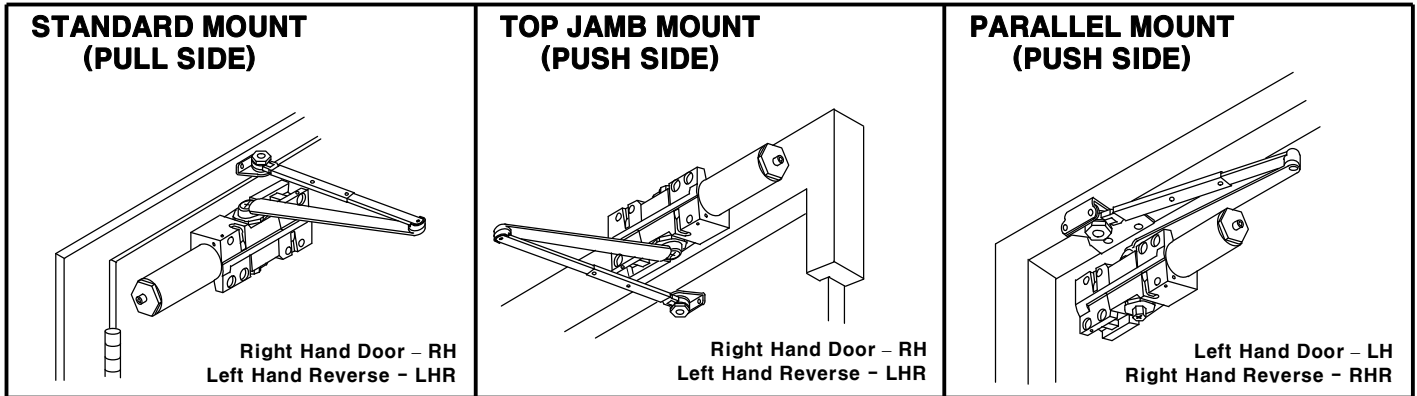


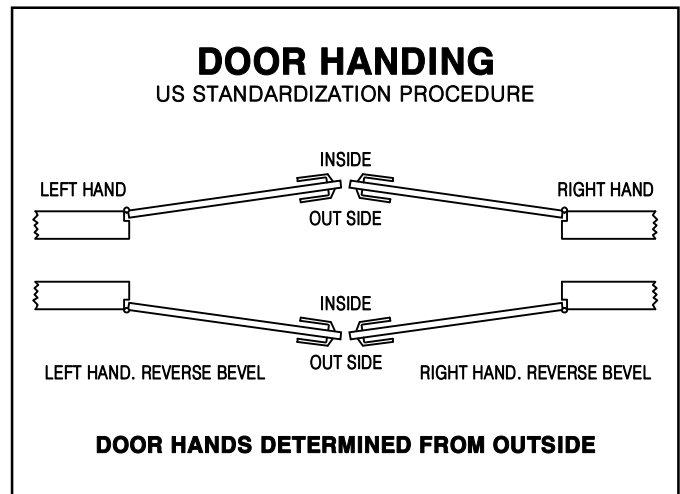
# INSTALLATION INSTRUCTIONS

## HOLD OPEN

Adjustable power size 1 thru 6



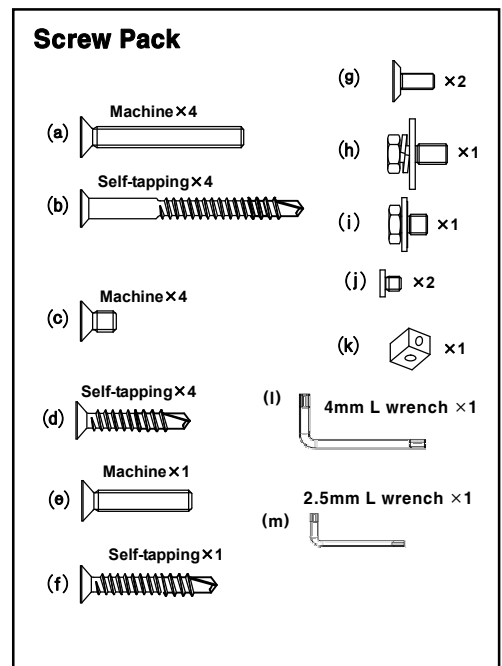
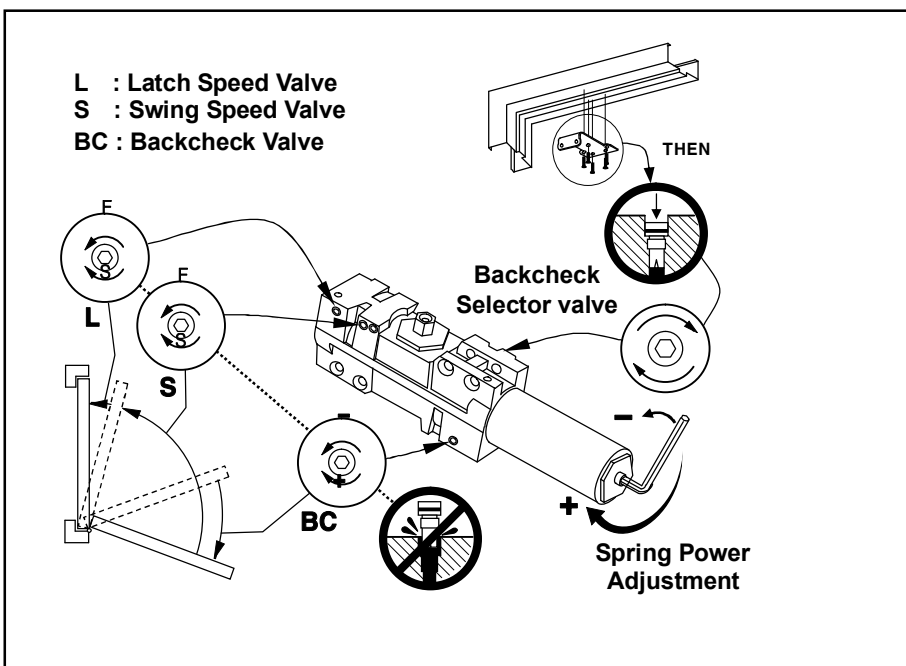
| DOOR CLOSER SIZE | MAXIMUM DOOR WIDTH   |             | FULL TURNS OF POWER ADJUSTMENT SCREW |
|------------------|----------------------|-------------|--------------------------------------|
|                  | EXTERIOR (SWING OUT) | INTERIOR    |                                      |
| 1                | 28" (0.71m)          | 32" (0.81m) | 7C.C.W                               |
| 2                | 32" (0.81m)          | 36" (0.91m) | 4C.C.W                               |
| 3                | 36" (0.91m)          | 42" (1.07m) | 0(PRESET)                            |
| 4                | 42" (1.07m)          | 48" (1.22m) | 5C.C.W                               |
| 5                | 48" (1.22m)          | 54" (1.22m) | 10C.C.W                              |
| 6                | 54" (1.37m)          | 58" (1.47m) | 15C.C.W                              |



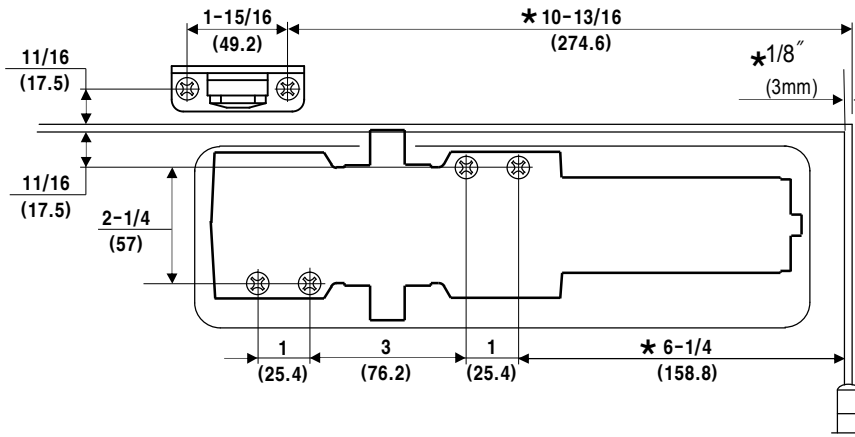
**(+) = CLOCKWISE**  
**(-) = COUNTER CLOCKWISE**

**PLEASE NOTE**  
TURNS REQUIRED ARE APPROXIMATE  
BECAUSE OF VARIOUS DOOR CONDITIONS  
AND LOCATIONS. YOU MAY HAVE TO  
FURTHER ADJUST SPRING TENSION TO  
SUIT YOUR REQUIREMENTS.

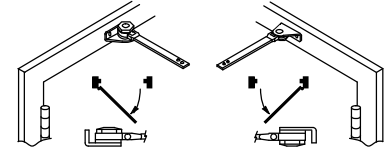
**IT IS IMPORTANT TO CAREFULLY FOLLOW ALL INSTALLATION AND MOUNTING INSTRUCTIONS WHEN INSTALLING ANY DOOR CLOSER.**



## PULL SIDE (DOOR JAMB) HOLD-OPEN ARM STANDARD MOUNT



Hold-open arm. Identify direction of hold-open nut according to mounting.

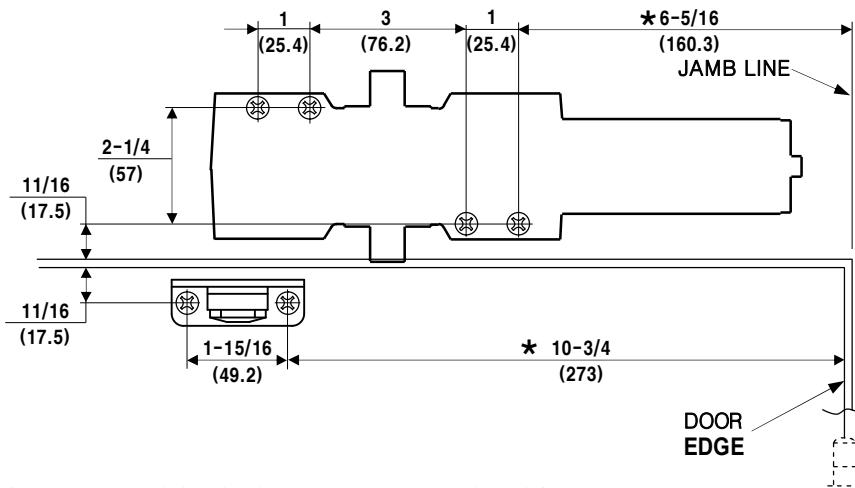


Hold-open (85° ~120°)

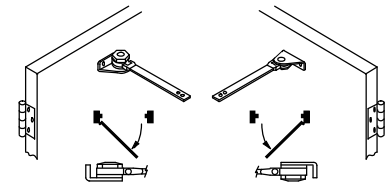
- Do Not Scale Drawing
- Dimensions : inches (mm)

LEFT HAND DOOR SHOWN, RIGHT HAND OPPOSITE.

## PUSH SIDE (TOP JAMB) HOLD-OPEN ARM TOP JAMB MOUNT



Hold-open arm. Identify direction of hold-open nut according to mounting.

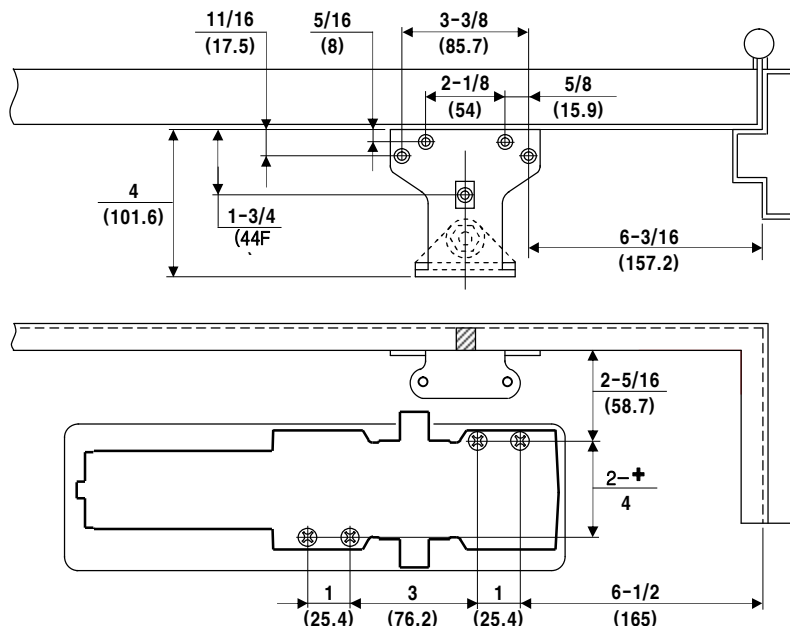


Hold-open (85° ~120°)

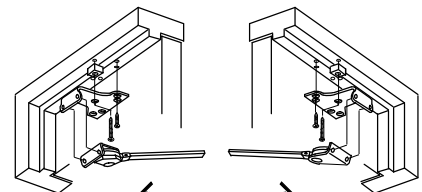
- Do Not Scale Drawing
- Dimensions : inches (mm)

RIGHT HAND DOOR SHOWN, LEFT HAND OPPOSITE.

## PUSH SIDE (DOOR MOUNT) HOLD-OPEN ARM PARALLEL MOUNT



Hold-open arm. Identify direction of hold-open nut according to mounting.



Hold-open (85° ~180°)

- Do Not Scale Drawing
- Dimensions : inches (mm)

RIGHT HAND DOOR SHOWN, LEFT HAND OPPOSITE.