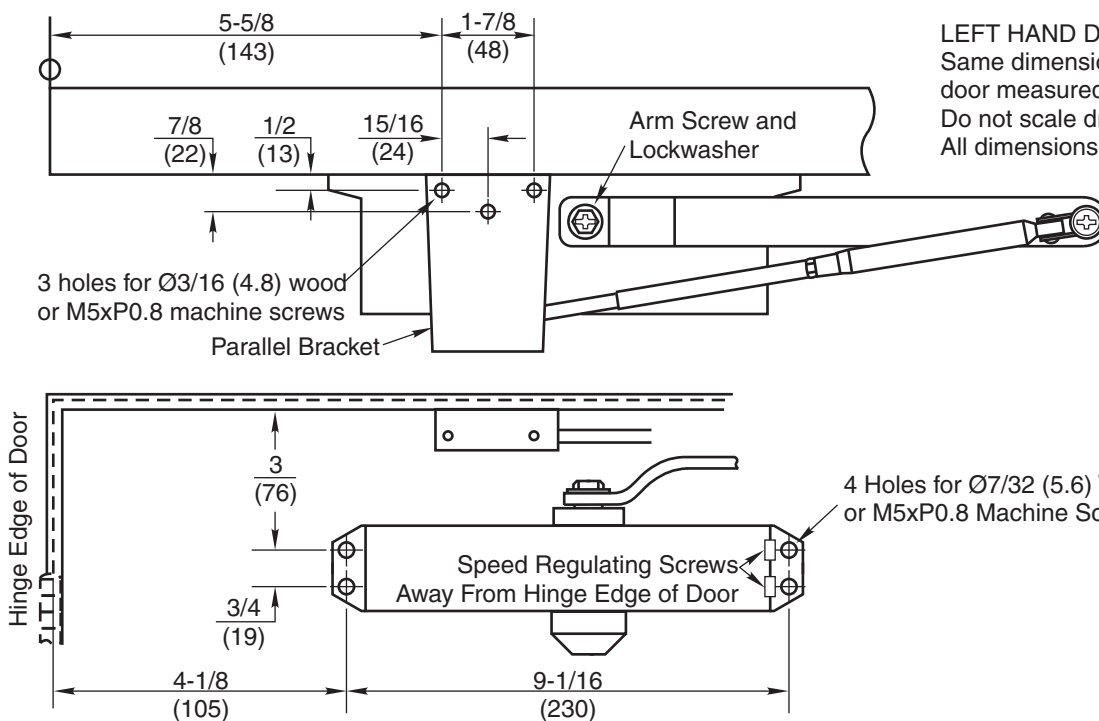




1105 Door Closers Installation Instructions

PARALLEL ARM Installation Closer Mounted On Push Side Of Door

Parallel arm installation to 140° opening.



LEFT HAND DOOR SHOWN.
Same dimensions apply for Right Hand door measured from hinge edge.
Do not scale drawing.
All dimensions given in inches (mm).

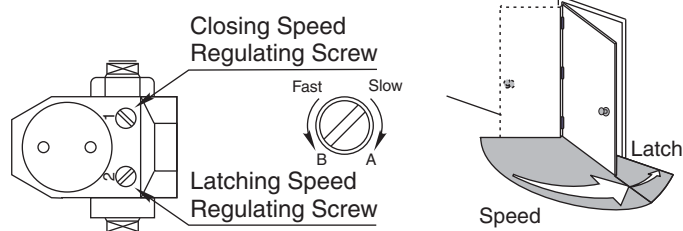
PARALLEL ARM INSTALLATION INSTRUCTIONS

1. Use dimensions shown in above template to mark (4) four holes on door for closer and (3) three holes on frame for parallel bracket.
2. Drill pilot holes in door and frame for Ø7/32" (5.6) wood screws or M5xP0.8 machine screws.
3. Mount closer on door with SPEED REGULATING SCREW AWAY FROM HINGE EDGE.
4. Attach parallel bracket to door stop as illustrated.
5. Using a wrench on the square shaft on bottom of closer, rotate shaft approximately 45° toward hinge edge of door. Hold and place main arm on shaft on top of closer and proper index mark as illustrated.

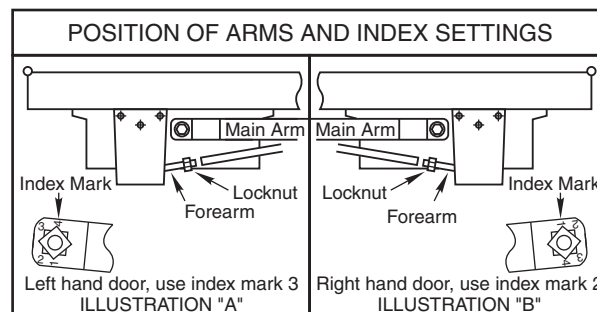
FOR LEFT HAND DOOR NO. 3 (ILLUSTRATION "A").
FOR RIGHT HAND DOOR NO. 2 (ILLUSTRATION "B").

6. Mount arm shoe and parallel bracket with M5x6mm screws.
7. Adjust length of forearm to connect main arm (The main arm will be slightly away from door.) and assemble at elbow then tighten locknut.

ADJUSTMENT INSTRUCTIONS

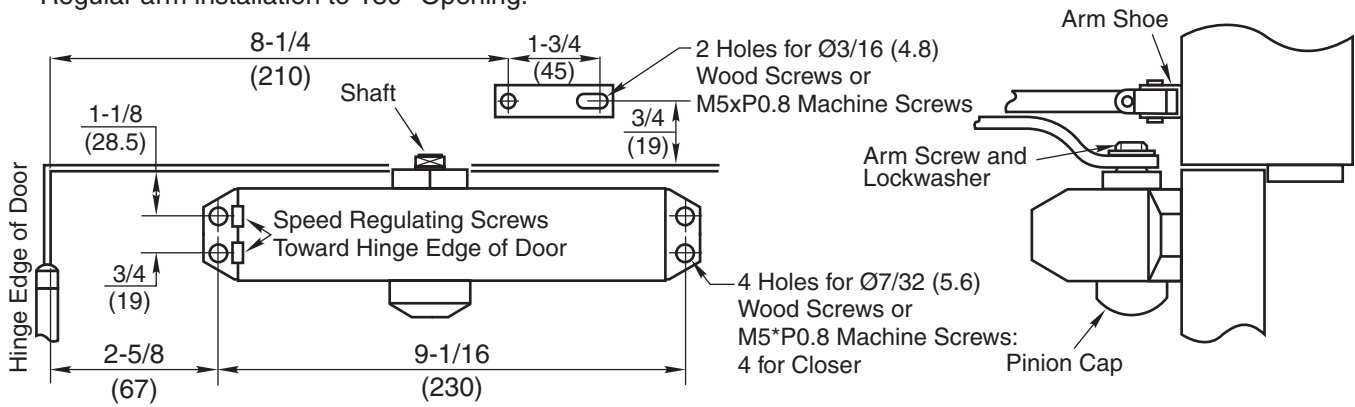


SPEED- Door closing and latching speeds are controlled by "1", "2" speed regulating screw separately.
A: Clockwise turns slow the speed. B: Counterclockwise turns increase the speed.

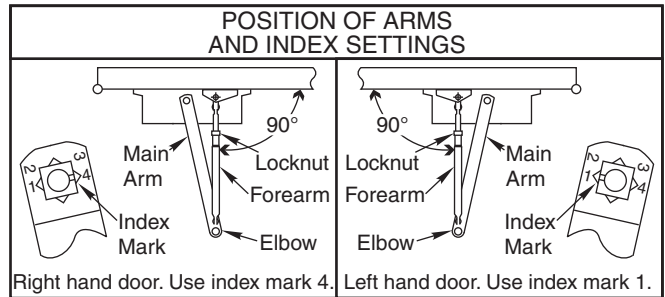
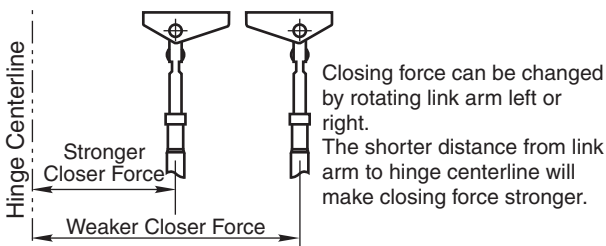


REGULAR ARM (Standard Installation) Closer Mounted On Pull Side of Door

Regular arm installation to 180° Opening.

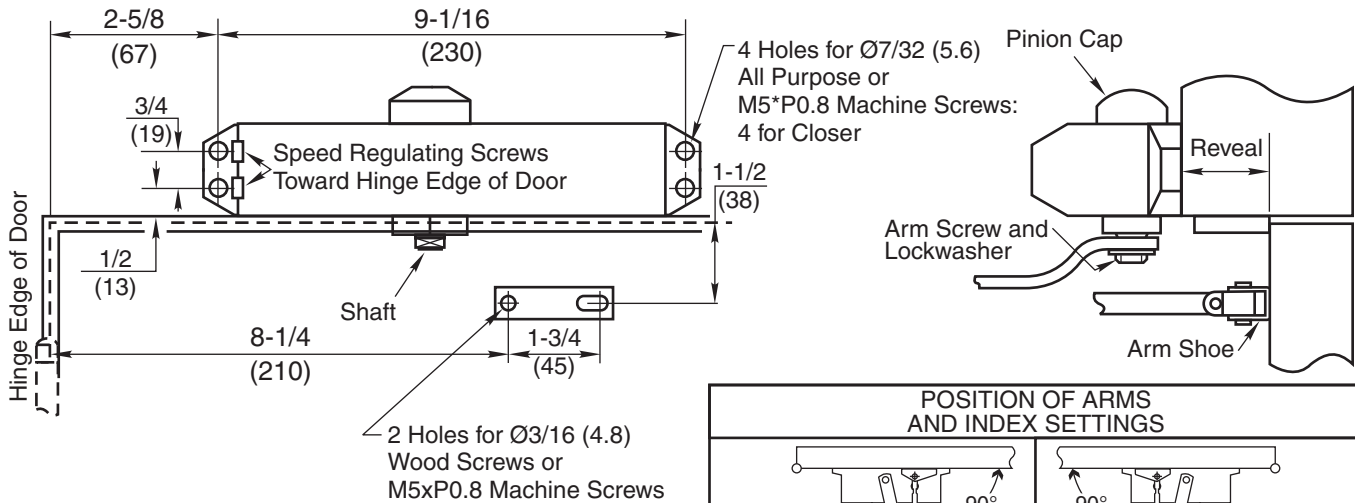


RIGHT HAND DOOR ILLUSTRATED. Same dimensions apply for Left Hand Door measured from hinge edge.

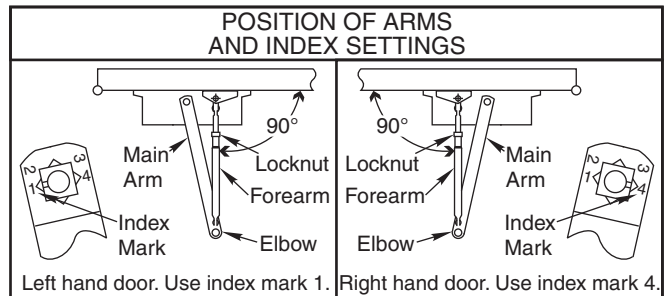


TOP JAMB Installation Closer Mounted Top Jamb On Push Side of Door

Top jamb installation to 180° Opening. 1-3/4" (44.5) Maximum Reveal.



LEFT HAND DOOR ILLUSTRATED. Same dimensions apply for Right Hand Door measured from hinge edge.



Yale Locks & Hardware

100 Yale Avenue, Lenoir City, TN 37771 • Product Support Tel 800.438.1951 • Fax 800.338.0965 • www.yalelocks.com

Yale Locks & Hardware is a division of Yale Security Inc., an ASSA ABLOY Group company.

Yale® is a registered trademark of Yale Security Inc., an ASSA ABLOY Group company. Other products' brand names may be trademarks or registered trademarks of their respective owners and are mentioned for reference purposes only. These materials are protected under U.S. copyright laws. All contents current at time of publication.

Yale Security Inc. reserves the right to change availability of any item in this catalog, its design, construction, and/or its materials.

Copyright © 2008, 2010, Yale Security Inc., an ASSA ABLOY Group company.

All rights reserved. Reproduction in whole or in part without the express written permission of Yale Security Inc. is prohibited.