

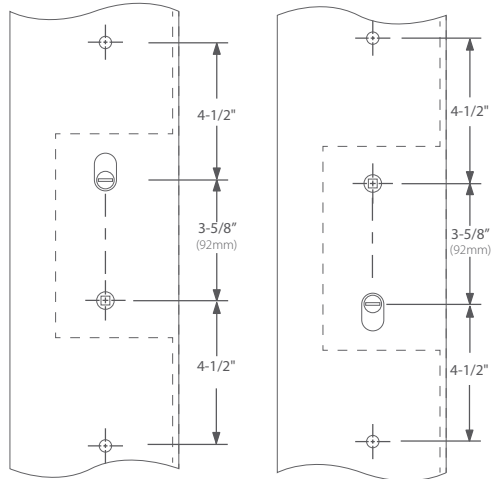
MULTI POINT LOCK TRIM

PRICE BOOK

October 2018



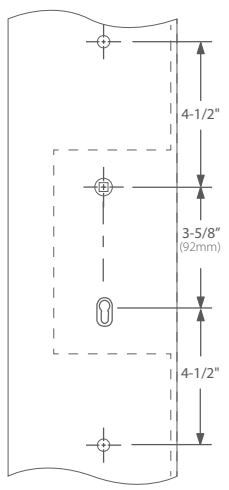
Large Multi Point
Entry Sets



Large Multi Point Entry Sets **14**
 American Cylinder Hub *Above/Below* Handle, 3⁵/₈" Center-to-Center

ref. G-U®

PAGE



Large Multi Point Entry Sets **18**
 Euro Cylinder Hub *Below* Handle, 3⁵/₈" Center-to-Center

ref. G-U®

EMTEK MULTI POINT LOCK TRIM FOR SWINGING DOORS

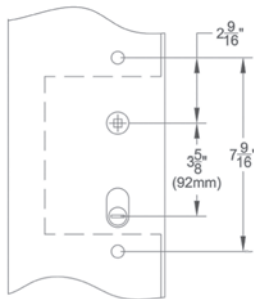
CHOOSE TRIMSETS FROM DOOR & LOCK CONFIGURATIONS, AVAILABLE IN BOTH KEYED AND NON-KEYED FUNCTIONS

Door Manufacturers listed under each configuration are for reference only and are subject to change. Some retrofitting may be necessary. Please carefully measure and identify your hardware using the diagrams and steps listed below.

>> To determine your Multi-Point Lock configuration:

- 1) Identify the manufacturer of your door and multi-point lock
- 2) Measure the center-to-center hole spacing between the lever and the cylinder
- 3) Check the lever position: is it above or below the cylinder?
- 4) Identify the type of cylinder used in the door: is it American or Euro Profile Cylinder?

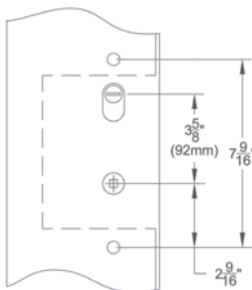
PAGE



Door Configuration #1 22

American Cylinder Hub **Below** Handle, 3⁵/₈" Center-to-Center

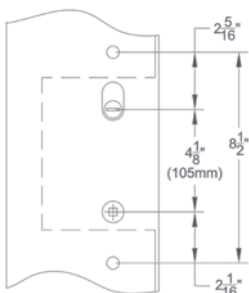
ref. Atrium®, G-U®, KML by Andersen®, Andersen®, Marvin Integrity®, Paddock Lockmaster™, Superior®



Door Configuration #2 28

American Cylinder Hub **Above** Handle, 3⁵/₈" Center-to-Center

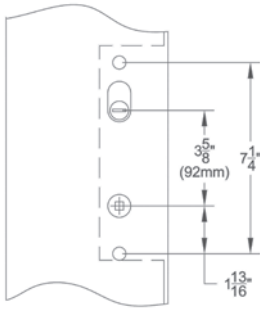
ref. BiltBest®, G-U®, Hurd® (Energy Saver), Andersen®



Door Configuration #3 34

American Cylinder Hub **Above** Handle, 4¹/₈" Center-to-Center

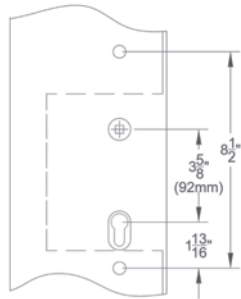
ref. Andersen®



Door Configuration #4 40

American Cylinder Hub **Above** Handle, 3 5/8" Center-to-Center

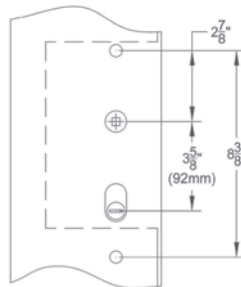
ref. Ashland®, G-U®, Caradco®, JELD-WEN®, Jeldwen® Custom Collection (formerly Pozzi®), Marvin®, PGT®, Premium Collection (formerly Norco®), Weathershield®



Door Configuration #5 46

Euro Profile Cylinder **Below** Handle, 3 5/8" Center-to-Center

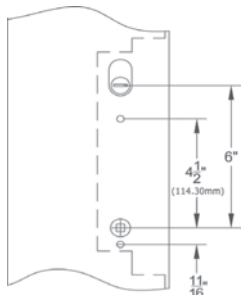
ref. Crestline®, Hoppe®, Hurd®, KfV®, Kolbe & Kolbe®, Lincoln®, Loewen®, Paddock Lockmaster™, Peachtree®, Semco®, Sierra Pacific®, Signature®, Simpson®, Therma-Tru®, Vetter®, Willmar®, Windsor®, Weathershield®



Door Configuration #6 52

American Cylinder Hub **Below** Handle, 3 5/8" Center-to-Center

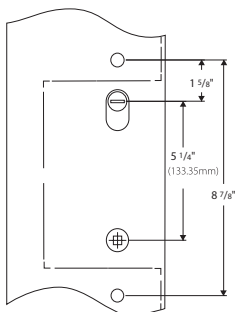
ref. Milgard®, Pella®



Door Configuration #7 58

American Cylinder Hub **Above** Handle, 6" Center-to-Center

ref. Trillanium® (formerly W&F Manufacturing)



Door Configuration #8 63

American Cylinder Hub **Above** Handle, 5 1/4" Center-to-Center

ref. Neuma Doors®

Product Index 68

Order Form 70

Lifetime Limited Warranty 71



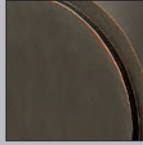
Polished Brass - Lifetime (US3)



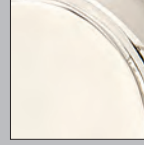
Satin Brass (US4)



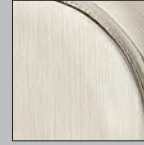
French Antique (US7)



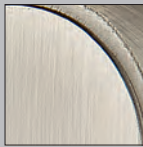
Oil Rubbed Bronze (US10B)



Polished Nickel - Lifetime (US14)



Satin Nickel (US15)



Pewter (US15A)

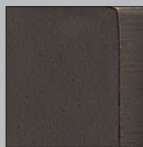


Flat Black (US19)



Polished Chrome (US26)

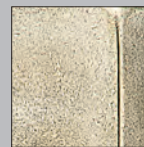
Bronze Patina is a living finish that will gracefully age, revealing the underlying bronze over time. Because of this characteristic, no finish warranty is offered on bronze patina products.



Flat Black Bronze Patina (FB)

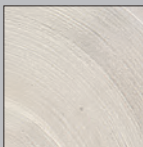


Medium Bronze Patina (MB)



Tumbled White Bronze (TWB)

Brushed Stainless Steel carries a five-year finish warranty. All stainless steel will require some periodic cleaning to keep your hardware looking like new.



Brushed Stainless Steel (SS)

Unlacquered Brass (US3NL) is a custom, made-to-order finish. It is available with an upcharge, per item and requires an additional 2-3 day lead time. This living finish will gracefully age and evolve in appearance over time. Because of this characteristic, no finish warranty is offered on unlacquered brass products.



Unlacquered Brass (US3NL)

ORDERING AND RETURNS

Placing Orders

You have several options to place an order:

- Email: orders@emtek.com
- Fax: 800-577-5771
- Phone: 800-356-2741, Option 1
- Mail: Emtek Products, Inc.
15250 E. Stafford Street
City of Industry, CA 91744

Hours of Operation

Monday – Friday: 5:00 AM – 5:00 PM Pacific Time.

Minimum Order Requirements

There are no minimum order quantity requirements.

Payment Terms

Net 30 Days on established credit.

Payment Options

We accept check, Visa, MasterCard, Discover, AMEX, and ACH.

Sales Tax

Sales tax will be charged unless a resale certificate has been provided.

Prices

All prices listed are in US funds. Our prices are subject to change without prior notice.

Returns

- For your convenience, returns do not require authorization. Returns can be processed directly from the Emtek website, www.emtek.com.
- Click on the “Dealer Site” icon on the right side of the bottom half of the www.emtek.com home page, and then select “Product Returns”. Fill out the RGA form, and follow the link to generate a UPS call tag (terms and conditions apply – see the website for details).
- A completed RGA form must accompany all packages for returned goods.
- Returns are accepted from the Emtek dealer who originally purchased the product that is being returned. Any refund or credit would only be made to the original dealer.
- All returned goods are subject to a minimum 25% restocking fee.
- Returns for reasons other than an Emtek factory or processing error will be subject to our customary restocking fee with a return freight charge of \$15.00 per label/carton in the United States or \$30.00 per label/carton in Canada or Mexico. This charge will be deducted from the credit issued for each call tag.
- No freight will be charged if the return is sent prepaid.

SHIPPING AND FREIGHT

Shipping Costs

All orders are FOB shipping point. For shipments to dealer specified commercial addresses located in the US, Canada and Mexico, Emtek ships freight prepaid. For shipments to dealers located outside of North America, freight will be prepaid by Emtek to the U.S. location of the dealer’s freight forwarder. Orders may ship ground service or LTL at our discretion. Orders shipping to a residential address must ship via 2nd Day with a 20% surcharge.

Shipping Options

Shipments to a commercial address can be upgraded to 2nd Day or Next Day Service for a fee. Orders shipping to a residential address may be upgraded to Next Day Service for a fee. Unfortunately, a dealer’s freight account cannot be used to pay for shipping charges.

Delivery Location	Type of Service	Surcharge %*
Commercial Address	Second Day	6%
Commercial Address	Next Day	16%
Residential Address	Second Day (Required)	20%
Residential Address	Next Day	25%

*Multiplied by invoice value

Order Lead time

Emtek assembles all products to order in City of Industry, California. Orders typically ship within two to three business days once an order is released to the factory.

DEALER INFORMATION PORTAL

Online Account Access

We are pleased to announce that you can now access your Emtek account information through the ASSA ABLOY dealer information portal. Through the dealer portal you can access information about your account at any time. You can:

- Check on the status of orders
- View both order and sales history
- View and print order acknowledgements, invoices, statements and credits
- Track shipments

To register for the ASSA ABLOY dealer portal or to make changes to access rights, we require the approval from your company’s owner, CEO, President, or other corporate officer. To get started, Click on the “Dealer Site” icon on the bottom half of the www.emtek.com home page, and then select “Forms & Instructions”. Please complete the “Dealer Portal Access Rights Form” and email to: dealerportal.emtek@assaabloy.com. Should you have any questions, please contact Customer Service.

NO CHARGE SAMPLE PROGRAM

Sample Program

Samples are gladly provided at no charge to authorized dealers, under the following conditions:

- ½ Door Lock Dummy (max 2)
- ½ Pair of Hinges (max 2)
- Cabinet Knob or Pull (max 3)
- Door Accessory (max 1)

A shipping and handling fee of \$2.50 per sample will be applied to your order (\$2.50 for one sample, \$5.00 for two samples, \$7.50 for three samples, etc.)

Sample Order Exceptions

- Samples must be different product codes.
- Samples do not include active door hardware sets, 8" or larger cabinet pulls, door pulls, appliance pulls, electronic locks, entry sets, bath hardware or door accessories over \$75 list.

Placing a Sample Order

- Send orders to samples@emtek.com or place by fax, phone, or mail.
- Write "NO CHARGE SAMPLE" on the order.
- Standard shipment upgrade charges will apply for expedited freight requests.
- Orders for sample products must be placed separately and not combined with other products.
- Emtek does not require samples to be returned.

No Restocking Fee Charged for Sample Orders with Exceptions

- Send orders to samples@emtek.com or place by fax, phone, or mail.
- Write "DEALER SAMPLE" on the order.
- Keep the samples you want and return the samples you don't.
- Contact Customer Service for Return Authorization in advance to ensure a restock fee is not applied to the return.
- Product must be returned in its original condition.
- Return freight charge of \$15.00 per label/carton in the United States or \$30.00 per label/carton in Canada or Mexico. This charge will be deducted from the credit issued for each call tag.
- No freight will be charged if the return is sent prepaid.

NO CHARGE DISPLAY PROGRAM

Display Program

Emtek offers a variety of quality, well-crafted displays. We take great pride in the quality of our displays, which are hand-built in our Southern California facility by our talented craftsmen.

- Click on the "Dealer Site" icon on the right side of the bottom half of the www.emtek.com home page, and then select "Displays".
- Browse our online catalog using the navigation system on the left column to view by function, style, or material.

Placing a Display Order

Please contact your local sales representative for ordering information.

Product for use on Displays in your Showroom

Thank you for considering Emtek products for use on door displays and kitchen/bath vignettes installed in your showroom. Please contact your local sales representative for ordering information.

Minimum Advertised Price Policy

Effective February 6, 2017

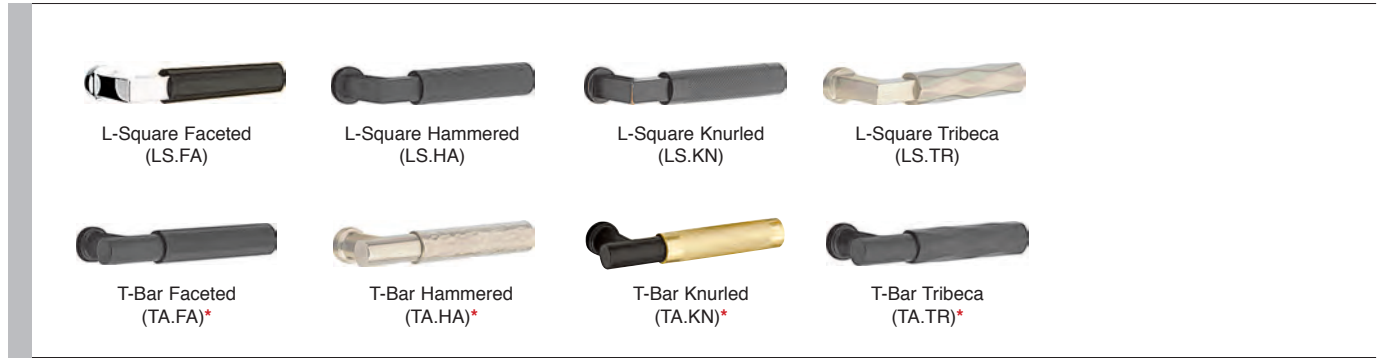
Emtek has determined that in order to better compete against existing competitors it must exercise a greater degree of control over the distribution of its products. Therefore, all sales of Emtek products will be subject to this Policy. This Policy has been unilaterally adopted and will be enforced strictly and uniformly.

Although resellers remain free to establish their own resale prices, to the extent that any customer elects to advertise products of Emtek in any manner, that is in print, in electronic media, on its website, etc., and provides price information for such products, that price information must be no less than List Price less 20%, this is the Minimum Advertised Price (MAP). Advertisements and offers to sell that do not include a particular price, but require further action that implies a price that is lower than the Minimum Advertised Price violate the MAP Policy. Examples of such unauthorized advertisements include "drop in cart" pricing, "add to cart" pricing, "click to see" pricing, and discount coupon pricing. Also prohibited are advertisements that indicate that discounts may be available when a customer takes specific action that goes beyond buying the product, such as "special price option" or "name your price."

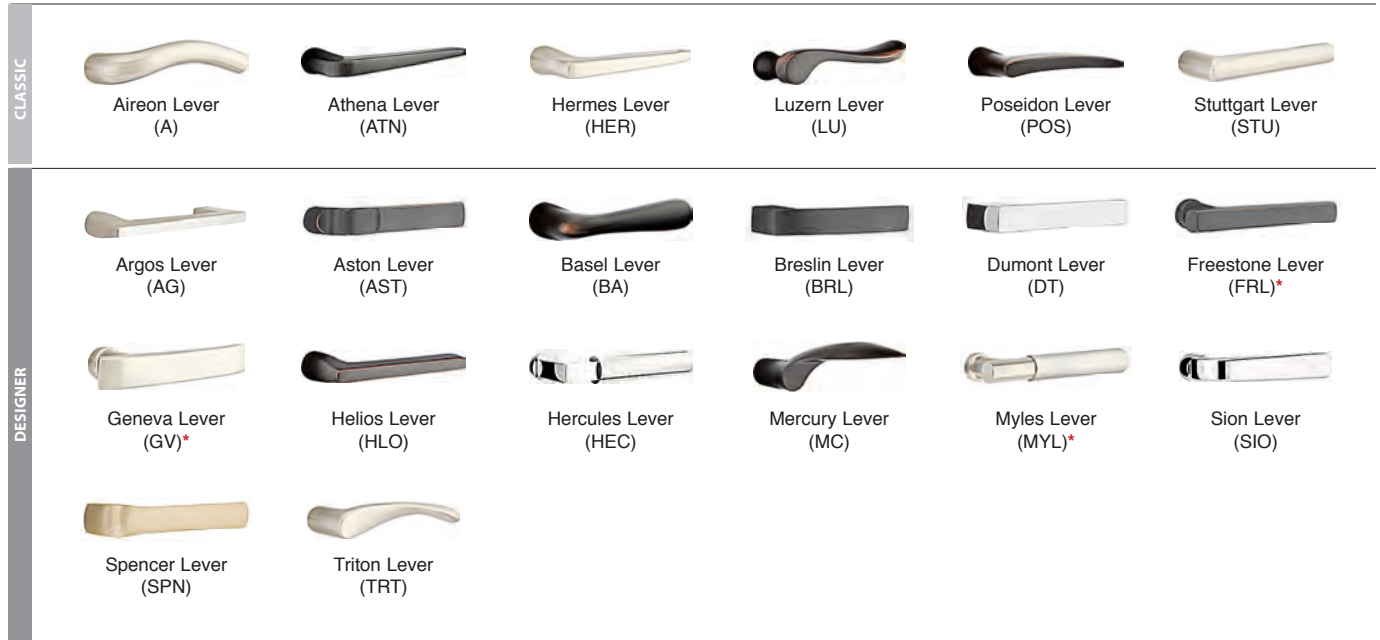
To assure fair business practices, we will strictly enforce this policy. Violations of this MAP Policy will include termination of our business relationship with a customer. On the first offense there will be a written notice counseling any customer that disregards this policy. Any customer who violates the policy a second time, within one year of receiving a written notice of a first violation, will be terminated.

Emtek will not discuss any conditions of acceptance related to this Policy, as it is non-negotiable and will not be altered for any dealer. In addition, Emtek neither solicits, nor will it accept, any assurance of compliance with this Policy. Nothing in this Policy shall constitute an agreement between Emtek and any reseller that the reseller will comply with this Policy.

SELECT BRASS



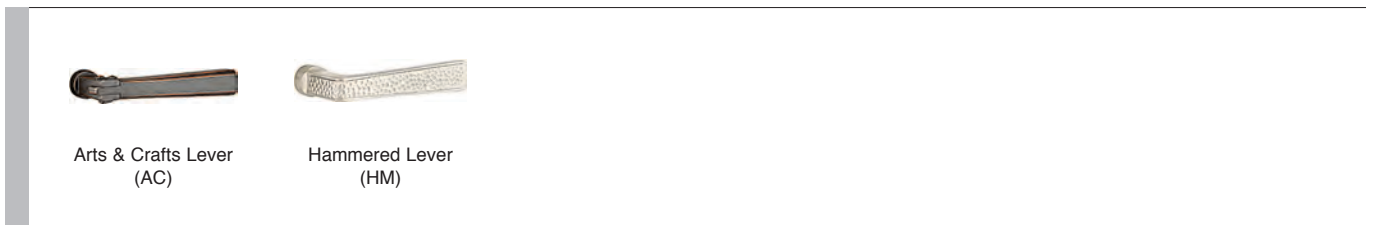
MODERN BRASS



SOLID BRASS



ARTS & CRAFTS BRASS



* Note: You will need to ensure the necessary opening/closing clearance when using certain lever designs. Dimensions from the center of the stem to the end of the lever overhang have been provided: T-Bar 3/4", Geneva 1 1/8", Myles 3/4", Freestone 1", Yuma 1 1/8".

SANDCAST BRONZE



Aurora Lever
(AR)



Bryce Lever
(BR)



Cimarron Lever
(CR)



Cody Lever
(CD)



Durango Lever
(D)



Lariat Lever
(LR)



Mariposa Lever
(MA)



Montrose Lever
(MT)



Teton Lever
(TT)



Yuma Lever
(YM)*

LOST WAX CAST BRONZE



Medici Lever
(MDI)



Napoli Lever
(NA)



Octagon Lever
(OCL)



Padua Lever
(PD)

STAINLESS STEEL



Athena Lever
(AT)



Cologne Lever
(CO)



Dresden Lever
(DD)



Helios Lever
(HL)



Hercules Lever
(HS)



Hermes Lever
(HES)



Kiel Lever
(KL)

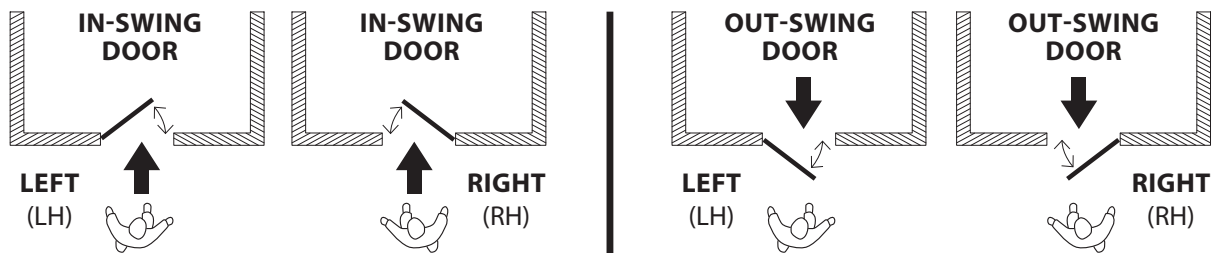


Poseidon Lever
(PO)



Stuttgart Lever
(STT)

Determining handing for door hardware is different than determining handing for carpentry (ordering and hanging doors). If you follow the standard carpentry rules for handing door hardware, instead of following the diagram below, there is good chance you may end up with a lock that is handed incorrectly. Please refer to the diagram below and if you have any questions, call Customer Service at (800) 356-2741, Option 1.



HANDING OF DOOR IS ALWAYS DETERMINED FROM THE OUTSIDE

SELECT BRASS



L-Square Faceted
(LS.FA)



L-Square Hammered
(LS.HA)



L-Square Knurled
(LS.KN)



L-Square Tribeca
(LS.TR)



T-Bar Faceted
(TA.FA)



T-Bar Hammered
(TA.HA)



T-Bar Knurled
(TA.KN)



T-Bar Tribeca
(TA.TR)

MODERN BRASS

CLASSIC



Aireon Lever
(A)



Athena Lever
(ATN)



Hermes Lever
(HER)



Luzern Lever
(LU)



Poseidon Lever
(POS)



Stuttgart Lever
(STU)

DESIGNER



Argos Lever
(AG)



Aston Lever
(AST)



Basel Lever
(BA)



Breslin Lever
(BRL)



Dumont Lever
(DT)



Freestone Lever
(FRL)



Geneva Lever
(GV)



Helios Lever
(HLO)



Hercules Lever
(HEC)



Mercury Lever
(MC)



Myles Lever
(MYL)



Sion Lever
(SIO)



Spencer Lever
(SPN)



Triton Lever
(TRT)

SOLID BRASS

CLASSIC



Cortina Lever
(C)



Milano Lever
(M)



Rustic Lever
(R)



Turino Lever
(T)

DESIGNER



Coventry Lever
(CV)



Elan Lever
(EN)



Merrimack Lever
(ME)



Ribbon & Reed Lever
(RBL)



Rope Lever
(RL)



Santa Fe Lever
(SF)



Wembley Lever
(WM)

ARTS & CRAFTS BRASS



Arts & Crafts Lever
(AC)



Hammered Lever
(HM)



		US3 Lifetime	US4	US7	US10B	US14 Lifetime	US15	US15A	US19	US26	US3NL*
SELECT Brass Levers	L-Square Faceted (LS.FA)		●		●	●	●		●	●	●
	L-Square Hammered (LS.HA)		●		●	●	●		●	●	●
	L-Square Knurled (LS.KN)		●		●	●	●		●	●	●
	L-Square Tribeca (LS.TR)		●		●	●	●		●	●	●
	T-Bar Faceted (TA.FA)		●		●	●	●		●	●	●
	T-Bar Hammered (TA.HA)		●		●	●	●		●	●	●
	T-Bar Knurled (TA.KN)		●		●	●	●		●	●	●
	T-Bar Tribeca (TA.TR)		●		●	●	●		●	●	●
Modern Classic Brass Levers	Aireon Lever (A)		●		●		●		●	●	●
	Athena Lever (ATN)		●		●		●		●	●	●
	Hermes Lever (HER)		●		●		●		●	●	●
	Luzern Lever (LU)		●		●	●	●		●	●	●
	Poseidon Lever (POS)		●		●		●		●	●	●
	Stuttgart Lever (STU)		●		●	●	●		●	●	●
Modern Designer Brass Levers	Argos Lever (AG)		●		●	●	●		●	●	●
	Aston Lever (AST)		●		●	●	●		●	●	●
	Basel Lever (BA)		●		●		●		●	●	●
	Breslin Lever (BRL)		●		●	●	●		●	●	●
	Dumont Lever (DT)		●		●	●	●		●	●	●
	Freestone Lever (FRL)		●		●	●	●		●	●	●
	Geneva Lever (GV)		●		●	●	●		●	●	●
	Helios Lever (HLO)		●		●	●	●		●	●	●
	Hercules Lever (HEC)		●		●	●	●		●	●	●
	Mercury Lever (MC)		●		●		●		●	●	●
	Myles Lever (MYL)		●		●	●	●		●	●	●
	Sion Lever (SIO)		●		●		●		●	●	●
	Spencer Lever (SPN)		●		●	●	●		●	●	●
	Triton Lever (TRT)		●		●		●		●	●	●
Classic Brass Levers	Cortina Lever (C)	●		●	●	●	●	●	●	●	●
	Milano Lever (M)	●		●	●	●	●	●	●	●	●
	Rustic Lever (R)	●		●	●		●	●	●	●	●
	Turino Lever (T)	●		●	●	●	●	●	●	●	●
Designer Brass Levers	Coventry Lever (CV)	●		●	●		●	●		●	●
	Elan Lever (EN)	●		●	●		●	●		●	●
	Merrimack Lever (ME)	●		●	●	●	●	●	●	●	●
	Ribbon & Reed Lever (RBL)	●		●	●		●	●		●	●
	Rope Lever (RL)	●		●	●		●	●		●	●
	Santa Fe Lever (SF)	●		●	●		●	●		●	●
	Wembley Lever (WM)	●		●	●		●	●		●	●
Arts & Crafts	Arts & Crafts Lever (AC)				●		●		●		●
	Hammered Lever (HM)				●		●		●		●

*Unlacquered Brass (US3NL) is a custom, made-to-order finish. It is available with an upcharge, per item and requires an additional 2-3 day lead time. This living finish will gracefully age and evolve in appearance over time. Because of this characteristic, no finish warranty is offered on unlacquered brass products.

SANDCAST BRONZE



Aurora Lever
(AR)



Bryce Lever
(BR)



Cimarron Lever
(CR)



Cody Lever
(CD)



Durango Lever
(D)



Lariat Lever
(LR)



Mariposa Lever
(MA)



Montrose Lever
(MT)



Teton Lever
(TT)



Yuma Lever
(YM)

LOST WAX CAST BRONZE



Medici Lever
(MDI)



Napoli Lever
(NA)



Octagon Lever
(OCL)



Padua Lever
(PD)

STAINLESS STEEL



Athena Lever
(AT)



Cologne Lever
(CO)



Dresden Lever
(DD)



Helios Lever
(HL)



Hercules Lever
(HS)



Hermes Lever
(HES)



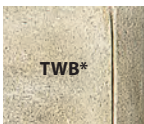
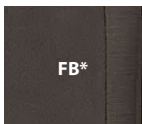
Kiel Lever
(KL)



Poseidon Lever
(PO)



Stuttgart Lever
(STT)



**Sandcast
Bronze Levers**

	FB*	MB*	TWB*
Aurora Lever (AR)	●	●	●
Bryce Lever (BR)	●	●	●
Cimarron Lever (CR)	●	●	●
Cody Lever (CD)	●	●	●
Durango Lever (D)	●	●	●
Lariat Lever (LR)	●	●	●
Mariposa Lever (MA)	●	●	●
Montrose Lever (MT)	●	●	●
Teton Lever (TT)	●	●	●
Yuma Lever (YM)	●	●	●

**Lost Wax Cast
Bronze Levers**

	FB*	MB*
Medici Lever (MDI)	●	●
Napoli Lever (NA)	●	●
Octagon Lever (OCL)	●	●
Padua Lever (PD)	●	●

**Stainless Steel
Levers**

	SS**
Athena Lever (AT)	●
Cologne Lever (CO)	●
Dresden Lever (DD)	●
Helios Lever (HL)	●
Hercules Lever (HS)	●
Hermes Lever (HES)	●
Kiel Lever (KL)	●
Poseidon Lever (PO)	●
Stuttgart Lever (STT)	●

***Bronze Patina** is a living finish that will gracefully age, revealing the underlying bronze over time. Because of this characteristic, no finish warranty is offered on bronze patina products.

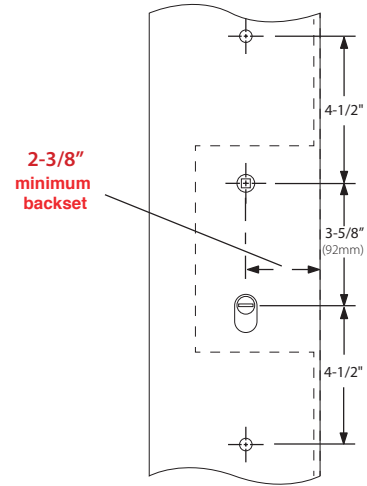
****Brushed Stainless Steel** carries a five-year finish warranty. All stainless steel will require some periodic cleaning to keep your hardware looking like new.

LARGE MULTI POINT ENTRY SETS

American Cylinder Hub, **Above / Below** Handle
3⁵/₈" Center to Center

2³/₈" Minimum Backset Required

Each Multi Point Lock Trim now includes the Spring Assist function which returns the lever to the neutral position and eliminates sagging handles.



Modern Rectangular
 American Cylinder **Above** Handle
 2¹/₂" x 17¹/₂" Keyed



Modern Rectangular
 American Cylinder **Below** Handle
 2¹/₂" x 17¹/₂" Keyed

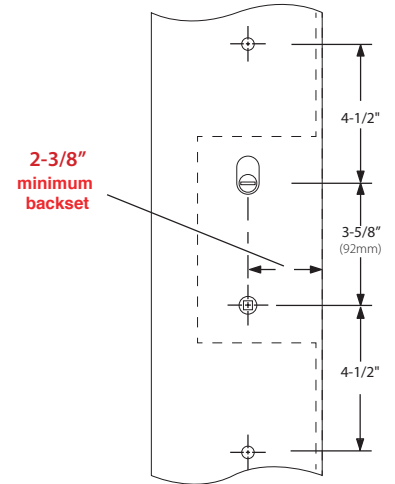
BRASS PLATES, MODERN RECTANGULAR STYLE	Product Code	Lever Style (LH/RH)	Finish	List Price
Sets with 2.5" x 17.5" Plates				
Keyed with American Cylinder, Hub ABOVE Handle (Schlage® Keyway standard, Weiser® Keyway optional, rekeyable)	1LR1	<i>See Page 8 for Brass & Modern Brass Lever Options.</i>	Satin Brass (US4) Oil Rubbed Bronze (US10B) Polished Nickel - Lifetime (US14) Satin Nickel (US15) Flat Black (US19) Polished Chrome (US26) Unlacquered Brass (US3NL)*	\$364.00
Dummy Pair	1LR2		\$364.00	
Keyed with American Cylinder, Hub BELOW Handle (Schlage® Keyway standard, Weiser® Keyway optional, rekeyable)	1LR3		\$364.00	
Dummy Pair	1LR4		\$364.00	
			*Unlacquered Brass (US3NL) finish available for a \$50 List Price upcharge per item.	

Handing Required

- Key codes may be specified. Fits standard door thickness of 1³/₄". Specify if thicker.
- Set includes plates, handles and cylinders (where applicable). Multi Point lock mechanism is not included.

Weiser®(WR5) Keyway

- Specify by adding "W" to the beginning of Product Code.
- No upcharge for cylinder substitution. Can be keyed into existing Weiser® system.



Brass Melrose
American Cylinder **Above** Handle
2 7/8" x 17 1/2" Keyed



Brass Melrose
American Cylinder **Below** Handle
2 7/8" x 17 1/2" Keyed

BRASS PLATES, MELROSE STYLE	Product Code	Lever Style (LH/RH)	Finish	List Price
Sets with 2.9" x 17.5" Plates		<i>See Page 8 for Brass & Modern Brass Lever Options.</i>	Polished Brass - Lifetime (US3) French Antique (US7) Oil Rubbed Bronze (US10B) Polished Nickel - Lifetime (US14) Satin Nickel (US15) Pewter (US15A) Flat Black (US19) Polished Chrome (US26) Unlacquered Brass (US3NL)*	
Keyed with American Cylinder, Hub ABOVE Handle (Schlage [®] Keyway standard, Weiser [®] Keyway optional, rekeyable)	1LM1		\$364.00	
Dummy Pair	1LM2		\$364.00	
Keyed with American Cylinder, Hub BELOW Handle (Schlage [®] Keyway standard, Weiser [®] Keyway optional, rekeyable)	1LM3		\$364.00	
Dummy Pair	1LM4		\$364.00	
			*Unlacquered Brass (US3NL) finish available for a \$50 List Price upcharge per item.	

Handing Required

- Key codes may be specified. Fits standard door thickness of 1 3/4". Specify if thicker.
- Set includes plates, handles and cylinders (where applicable). Multi Point lock mechanism is not included.

Weiser[®] (WR5) Keyway

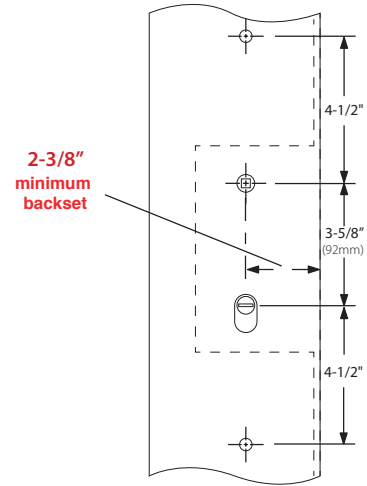
- Specify by adding "W" to the beginning of Product Code.
- No upcharge for cylinder substitution. Can be keyed into existing Weiser[®] system.

LARGE MULTI POINT ENTRY SETS

American Cylinder Hub, **Above / Below** Handle
3⁵/₈" Center to Center

2³/₈" Minimum Backset Required

Each Multi Point Lock Trim now includes the Spring Assist function which returns the lever to the neutral position and eliminates sagging handles.



Sandcast Bronze Arched
American Cylinder **Above** Handle
3" x 17¹/₂" Keyed



Sandcast Bronze Arched
American Cylinder **Below** Handle
3" x 17¹/₂" Dummy

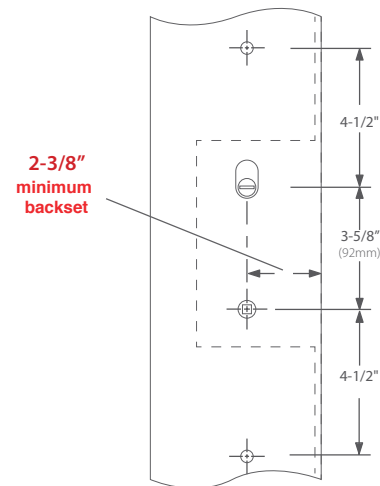
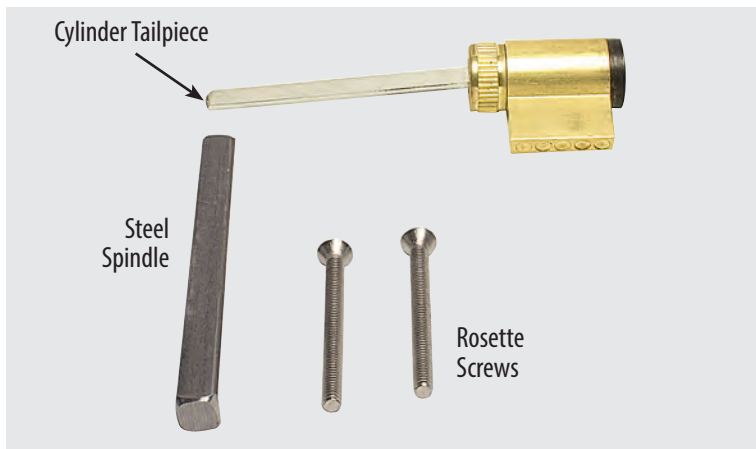
SANDCAST BRONZE PLATES, ARCHED STYLE	Product Code	Lever Style (LH/RH)	Finish	List Price
Sets with 3" x 17.5" Plates		<i>See Page 9 for Sandcast Bronze Lever Options.</i>	Flat Black Bronze (FB) Medium Bronze (MB) Tumbled White Bronze (TWB)	
Keyed with American Cylinder, Hub ABOVE Handle (Schlage® Keyway standard, Weiser® Keyway optional, rekeyable)	1LA1			\$468.00
Dummy Pair	1LA2			\$468.00
Keyed with American Cylinder, Hub BELOW Handle (Schlage® Keyway standard, Weiser® Keyway optional, rekeyable)	1LA3			\$468.00
Dummy Pair	1LA4		\$468.00	

Handing Required

- Key codes may be specified. Fits standard door thickness of 1³/₄". Specify if thicker.
- Set includes plates, handles and cylinders (where applicable). Multi Point lock mechanism is not included.

Weiser®(WR5) Keyway

- Specify by adding "W" to the beginning of Product Code.
- No upcharge for cylinder substitution. Can be keyed into existing Weiser® system.



Keyed Plates with American Cylinder

Standard Door Thickness: from 1 5/8" to 2"
Standard Components: • Single Cylinder Tailpiece • 3 3/4" Steel Spindle • 2" Rosette Screws • 1 1/2" Rosette Screws for 1 5/8" thick door

Extended Door Thickness: Over 2" to 2 3/4"
Extended Components: • Long Single Cylinder Tailpiece • 4 1/2" Steel Spindle • 2 1/2" Rosette Screws • 2" Rosette Screws for 2" - 2 1/8" thick door

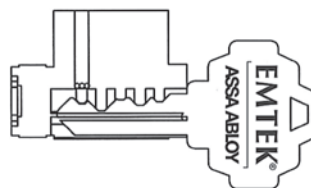
Dummy Plates

Standard Door Thickness: from 1 5/8" to 2"
Standard Components: • 2" Rosette Screws • 1 1/2" Rosette Screws for 1 5/8" thick door

Extended Door Thickness: Over 2" to 2 3/4"
Extended Components: • 2 1/2" Rosette Screws • 2" Rosette Screws for 2" - 2 1/8" thick door

CONSTRUCTION KEYING

- Lost ball system.
- Last four pin locations drilled for lost ball application.
- Master key pins used for code variability.
- Construction keys and owner keys sent separately.
- Order by indicating "Construction Keyed, House #_" next to applicable locks.



- Construction devices used on one or more of last four positions.



- Dimples drilled in plug in this position.

Charge for Construction Keying - \$3.00 (NET)
• Locks that are both construction keyed and keyed alike in a house group will be charged a total of \$5.00 (NET) per cylinder.

Charge for Re-Keying - \$2.00 (NET) per Cylinder
• Locks that are keyed to code or keyed alike in a house group will be charged \$2.00 (NET) per cylinder.

Keying to Code
• Order by indicating "Key Code XXXXX" next to applicable locks.

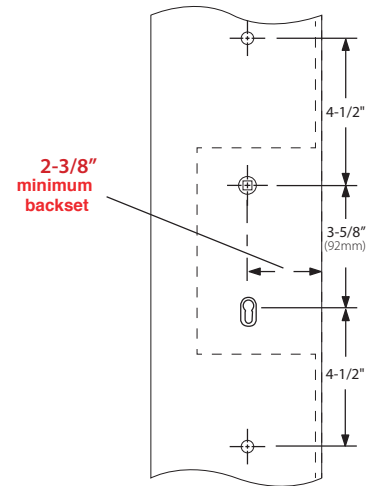
Keying Alike
• Order by indicating "Keyed Alike" next to applicable locks if only one keyed alike group is wanted.
• If ordering multiple groups (houses) indicate "Keyed Alike House #_" next to applicable locks.

LARGE MULTI POINT ENTRY SETS

Euro Cylinder Hub, *Below* Handle
3⁵/₈" Center to Center

2³/₈" Minimum Backset Required

Each Multi Point Lock Trim now includes the Spring Assist function which returns the lever to the neutral position and eliminates sagging handles.



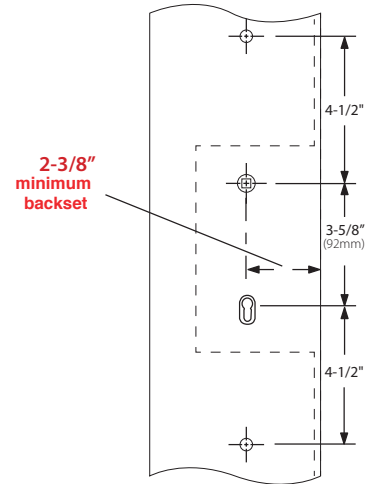
Modern Rectangular
 Euro Cylinder *Below* Handle
 2¹/₂" x 17¹/₂" Keyed

BRASS PLATES, MODERN RECTANGULAR STYLE	Product Code	Lever Style (LH/RH)	Finish	List Price
Sets with 2.5" x 17.5" Plates		<i>See Page 8 for Brass & Modern Brass Lever Options.</i>		
Keyed with Euro Profile Cylinder, Hub BELOW Handle (Schlage® Keyway standard, Rekeyable)	2LR1		Satin Brass (US4) Oil Rubbed Bronze (US10B) Polished Nickel - Lifetime (US14) Satin Nickel (US15) Flat Black (US19) Polished Chrome (US26) Unlacquered Brass (US3NL)*	\$364.00
Dummy Pair	2LR2			\$364.00
			*Unlacquered Brass (US3NL) finish available for a \$50 List Price upcharge per item.	

Handing Required

- Key codes may be specified. Fits standard door thickness of 1³/₄". Specify if thicker.
- Set includes plates, handles and cylinders (where applicable). Multi Point lock mechanism is not included.

Weiser® keyway not available with Euro cylinder.



Brass Melrose
Euro Cylinder *Below* Handle
2 7/8" x 17 1/2" Keyed

BRASS PLATES, MELROSE STYLE	Product Code	Lever Style (LH/RH)	Finish	List Price
Sets with 2.9" x 17.5" Plates		<i>See Page 8 for Brass & Modern Brass Lever Options.</i>		
Keyed with Euro Profile Cylinder , Hub BELOW Handle (Schlage® Keyway standard, Rekeyable)	2LM1		Polished Brass - Lifetime (US3) French Antique (US7) Oil Rubbed Bronze (US10B) Polished Nickel - Lifetime (US14) Satin Nickel (US15) Pewter (US15A) Flat Black (US19) Polished Chrome (US26) Unlacquered Brass (US3NL)*	\$364.00
Dummy Pair	2LM2			\$364.00
			*Unlacquered Brass (US3NL) finish available for a \$50 List Price upcharge per item.	

Handing Required

- Key codes may be specified. Fits standard door thickness of 1 3/4". Specify if thicker.
- Set includes plates, handles and cylinders (where applicable). Multi Point lock mechanism is not included.

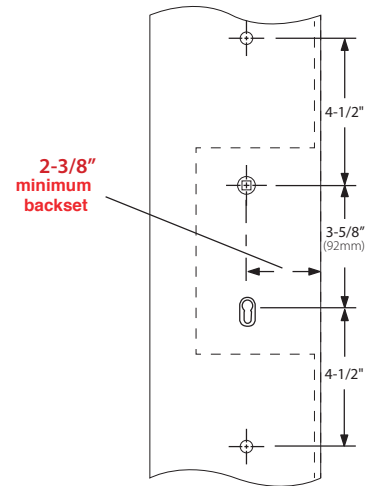
Weiser® keyway not available with Euro cylinder.

LARGE MULTI POINT ENTRY SETS

Euro Cylinder Hub, *Below* Handle
3⁵/₈" Center to Center

2³/₈" Minimum Backset Required

Each Multi Point Lock Trim now includes the Spring Assist function which returns the lever to the neutral position and eliminates sagging handles.



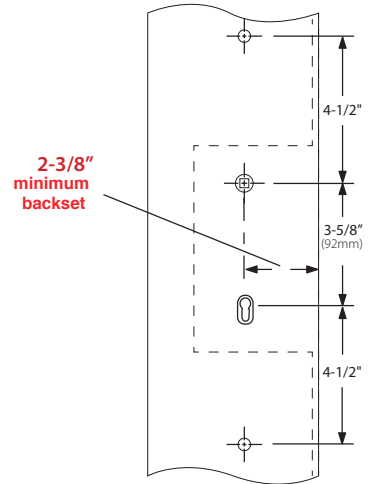
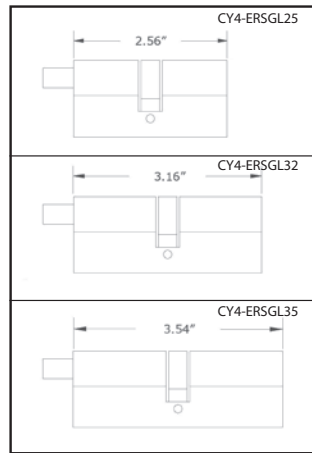
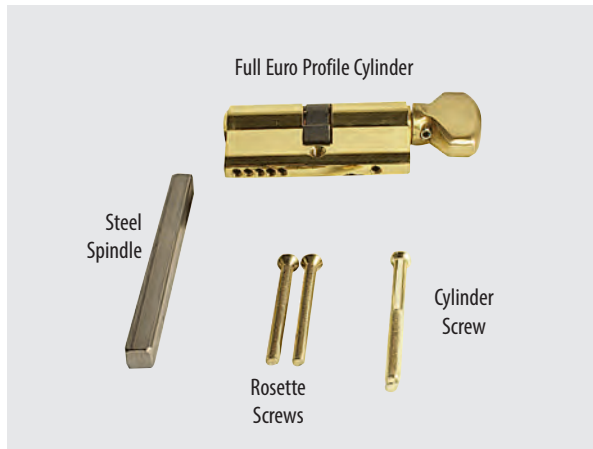
Sandcast Bronze Arched
 Euro Cylinder *Below* Handle
 3" x 17¹/₂" Keyed

SANDCAST BRONZE PLATES, ARCHED STYLE	Product Code	Lever Style (LH/RH)	Finish	List Price
Sets with 3" x 17.5" Plates		<i>See Page 9 for Sandcast Bronze Lever Options.</i>	Flat Black Bronze (FB) Medium Bronze (MB) Tumbled White Bronze (TWB)	
Keyed with Euro Profile Cylinder, Hub BELOW Handle (Schlage® Keyway standard, Rekeyable)	2LA1			\$468.00
Dummy Pair	2LA2			\$468.00

Handing Required

- Key codes may be specified. Fits standard door thickness of 1³/₄". Specify if thicker.
- Set includes plates, handles and cylinders (where applicable). Multi Point lock mechanism is not included.

Weiser® keyway not available with Euro cylinder.



Keyed Plates with Euro Profile Cylinder

Standard Door Thickness: from 1 5/8" to 2"	Extended Door Thickness: Over 2" to 2 1/2"	Extended Door Thickness: Over 2 1/2" to 2 3/4"
Standard Components: <ul style="list-style-type: none"> • 2 9/16" Euro Profile Cylinder • 3 3/4" Steel Spindle • 1 1/2" Rosette Screws 	Extended Components: <ul style="list-style-type: none"> • 3 5/8" Euro Profile Cylinder • 4 1/2" Steel Spindle • 2" Rosette Screws 	Extended Components: <ul style="list-style-type: none"> • 3 1/2" Euro Profile Cylinder • 5" Steel Spindle • 3" Rosette Screws

Dummy Plates

Standard Door Thickness: from 1 5/8" to 2"	Extended Door Thickness: Over 2" to 2 3/4"
Standard Components: <ul style="list-style-type: none"> • 2" Rosette Screws • 1 1/2" Rosette Screws for 1 5/8" thick door 	Extended Components: <ul style="list-style-type: none"> • 2 1/2" Rosette Screws • 2" Rosette Screws for 2" - 2 1/8" thick door

CUSTOM KEYING

Charge for Re-Keying - \$2.00 (NET) per Cylinder <ul style="list-style-type: none"> • Locks that are keyed to code or keyed alike in a house group will be charged \$2.00 (NET) per cylinder.
Keying to Code <ul style="list-style-type: none"> • Order by indicating "Key Code XXXXX" next to applicable locks.
Keying Alike <ul style="list-style-type: none"> • Order by indicating "Keyed Alike" next to applicable locks if only one keyed alike group is wanted. • If ordering multiple groups (houses) indicate "Keyed Alike House #_" next to applicable locks.

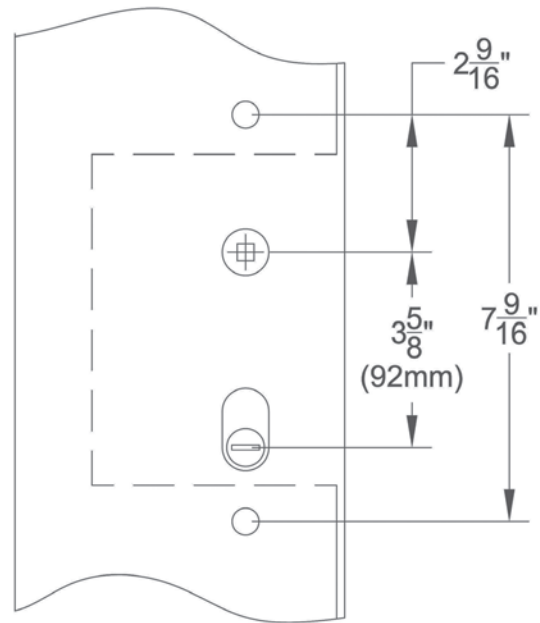
DOOR CONFIGURATION

#1

American Cylinder Hub Below Handle 3⁵/₈" Center-to-Center

ref. Atrium®, G-U®, KML by Andersen®, Andersen®
Marvin Integrity®, Paddock Lockmaster™, Superior®

Each Multi Point Lock Trim now includes the Spring Assist function which returns the lever to the neutral position and eliminates sagging handles.



Brass Concord
1¹/₂" x 11" Non-Keyed
Rustic Levers



Brass Concord
2" x 10" Keyed
Cortina Levers

BRASS PLATES, CONCORD STYLE	Product Code	Lever Style (LH/RH)	Finish	List Price
Sets with 1¹/₂" x 11" Plates		<i>See Page 8 for Brass & Modern Brass Lever Options.</i>	Polished Brass - Lifetime (US3) French Antique (US7) Oil Rubbed Bronze (US10B) Satin Nickel (US15) Pewter (US15A) Flat Black (US19) Polished Chrome (US26) Unlacquered Brass (US3NL)*	\$203.00
Keyed with American Cylinder (Schlage® Keyway standard, Weiser® Keyway optional, rekeyable)	1171			
Non-Keyed Passage	1172			
Non-Keyed American Style Thumbturn Inside	1173			
Non-Keyed Fixed Handle Outside, Operating Handle Inside	1174			
Dummy Pair	1175			
Sets with 2" x 10" Plates				
Keyed with American Cylinder (Schlage® Keyway standard, Weiser® Keyway optional, rekeyable)	1181			
Non-Keyed Passage	1182			
Non-Keyed American Style Thumbturn Inside	1183			
Non-Keyed Fixed Handle Outside, Operating Handle Inside	1184			
Dummy Pair	1185			

***Unlacquered Brass (US3NL)**
finish available for a \$40 List Price
upcharge per item.

Handing Required

- Key codes may be specified. Fits standard door thickness of 1³/₄". Specify if thicker.
- Set includes plates, handles and cylinders (where applicable). Multi Point lock mechanism is not included.

Weiser®(WR5) Keyway

- Specify by adding "W" to the beginning of Product Code.
- No upcharge for cylinder substitution. Can be keyed into existing Weiser® system.



BRASS PLATES, MODERN STYLE	Product Code	Lever Style (LH/RH)	Finish	List Price
Sets with 1 1/2" x 11" Plates		<i>See Page 8 for Brass & Modern Brass Lever Options.</i>	Satin Brass (US4) Oil Rubbed Bronze (US10B) Polished Nickel - Lifetime (US14) Satin Nickel (US15) Flat Black (US19) Polished Chrome (US26) Unlacquered Brass (US3NL)*	\$203.00
Keyed with American Cylinder (Schlage® Keyway standard, Weiser® Keyway optional, rekeyable)	11A1			
Non-Keyed Passage	11A2			
Non-Keyed American Style Thumbturn Inside	11A3			
Non-Keyed Fixed Handle Outside, Operating Handle Inside	11A4			
Dummy Pair	11A5			
Sets with 2" x 10" Plates				
Keyed with American Cylinder (Schlage® Keyway standard, Weiser® Keyway optional, rekeyable)	11B1			
Non-Keyed Passage	11B2			
Non-Keyed American Style Thumbturn Inside	11B3			
Non-Keyed Fixed Handle Outside, Operating Handle Inside	11B4			
Dummy Pair	11B5			

***Unlacquered Brass (US3NL)** finish available for a \$40 List Price upcharge per item.



STAINLESS STEEL PLATES, MODERN STYLE	Product Code	Lever Style (LH/RH)	Finish	List Price
Sets with 1 1/2" x 11" Plates		<i>See Page 9 for Stainless Steel Lever Options.</i>	Stainless Steel (SS)	\$203.00
Keyed with American Cylinder (Schlage® Keyway standard, Weiser® Keyway optional, rekeyable)	11A1			
Non-Keyed Passage	11A2			
Non-Keyed American Style Thumbturn Inside	11A3			
Non-Keyed Fixed Handle Outside, Operating Handle Inside	11A4			
Dummy Pair	11A5			
Sets with 2" x 10" Plates				
Keyed with American Cylinder (Schlage® Keyway standard, Weiser® Keyway optional, rekeyable)	11B1			
Non-Keyed Passage	11B2			
Non-Keyed American Style Thumbturn Inside	11B3			
Non-Keyed Fixed Handle Outside, Operating Handle Inside	11B4			
Dummy Pair	11B5			

Handing Required

- Key codes may be specified. Fits standard door thickness of 1 3/4". Specify if thicker.
- Set includes plates, handles and cylinders (where applicable). Multi Point lock mechanism is not included.

Weiser® (WR5) Keyway

- Specify by adding "W" to the beginning of Product Code.
- No upcharge for cylinder substitution. Can be keyed into existing Weiser® system.

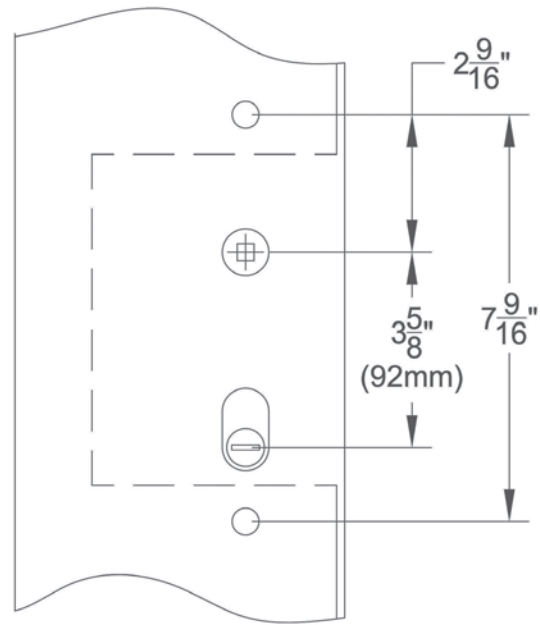
DOOR CONFIGURATION

#1

American Cylinder Hub Below Handle 3⁵/₈" Center-to-Center

ref. Atrium®, G-U®, KML by Andersen®, Andersen®
Marvin Integrity®, Paddock Lockmaster™, Superior®

Each Multi Point Lock Trim now includes the Spring Assist function which returns the lever to the neutral position and eliminates sagging handles.



Sandcast Arched
1 1/2" x 11" Non-Keyed
Cimarron Levers



Sandcast Arched
2" x 10" Keyed
Durango Levers

SANDCAST BRONZE PLATES, ARCHED STYLE	Product Code	Lever Style (LH/RH)	Finish	List Price
Sets with 1 1/2" x 11" Plates		<i>See Page 9 for Sandcast Bronze Lever Options.</i>	Flat Black Bronze (FB) Medium Bronze (MB) Tumbled White Bronze (TWB)	\$226.00
Keyed with American Cylinder (Schlage® Keyway standard, Weiser® Keyway optional, rekeyable)	1111			
Non-Keyed Passage	1112			
Non-Keyed American Style Thumbturn Inside	1113			
Non-Keyed Fixed Handle Outside, Operating Handle Inside	1114			
Dummy Pair	1115			
Sets with 2" x 10" Plates				
Keyed with American Cylinder (Schlage® Keyway standard, Weiser® Keyway optional, rekeyable)	1121			
Non-Keyed Passage	1122			
Non-Keyed American Style Thumbturn Inside	1123			
Non-Keyed Fixed Handle Outside, Operating Handle Inside	1124			
Dummy Pair	1125			

Handing Required

- Key codes may be specified. Fits standard door thickness of 1 3/4". Specify if thicker.
- Set includes plates, handles and cylinders (where applicable). Multi Point lock mechanism is not included.

Weiser®(WR5) Keyway

- Specify by adding "W" to the beginning of Product Code.
- No upcharge for cylinder substitution. Can be keyed into existing Weiser® system.



SANDCAST BRONZE PLATES, RECTANGULAR STYLE	Product Code	Lever Style (LH/RH)	Finish	List Price
Sets with 1 1/2" x 11" Plates	1151	<i>See Page 9 for Sandcast Bronze Lever Options.</i>	Flat Black Bronze (FB) Medium Bronze (MB) Tumbled White Bronze (TWB)	\$226.00
Keyed with American Cylinder (Schlage® Keyway standard, Weiser® Keyway optional, rekeyable)				
Non-Keyed Passage				
Non-Keyed American Style Thumbturn Inside				
Non-Keyed Fixed Handle Outside, Operating Handle Inside				
Dummy Pair	1155			
Sets with 2" x 10" Plates	1161			
Keyed with American Cylinder (Schlage® Keyway standard, Weiser® Keyway optional, rekeyable)				
Non-Keyed Passage				
Non-Keyed American Style Thumbturn Inside				
Non-Keyed Fixed Handle Outside, Operating Handle Inside				
Dummy Pair	1165			



LOST WAX CAST BRONZE PLATES, TUSCANY STYLE	Product Code	Lever Style (LH/RH)	Finish	List Price
Sets with 1 1/2" x 11" Plates	1131	<i>See Page 9 for Lost Wax Cast Bronze Lever Options.</i>	Flat Black Bronze (FB) Medium Bronze (MB)	\$226.00
Keyed with American Cylinder (Schlage® Keyway standard, Weiser® Keyway optional, rekeyable)				
Non-Keyed Passage				
Non-Keyed American Style Thumbturn Inside				
Non-Keyed Fixed Handle Outside, Operating Handle Inside				
Dummy Pair	1135			
Sets with 2" x 10" Plates	1141			
Keyed with American Cylinder (Schlage® Keyway standard, Weiser® Keyway optional, rekeyable)				
Non-Keyed Passage				
Non-Keyed American Style Thumbturn Inside				
Non-Keyed Fixed Handle Outside, Operating Handle Inside				
Dummy Pair	1145			

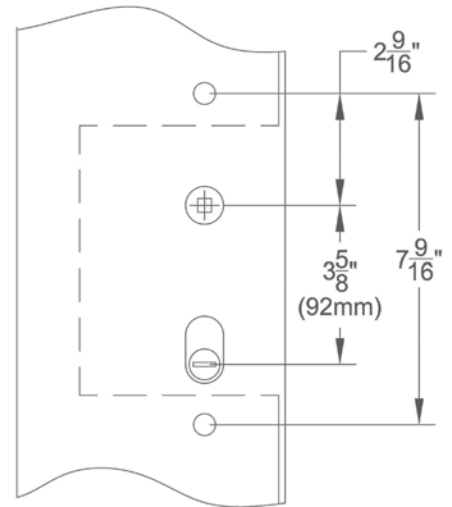
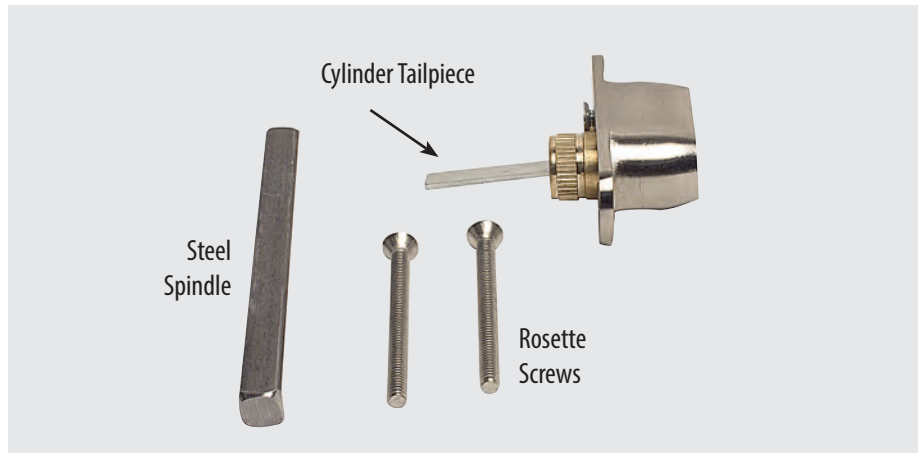
Handing Required

- Key codes may be specified. Fits standard door thickness of 1 3/4". Specify if thicker.
- Set includes plates, handles and cylinders (where applicable). Multi Point lock mechanism is not included.

Weiser® (WR5) Keyway

- Specify by adding "W" to the beginning of Product Code.
- No upcharge for cylinder substitution. Can be keyed into existing Weiser® system.

Door Configuration # 1 American Cylinder Below Handle 3 5/8" Center-to-Center



Keyed Plates with American Cylinder Includes non-keyed thumbturn inside

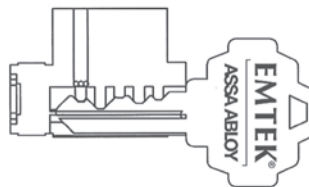
Standard Door Thickness: from 1 5/8" to 2"	Extended Door Thickness: Over 2" to 2 3/4"
Standard Components: <ul style="list-style-type: none"> • Single Cylinder Tailpiece • 3 3/4" Steel Spindle • 2" Rosette Screws • 1 1/2" Rosette Screws for 1 5/8" thick door 	Extended Components: <ul style="list-style-type: none"> • Long Single Cylinder Tailpiece • 4 1/2" Steel Spindle • 2 1/2" Rosette Screws • 2" Rosette Screws for 2" - 2 1/8" thick door

Non-Keyed Plates Includes non-keyed passage, fixed handle out/operating handle in, and dummy (uses screws only)

Standard Door Thickness: from 1 5/8" to 2"	Extended Door Thickness: Over 2" to 2 3/4"
Standard Components: <ul style="list-style-type: none"> • Thumbturn Tailpiece • 3 3/4" Steel Spindle (half-spindle for fixed handle out/operating handle in) • 2" Rosette Screws • 1 1/2" Rosette Screws for 1 5/8" thick door 	Extended Components: <ul style="list-style-type: none"> • Long Thumbturn Tailpiece • 4 1/2" Steel Spindle (half-spindle for fixed handle out/operating handle in) • 2 1/2" Rosette Screws • 2" Rosette Screws for 2" - 2 1/8" thick door

CONSTRUCTION KEYING

- Lost ball system.
- Last four pin locations drilled for lost ball application.
- Master key pins used for code variability.
- Construction keys and owner keys sent separately.
- Order by indicating "**Construction Keyed, House #_**" next to applicable locks.



- Construction devices used on one or more of last four positions.



- Dimples drilled in plug in this position.

Charge for Construction Keying - \$3.00 (NET)

- Locks that are both construction keyed and keyed alike in a house group will be charged a total of \$5.00 (NET) per cylinder.

Charge for Re-Keying - \$2.00 (NET) per Cylinder

- Locks that are keyed to code or keyed alike in a house group will be charged \$2.00 (NET) per cylinder.

Keying to Code

- Order by indicating "Key Code XXXXX" next to applicable locks.

Keying Alike

- Order by indicating "Keyed Alike" next to applicable locks if only one keyed alike group is wanted.
- If ordering multiple groups (houses) indicate "**Keyed Alike House #_**" next to applicable locks.

Set includes plates, handles and cylinders (where applicable). Multi Point lock mechanism is not included.

Atrium®, G-U®, KML by Andersen®, Andersen®, Marvin Integrity®, Paddock Lockmaster™, Superior®

Keyed with American Cylinder (for Active Door, Schlage® Keyway Standard, Weiser® Keyway Optional, Rekeyable)	
<p>1 ½" x 11" Plates, Product Codes 1111, 1131, 1151, 1171, 11A1</p>	<p>2" x 10" Plates, Product Codes 1121, 1141, 1161, 1181, 11B1</p>
Non-Keyed, Passage (for Semi-Active Door)	
<p>1 ½" x 11" Plates, Product Codes 1112, 1132, 1152, 1172, 11A2</p>	<p>2" x 10" Plates, Product Codes 1122, 1142, 1162, 1182, 11B2</p>
Non-Keyed, American Style Thumbturn Inside (for Active Door)	
<p>1 ½" x 11" Plates, Product Codes 1113, 1133, 1153, 1173, 11A3</p>	<p>2" x 10" Plates, Product Codes 1123, 1143, 1163, 1183, 11B3</p>
Non-Keyed, Fixed Handle Outside, Operating Handle Inside (for Semi-Active Door)	
<p>1 ½" x 11" Plates, Product Codes 1114, 1134, 1154, 1174, 11A4</p>	<p>2" x 10" Plates, Product Codes 1124, 1144, 1164, 1184, 11B4</p>
Dummy Pair (for Non-Active Door)	
<p>1 ½" x 11" Plates, Product Codes 1115, 1135, 1155, 1175, 11A5</p>	<p>2" x 10" Plates, Product Codes 1125, 1145, 1165, 1185, 11B5</p>

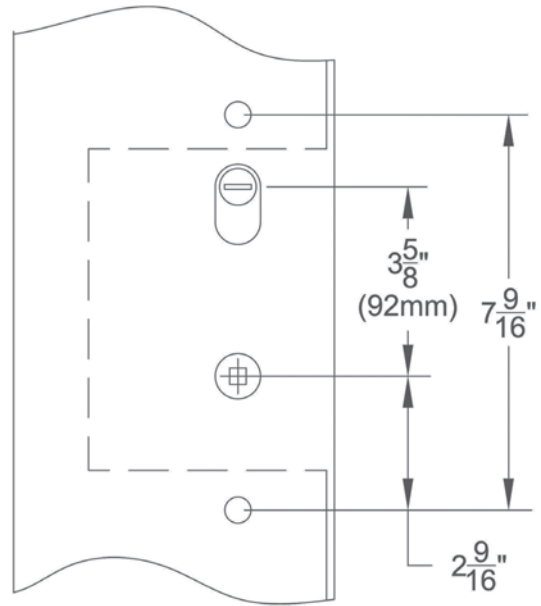
DOOR CONFIGURATION

#2

American Cylinder Hub Above Handle 3⁵/₈" Center-to-Center

ref. BiltBest®, G-U®, Hurd® (Energy Saver), Andersen®

Each Multi Point Lock Trim now includes the Spring Assist function which returns the lever to the neutral position and eliminates sagging handles.



Brass Concord
1¹/₂" x 11" Non-Keyed
Turino Levers



Brass Concord
2" x 10" Non-Keyed
Santa Fe Levers

BRASS PLATES, CONCORD STYLE	Product Code	Lever Style (LH/RH)	Finish	List Price
Sets with 1¹/₂" x 11" Plates		<i>See Page 8 for Brass & Modern Brass Lever Options.</i>	Polished Brass - Lifetime (US3) French Antique (US7) Oil Rubbed Bronze (US10B) Satin Nickel (US15) Pewter (US15A) Flat Black (US19) Polished Chrome (US26) Unlacquered Brass (US3NL)*	\$203.00
Keyed with American Cylinder (Schlage® Keyway standard, Weiser® Keyway optional, rekeyable)	1271			
Non-Keyed Passage	1272			
Non-Keyed American Style Thumbturn Inside	1273			
Non-Keyed Fixed Handle Outside, Operating Handle Inside	1274			
Dummy Pair	1275			
Sets with 2" x 10" Plates				
Keyed with American Cylinder (Schlage® Keyway standard, Weiser® Keyway optional, rekeyable)	1281			
Non-Keyed Passage	1282			
Non-Keyed American Style Thumbturn Inside	1283			
Non-Keyed Fixed Handle Outside, Operating Handle Inside	1284			
Dummy Pair	1285			

***Unlacquered Brass (US3NL)**
finish available for a \$40 List Price upcharge per item.

Handing Required

- Key codes may be specified. Fits standard door thickness of 1³/₄". Specify if thicker.
- Set includes plates, handles and cylinders (where applicable). Multi Point lock mechanism is not included.

Weiser®(WR5) Keyway

- Specify by adding "W" to the beginning of Product Code.
- No upcharge for cylinder substitution. Can be keyed into existing Weiser® system.



Brass Modern
1 1/2" x 11" Non-Keyed
Helios Levers



Brass Modern
2" x 10" Non-Keyed
Hercules Levers

BRASS PLATES, MODERN STYLE	Product Code	Lever Style (LH/RH)	Finish	List Price
Sets with 1 1/2" x 11" Plates		<i>See Page 8 for Brass & Modern Brass Lever Options.</i>	Satin Brass (US4) Oil Rubbed Bronze (US10B) Polished Nickel - Lifetime (US14) Satin Nickel (US15) Flat Black (US19) Polished Chrome (US26) Unlacquered Brass (US3NL)*	\$203.00
Keyed with American Cylinder (Schlage® Keyway standard, Weiser® Keyway optional, rekeyable)	12A1			
Non-Keyed Passage	12A2			
Non-Keyed American Style Thumbturn Inside	12A3			
Non-Keyed Fixed Handle Outside, Operating Handle Inside	12A4			
Dummy Pair	12A5			
Sets with 2" x 10" Plates				
Keyed with American Cylinder (Schlage® Keyway standard, Weiser® Keyway optional, rekeyable)	12B1			
Non-Keyed Passage	12B2			
Non-Keyed American Style Thumbturn Inside	12B3			
Non-Keyed Fixed Handle Outside, Operating Handle Inside	12B4			
Dummy Pair	12B5			

***Unlacquered Brass (US3NL)**
finish available for a \$40 List Price upcharge per item.



Stainless Steel
1 1/2" x 11" Keyed
Poseidon Levers



Stainless Steel
2" x 10" Non-Keyed
Hermes Levers

STAINLESS STEEL PLATES, MODERN STYLE	Product Code	Lever Style (LH/RH)	Finish	List Price
Sets with 1 1/2" x 11" Plates		<i>See Page 9 for Stainless Steel Lever Options.</i>	Stainless Steel (SS)	\$203.00
Keyed with American Cylinder (Schlage® Keyway standard, Weiser® Keyway optional, rekeyable)	12A1			
Non-Keyed Passage	12A2			
Non-Keyed American Style Thumbturn Inside	12A3			
Non-Keyed Fixed Handle Outside, Operating Handle Inside	12A4			
Dummy Pair	12A5			
Sets with 2" x 10" Plates				
Keyed with American Cylinder (Schlage® Keyway standard, Weiser® Keyway optional, rekeyable)	12B1			
Non-Keyed Passage	12B2			
Non-Keyed American Style Thumbturn Inside	12B3			
Non-Keyed Fixed Handle Outside, Operating Handle Inside	12B4			
Dummy Pair	12B5			

Handing Required

- Key codes may be specified. Fits standard door thickness of 1 3/4". Specify if thicker.
- Set includes plates, handles and cylinders (where applicable). Multi Point lock mechanism is not included.

Weiser® (WR5) Keyway

- Specify by adding "W" to the beginning of Product Code.
- No upcharge for cylinder substitution. Can be keyed into existing Weiser® system.

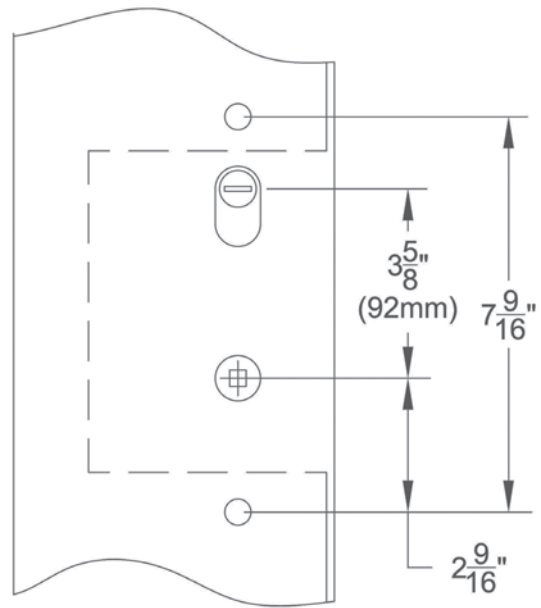
DOOR CONFIGURATION

#2

American Cylinder Hub Above Handle 3⁵/₈" Center-to-Center

ref. BiltBest®, G-U®, Hurd® (Energy Saver), Andersen®

Each Multi Point Lock Trim now includes the Spring Assist function which returns the lever to the neutral position and eliminates sagging handles.



Sandcast Arched
1¹/₂" x 11" Keyed
Durango Levers



Sandcast Arched
2" x 10" Keyed
Teton Levers

SANDCAST BRONZE PLATES, ARCHED STYLE	Product Code	Lever Style (LH/RH)	Finish	List Price
Sets with 1¹/₂" x 11" Plates		<i>See Page 9 for Sandcast Bronze Lever Options.</i>	Flat Black Bronze (FB) Medium Bronze (MB) Tumbled White Bronze (TWB)	\$226.00
Keyed with American Cylinder (Schlage® Keyway standard, Weiser® Keyway optional, rekeyable)	1211			
Non-Keyed Passage	1212			
Non-Keyed American Style Thumbturn Inside	1213			
Non-Keyed Fixed Handle Outside, Operating Handle Inside	1214			
Dummy Pair	1215			
Sets with 2" x 10" Plates				
Keyed with American Cylinder (Schlage® Keyway standard, Weiser® Keyway optional, rekeyable)	1221			
Non-Keyed Passage	1222			
Non-Keyed American Style Thumbturn Inside	1223			
Non-Keyed Fixed Handle Outside, Operating Handle Inside	1224			
Dummy Pair	1225			

Handing Required

- Key codes may be specified. Fits standard door thickness of 1³/₄". Specify if thicker.
- Set includes plates, handles and cylinders (where applicable). Multi Point lock mechanism is not included.

Weiser®(WR5) Keyway

- Specify by adding "W" to the beginning of Product Code.
- No upcharge for cylinder substitution. Can be keyed into existing Weiser® system.



Sandcast Rectangular
1 1/2" x 11" Keyed
Lariat Levers



Sandcast Rectangular
2" x 10" Keyed
Montrose Levers

SANDCAST BRONZE PLATES, RECTANGULAR STYLE	Product Code	Lever Style (LH/RH)	Finish	List Price
Sets with 1 1/2" x 11" Plates		<i>See Page 9 for Sandcast Bronze Lever Options.</i>	Flat Black Bronze (FB) Medium Bronze (MB) Tumbled White Bronze (TWB)	\$226.00
Keyed with American Cylinder (Schlage® Keyway standard, Weiser® Keyway optional, rekeyable)	1251			
Non-Keyed Passage	1252			
Non-Keyed American Style Thumbturn Inside	1253			
Non-Keyed Fixed Handle Outside, Operating Handle Inside	1254			
Dummy Pair	1255			
Sets with 2" x 10" Plates				
Keyed with American Cylinder (Schlage® Keyway standard, Weiser® Keyway optional, rekeyable)	1261			
Non-Keyed Passage	1262			
Non-Keyed American Style Thumbturn Inside	1263			
Non-Keyed Fixed Handle Outside, Operating Handle Inside	1264			
Dummy Pair	1265			



Bronze Tuscany
1 1/2" x 11" Non-Keyed
Napoli Levers



Bronze Tuscany
2" x 10" Non-Keyed
Padua Levers

LOST WAX CAST BRONZE PLATES, TUSCANY STYLE	Product Code	Lever Style (LH/RH)	Finish	List Price
Sets with 1 1/2" x 11" Plates		<i>See Page 9 for Lost Wax Cast Bronze Lever Options.</i>	Flat Black Bronze (FB) Medium Bronze (MB)	\$226.00
Keyed with American Cylinder (Schlage® Keyway standard, Weiser® Keyway optional, rekeyable)	1231			
Non-Keyed Passage	1232			
Non-Keyed American Style Thumbturn Inside	1233			
Non-Keyed Fixed Handle Outside, Operating Handle Inside	1234			
Dummy Pair	1235			
Sets with 2" x 10" Plates				
Keyed with American Cylinder (Schlage® Keyway standard, Weiser® Keyway optional, rekeyable)	1241			
Non-Keyed Passage	1242			
Non-Keyed American Style Thumbturn Inside	1243			
Non-Keyed Fixed Handle Outside, Operating Handle Inside	1244			
Dummy Pair	1245			

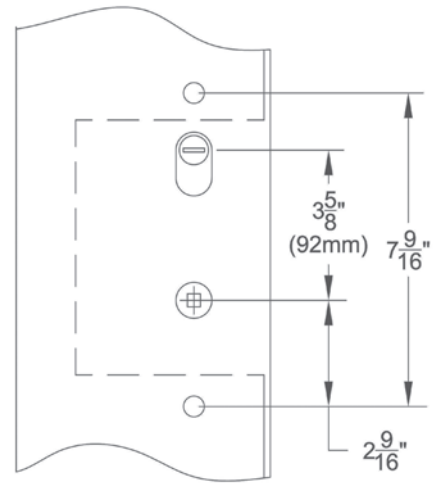
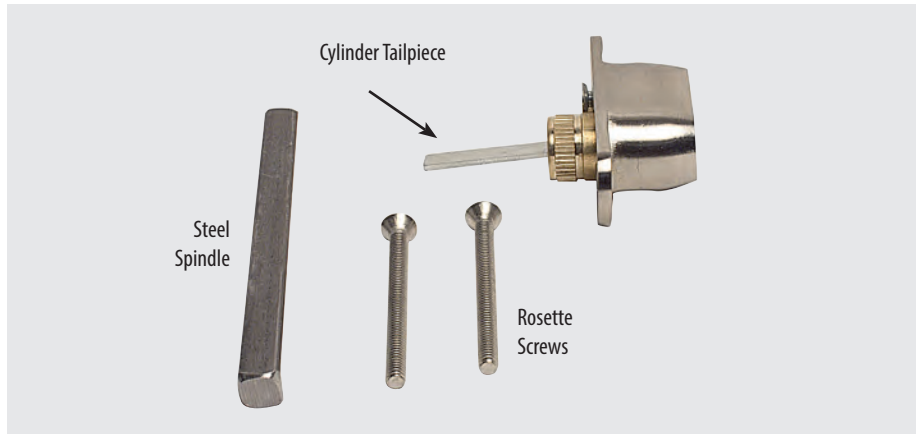
Handing Required

- Key codes may be specified. Fits standard door thickness of 1 3/4". Specify if thicker.
- Set includes plates, handles and cylinders (where applicable). Multi Point lock mechanism is not included.

Weiser® (WR5) Keyway

- Specify by adding "W" to the beginning of Product Code.
- No upcharge for cylinder substitution. Can be keyed into existing Weiser® system.

Door Configuration #2 American Cylinder Above Handle 3 5/8" Center-to-Center



Keyed Plates with American Cylinder Includes non-keyed thumbturn inside

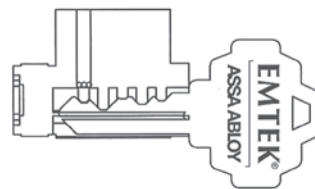
Standard Door Thickness: from 1 5/8" to 2"	Extended Door Thickness: Over 2" to 2 3/4"
<p>Standard Components:</p> <ul style="list-style-type: none"> • Single Cylinder Tailpiece • 3 3/4" Steel Spindle • 2" Rosette Screws • 1 1/2" Rosette Screws for 1 3/8" thick door 	<p>Extended Components:</p> <ul style="list-style-type: none"> • Long Single Cylinder Tailpiece • 4 1/2" Steel Spindle • 2 1/2" Rosette Screws • 2" Rosette Screws for 2" - 2 1/8" thick door

Non-Keyed Plates Includes non-keyed passage, fixed handle out/operating handle in, and dummy (uses screws only)

Standard Door Thickness: from 1 5/8" to 2"	Extended Door Thickness: Over 2" to 2 3/4"
<p>Standard Components:</p> <ul style="list-style-type: none"> • Thumbturn Tailpiece • 3 3/4" Steel Spindle (half-spindle for fixed handle out/operating handle in) • 2" Rosette Screws • 1 1/2" Rosette Screws for 1 3/8" thick door 	<p>Extended Components:</p> <ul style="list-style-type: none"> • Long Thumbturn Tailpiece • 4 1/2" Steel Spindle (half-spindle for fixed handle out/operating handle in) • 2 1/2" Rosette Screws • 2" Rosette Screws for 2" - 2 1/8" thick door

CONSTRUCTION KEYING

- Lost ball system.
- Last four pin locations drilled for lost ball application.
- Master key pins used for code variability.
- Construction keys and owner keys sent separately.
- Order by indicating "**Construction Keyed, House #_**" next to applicable locks.



- Construction devices used on one or more of last four positions.



- Dimples drilled in plug in this position.

Charge for Construction Keying - \$3.00 (NET)

- Locks that are both construction keyed and keyed alike in a house group will be charged a total of \$5.00 (NET) per cylinder.

Charge for Re-Keying - \$2.00 (NET) per Cylinder

- Locks that are keyed to code or keyed alike in a house group will be charged \$2.00 (NET) per cylinder.

Keying to Code

- Order by indicating "Key Code XXXXX" next to applicable locks.

Keying Alike

- Order by indicating "Keyed Alike" next to applicable locks if only one keyed alike group is wanted.
- If ordering multiple groups (houses) indicate "**Keyed Alike House #_**" next to applicable locks.

Set includes plates, handles and cylinders (where applicable). Multi Point lock mechanism is not included.

BiltBest®, G-U®, Hurd® (Energy Saver), Andersen®

Keyed with American Cylinder (for Active Door, Schlage® Keyway Standard, Weiser® Keyway Optional, Rekeyable)	
1 ½" x 11" Plates, Product Codes 1211, 1231, 1251, 1271, 12A1 	2" x 10" Plates, Product Codes 1221, 1241, 1261, 1281, 12B1
Non-Keyed, Passage (for Semi-Active Door)	
1 ½" x 11" Plates, Product Codes 1212, 1232, 1252, 1272, 12A2 	2" x 10" Plates, Product Codes 1222, 1242, 1262, 1282, 12B2
Non-Keyed, American Style Thumbturn Inside (for Active Door)	
1 ½" x 11" Plates, Product Codes 1213, 1233, 1253, 1273, 12A3 	2" x 10" Plates, Product Codes 1223, 1243, 1263, 1283, 12B3
Non-Keyed, Fixed Handle Outside, Operating Handle Inside (for Semi-Active Door)	
1 ½" x 11" Plates, Product Codes 1214, 1234, 1254, 1274, 12A4 Fixed 	2" x 10" Plates, Product Codes 1224, 1244, 1264, 1284, 12B4 Fixed
Dummy Pair (for Non-Active Door)	
1 ½" x 11" Plates, Product Codes 1215, 1235, 1255, 1275, 12A5 Fixed 	2" x 10" Plates, Product Codes 1225, 1245, 1265, 1285, 12B5 Fixed

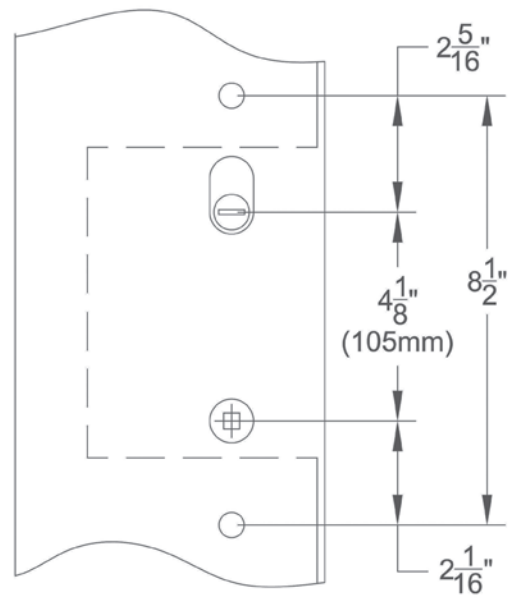
DOOR CONFIGURATION

#3

American Cylinder Hub Above Handle 4 1/8" Center-to-Center

ref. Andersen®

Each Multi Point Lock Trim now includes the Spring Assist function which returns the lever to the neutral position and eliminates sagging handles.



Brass Concord
1 1/2" x 11" Keyed
Wembley Levers



Brass Concord
2" x 10" Non-Keyed
Rope Levers

BRASS PLATES, CONCORD STYLE	Product Code	Lever Style (LH/RH)	Finish	List Price
Sets with 1 1/2" x 11" Plates		<i>See Page 8 for Brass & Modern Brass Lever Options.</i>	Polished Brass - Lifetime (US3) French Antique (US7) Oil Rubbed Bronze (US10B) Satin Nickel (US15) Pewter (US15A) Flat Black (US19) Polished Chrome (US26) Unlacquered Brass (US3NL)*	\$203.00
Keyed with American Cylinder (Schlage® Keyway standard, Weiser® Keyway optional, Rekeyable)	1371			
Non-Keyed Passage	1372			
Non-Keyed American Style Thumbturn Inside	1373			
Non-Keyed Fixed Handle Outside, Operating Handle Inside	1374			
Dummy Pair	1375			
Sets with 2" x 10" Plates				
Keyed with American Cylinder (Schlage® Keyway standard, Weiser® Keyway optional, Rekeyable)	1381			
Non-Keyed Passage	1382			
Non-Keyed American Style Thumbturn Inside	1383			
Non-Keyed Fixed Handle Outside, Operating Handle Inside	1384			
Dummy Pair	1385			

***Unlacquered Brass (US3NL)**
finish available for a \$40 List Price upcharge per item.

Handing Required

- Key codes may be specified. Fits standard door thickness of 1 3/4". Specify if thicker.
- Set includes plates, handles and cylinders (where applicable). Multi Point lock mechanism is not included.

Weiser®(WR5) Keyway

- Specify by adding "W" to the beginning of Product Code.
- No upcharge for cylinder substitution. Can be keyed into existing Weiser® system.



BRASS PLATES, MODERN STYLE	Product Code	Lever Style (LH/RH)	Finish	List Price
Sets with 1 1/2" x 11" Plates		<i>See Page 8 for Brass & Modern Brass Lever Options.</i>	Satin Brass (US4) Oil Rubbed Bronze (US10B) Polished Nickel - Lifetime (US14) Satin Nickel (US15) Flat Black (US19) Polished Chrome (US26) Unlacquered Brass (US3NL)*	\$203.00
Keyed with American Cylinder (Schlage® Keyway standard, Weiser® Keyway optional, Rekeyable)	13A1			
Non-Keyed Passage	13A2			
Non-Keyed American Style Thumbturn Inside	13A3			
Non-Keyed Fixed Handle Outside, Operating Handle Inside	13A4			
Dummy Pair	13A5			
Sets with 2" x 10" Plates				
Keyed with American Cylinder (Schlage® Keyway standard, Weiser® Keyway optional, Rekeyable)	13B1			
Non-Keyed Passage	13B2			
Non-Keyed American Style Thumbturn Inside	13B3			
Non-Keyed Fixed Handle Outside, Operating Handle Inside	13B4			
Dummy Pair	13B5			

***Unlacquered Brass (US3NL)**
finish available for a \$40 List Price upcharge per item.



STAINLESS STEEL PLATES, MODERN STYLE	Product Code	Lever Style (LH/RH)	Finish	List Price
Sets with 1 1/2" x 11" Plates		<i>See Page 9 for Stainless Steel Lever Options.</i>	Stainless Steel (SS)	\$203.00
Keyed with American Cylinder (Schlage® Keyway standard, Weiser® Keyway optional, Rekeyable)	13A1			
Non-Keyed Passage	13A2			
Non-Keyed American Style Thumbturn Inside	13A3			
Non-Keyed Fixed Handle Outside, Operating Handle Inside	13A4			
Dummy Pair	13A5			
Sets with 2" x 10" Plates				
Keyed with American Cylinder (Schlage® Keyway standard, Weiser® Keyway optional, Rekeyable)	13B1			
Non-Keyed Passage	13B2			
Non-Keyed American Style Thumbturn Inside	13B3			
Non-Keyed Fixed Handle Outside, Operating Handle Inside	13B4			
Dummy Pair	13B5			

Handing Required

- Key codes may be specified. Fits standard door thickness of 1 3/4". Specify if thicker.
- Set includes plates, handles and cylinders (where applicable). Multi Point lock mechanism is not included.

Weiser® (WR5) Keyway

- Specify by adding "W" to the beginning of Product Code.
- No upcharge for cylinder substitution. Can be keyed into existing Weiser® system.

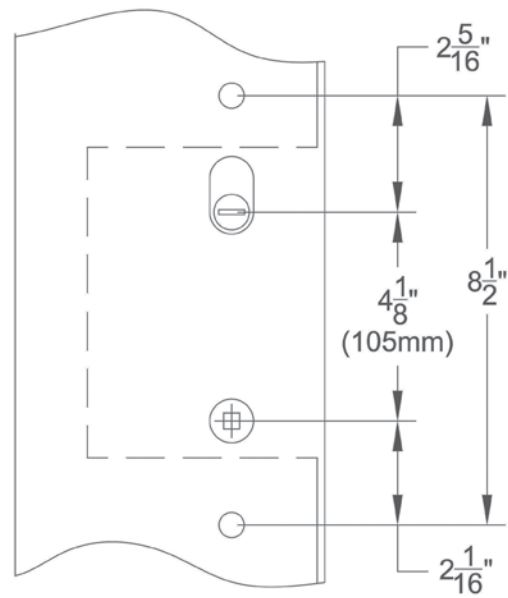
DOOR CONFIGURATION

#3

American Cylinder Hub Above Handle 4 1/8" Center-to-Center

ref. Andersen®

Each Multi Point Lock Trim now includes the Spring Assist function which returns the lever to the neutral position and eliminates sagging handles.



Sandcast Arched
1 1/2" x 11" Keyed
Durango Levers



Sandcast Arched
2" x 10" Non-Keyed
Cody Levers

SANDCAST BRONZE PLATES, ARCHED STYLE	Product Code	Lever Style (LH/RH)	Finish	List Price
Sets with 1 1/2" x 11" Plates		<i>See Page 9 for Sandcast Bronze Lever Options.</i>	Flat Black Bronze (FB) Medium Bronze (MB) Tumbled White Bronze (TWB)	\$226.00
Keyed with American Cylinder (Schlage® Keyway standard, Weiser® Keyway optional, Rekeyable)	1311			
Non-Keyed Passage	1312			
Non-Keyed American Style Thumbturn Inside	1313			
Non-Keyed Fixed Handle Outside, Operating Handle Inside	1314			
Dummy Pair	1315			
Sets with 2" x 10" Plates				
Keyed with American Cylinder (Schlage® Keyway standard, Weiser® Keyway optional, Rekeyable)	1321			
Non-Keyed Passage	1322			
Non-Keyed American Style Thumbturn Inside	1323			
Non-Keyed Fixed Handle Outside, Operating Handle Inside	1324			
Dummy Pair	1325			

Handing Required

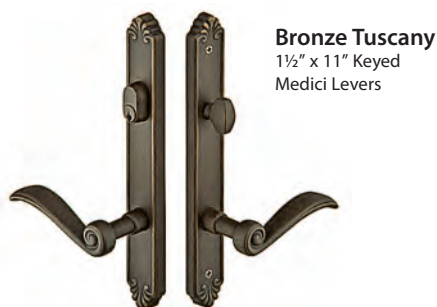
- Key codes may be specified. Fits standard door thickness of 1 3/4". Specify if thicker.
- Set includes plates, handles and cylinders (where applicable). Multi Point lock mechanism is not included.

Weiser®(WR5) Keyway

- Specify by adding "W" to the beginning of Product Code.
- No upcharge for cylinder substitution. Can be keyed into existing Weiser® system.



SANDCAST BRONZE PLATES, RECTANGULAR STYLE	Product Code	Lever Style (LH/RH)	Finish	List Price
Sets with 1 1/2" x 11" Plates		<i>See Page 9 for Sandcast Bronze Lever Options.</i>	Flat Black Bronze (FB) Medium Bronze (MB) Tumbled White Bronze (TWB)	\$226.00
Keyed with American Cylinder (Schlage® Keyway standard, Weiser® Keyway optional, Rekeyable)	1351			
Non-Keyed Passage	1352			
Non-Keyed American Style Thumbturn Inside	1353			
Non-Keyed Fixed Handle Outside, Operating Handle Inside	1354			
Dummy Pair	1355			
Sets with 2" x 10" Plates				
Keyed with American Cylinder (Schlage® Keyway standard, Weiser® Keyway optional, Rekeyable)	1361			
Non-Keyed Passage	1362			
Non-Keyed American Style Thumbturn Inside	1363			
Non-Keyed Fixed Handle Outside, Operating Handle Inside	1364			
Dummy Pair	1365			



LOST WAX CAST BRONZE PLATES, TUSCANY STYLE	Product Code	Lever Style (LH/RH)	Finish	List Price
Sets with 1 1/2" x 11" Plates		<i>See Page 9 for Lost Wax Cast Bronze Lever Options.</i>	Flat Black Bronze (FB) Medium Bronze (MB)	\$226.00
Keyed with American Cylinder (Schlage® Keyway standard, Weiser® Keyway optional, Rekeyable)	1331			
Non-Keyed Passage	1332			
Non-Keyed American Style Thumbturn Inside	1333			
Non-Keyed Fixed Handle Outside, Operating Handle Inside	1334			
Dummy Pair	1335			
Sets with 2" x 10" Plates				
Keyed with American Cylinder (Schlage® Keyway standard, Weiser® Keyway optional, Rekeyable)	1341			
Non-Keyed Passage	1342			
Non-Keyed American Style Thumbturn Inside	1343			
Non-Keyed Fixed Handle Outside, Operating Handle Inside	1344			
Dummy Pair	1345			

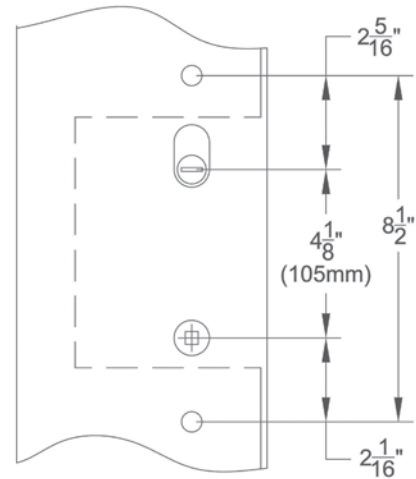
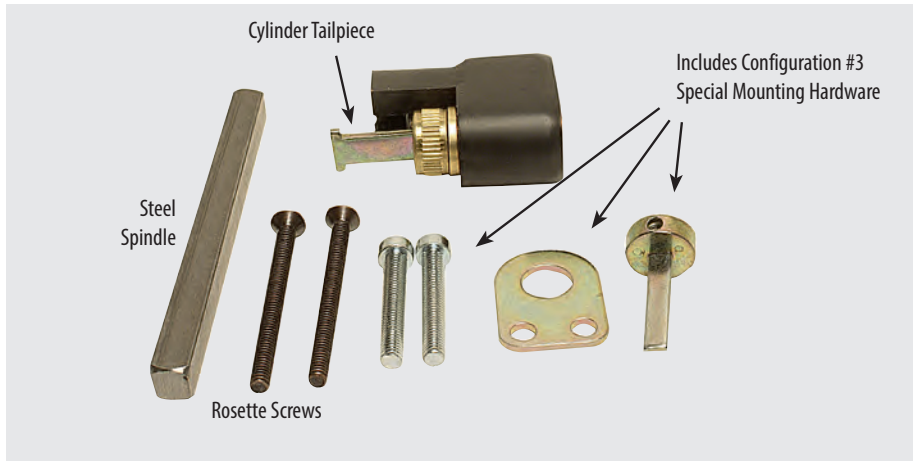
Handing Required

- Key codes may be specified. Fits standard door thickness of 1 3/4". Specify if thicker.
- Set includes plates, handles and cylinders (where applicable). Multi Point lock mechanism is not included.

Weiser® (WR5) Keyway

- Specify by adding "W" to the beginning of Product Code.
- No upcharge for cylinder substitution. Can be keyed into existing Weiser® system.

Door Configuration #3 American Cylinder Above Handle 4 1/8" Center-to-Center



Keyed Plates with American Cylinder Includes non-keyed thumbturn inside

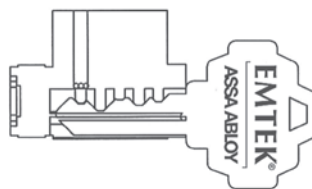
Standard Door Thickness: from 1 5/8" to 2"	Extended Door Thickness: Over 2" to 2 3/4"
Standard Components: <ul style="list-style-type: none"> • Single Cylinder Tailpiece • 3 3/4" Steel Spindle • 2" Rosette Screws • 1 1/2" Rosette Screws for 1 5/8" thick door 	Extended Components: <ul style="list-style-type: none"> • Single Cylinder Tailpiece • 4 1/2" Steel Spindle • 2 1/2" Rosette Screws • 2" Rosette Screws for 2" - 2 1/8" thick door

Non-Keyed Plates Includes non-keyed passage, fixed handle out/operating handle in, and dummy (uses screws only)

Standard Door Thickness: from 1 5/8" to 2"	Extended Door Thickness: Over 2" to 2 3/4"
Standard Components: <ul style="list-style-type: none"> • Configuration #3 Thumbturn Tailpiece • 3 3/4" Steel Spindle (half-spindle for fixed handle out/operating handle in) • 2" Rosette Screws • 1 1/2" Rosette Screws for 1 5/8" thick door 	Extended Components: <ul style="list-style-type: none"> • Configuration #3 Thumbturn Tailpiece • 4 1/2" Steel Spindle (half-spindle for fixed handle out/operating handle in) • 2 1/2" Rosette Screws • 2" Rosette Screws for 2" - 2 1/8" thick door

CONSTRUCTION KEYING

- Lost ball system.
- Last four pin locations drilled for lost ball application.
- Master key pins used for code variability.
- Construction keys and owner keys sent separately.
- Order by indicating "**Construction Keyed, House #_**" next to applicable locks.



- Construction devices used on one or more of last four positions.



- Dimples drilled in plug in this position.

Charge for Construction Keying - \$3.00 (NET)
• Locks that are both construction keyed and keyed alike in a house group will be charged a total of \$5.00 (NET) per cylinder.

Charge for Re-Keying - \$2.00 (NET) per Cylinder
• Locks that are keyed to code or keyed alike in a house group will be charged \$2.00 (NET) per cylinder.

Keying to Code
• Order by indicating "Key Code XXXXX" next to applicable locks.

Keying Alike
• Order by indicating "Keyed Alike" next to applicable locks if only one keyed alike group is wanted.
• If ordering multiple groups (houses) indicate " Keyed Alike House #_ " next to applicable locks.

Set includes plates, handles and cylinders (where applicable). Multi Point lock mechanism is not included.
Andersen®

Keyed with American Cylinder (for Active Door, Schlage® Keyway Standard, Weiser® Keyway Optional, Rekeyable)	
<p>1 1/2" x 11" Plates, Product Codes 1311, 1331, 1351, 1371, 13A1</p>	<p>2" x 10" Plates, Product Codes 1321, 1341, 1361, 1381, 13B1</p>
Non-Keyed, Passage (for Semi-Active Door)	
<p>1 1/2" x 11" Plates, Product Codes 1312, 1332, 1352, 1372, 13A2</p>	<p>2" x 10" Plates, Product Codes 1322, 1342, 1362, 1382, 13B2</p>
Non-Keyed, American Style Thumbturn Inside (for Active Door)	
<p>1 1/2" x 11" Plates, Product Codes 1313, 1333, 1353, 1373, 13A3</p>	<p>2" x 10" Plates, Product Codes 1323, 1343, 1363, 1383, 13B3</p>
Non-Keyed, Fixed Handle Outside, Operating Handle Inside (for Semi-Active Door)	
<p>1 1/2" x 11" Plates, Product Codes 1314, 1334, 1354, 1374, 13A4</p> <p>Fixed</p>	<p>2" x 10" Plates, Product Codes 1324, 1344, 1364, 1384, 13B4</p> <p>Fixed</p>
Dummy Pair (for Non-Active Door)	
<p>1 1/2" x 11" Plates, Product Codes 1315, 1335, 1355, 1375, 13A5</p> <p>Fixed</p>	<p>2" x 10" Plates, Product Codes 1325, 1345, 1365, 1385, 13B5</p> <p>Fixed</p>

DOOR CONFIGURATION

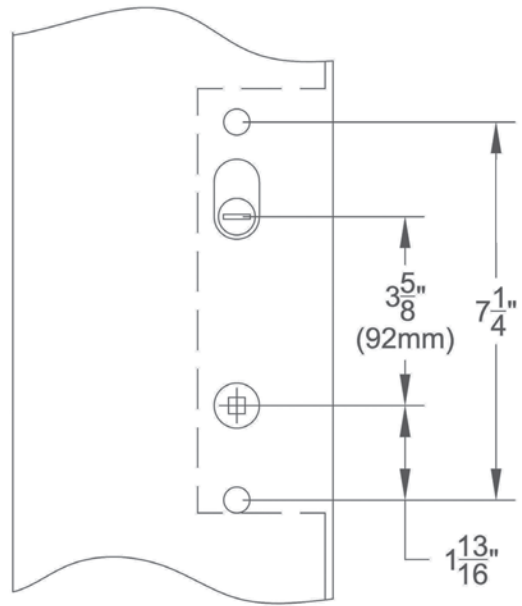
#4

American Cylinder Hub Above Handle 3 5/8" Center-to-Center

ref. Ashland®, G-U®, Caradco®, JELD-WEN®
Jeldwen® Custom Collection (formerly Pozzi®)
Marvin®, PGT®, Premium Collection (formerly Norco®)
Weathershield®

Each Multi Point Lock Trim now includes the Spring Assist function which returns the lever to the neutral position and eliminates sagging handles.

See Configuration #1 for Marvin Integrity® Doors



Brass Concord
1 1/2" x 11" Keyed
Coventry Levers



Brass Concord
2" x 10" Non-Keyed
Santa Fe Levers

BRASS PLATES, CONCORD STYLE	Product Code	Lever Style (LH/RH)	Finish	List Price
Sets with 1 1/2" x 11" Plates		<i>See Page 8 for Brass & Modern Brass Lever Options.</i>	Polished Brass - Lifetime (US3) French Antique (US7) Oil Rubbed Bronze (US10B) Satin Nickel (US15) Pewter (US15A) Flat Black (US19) Polished Chrome (US26) Unlacquered Brass (US3NL)*	\$203.00
Keyed with American Cylinder (Schlage® Keyway standard, Weiser® Keyway optional, Rekeyable)	1471			
Non-Keyed Passage	1472			
Non-Keyed American Style Thumbturn Inside	1473			
Non-Keyed Fixed Handle Outside, Operating Handle Inside	1474			
Dummy Pair	1475			
Sets with 2" x 10" Plates				
Keyed with American Cylinder (Schlage® Keyway standard, Weiser® Keyway optional, Rekeyable)	1481			
Non-Keyed Passage	1482			
Non-Keyed American Style Thumbturn Inside	1483			
Non-Keyed Fixed Handle Outside, Operating Handle Inside	1484			
Dummy Pair	1485			

***Unlacquered Brass (US3NL)**
finish available for a \$40 List Price
upcharge per item.

Handing Required

- Key codes may be specified. Fits standard door thickness of 1 3/4". Specify if thicker.
- Set includes plates, handles and cylinders (where applicable). Multi Point lock mechanism is not included.

Weiser®(WR5) Keyway

- Specify by adding "W" to the beginning of Product Code.
- No upcharge for cylinder substitution. Can be keyed into existing Weiser® system.



Brass Modern
1 1/2" x 11" Keyed
Aireon Levers



Brass Modern
2" x 10" Non-Keyed
Hercules Levers

BRASS PLATES, MODERN STYLE	Product Code	Lever Style (LH/RH)	Finish	List Price
Sets with 1 1/2" x 11" Plates		<i>See Page 8 for Brass & Modern Brass Lever Options.</i>	Satin Brass (US4) Oil Rubbed Bronze (US10B) Polished Nickel - Lifetime (US14) Satin Nickel (US15) Flat Black (US19) Polished Chrome (US26) Unlacquered Brass (US3NL)*	\$203.00
Keyed with American Cylinder (Schlage® Keyway standard, Weiser® Keyway optional, Rekeyable)	14A1			
Non-Keyed Passage	14A2			
Non-Keyed American Style Thumbturn Inside	14A3			
Non-Keyed Fixed Handle Outside, Operating Handle Inside	14A4			
Dummy Pair	14A5			
Sets with 2" x 10" Plates				
Keyed with American Cylinder (Schlage® Keyway standard, Weiser® Keyway optional, Rekeyable)	14B1			
Non-Keyed Passage	14B2			
Non-Keyed American Style Thumbturn Inside	14B3			
Non-Keyed Fixed Handle Outside, Operating Handle Inside	14B4			
Dummy Pair	14B5			

***Unlacquered Brass (US3NL)**
finish available for a \$40 List Price upcharge per item.



Stainless Steel
1 1/2" x 11" Keyed
Stuttgart Levers



Stainless Steel
2" x 10" Non-Keyed
Hermes Levers

STAINLESS STEEL PLATES, MODERN STYLE	Product Code	Lever Style (LH/RH)	Finish	List Price
Sets with 1 1/2" x 11" Plates		<i>See Page 9 for Stainless Steel Lever Options.</i>	Stainless Steel (SS)	\$203.00
Keyed with American Cylinder (Schlage® Keyway standard, Weiser® Keyway optional, Rekeyable)	14A1			
Non-Keyed Passage	14A2			
Non-Keyed American Style Thumbturn Inside	14A3			
Non-Keyed Fixed Handle Outside, Operating Handle Inside	14A4			
Dummy Pair	14A5			
Sets with 2" x 10" Plates				
Keyed with American Cylinder (Schlage® Keyway standard, Weiser® Keyway optional, Rekeyable)	14B1			
Non-Keyed Passage	14B2			
Non-Keyed American Style Thumbturn Inside	14B3			
Non-Keyed Fixed Handle Outside, Operating Handle Inside	14B4			
Dummy Pair	14B5			

Handing Required

- Key codes may be specified. Fits standard door thickness of 1 3/4". Specify if thicker.
- Set includes plates, handles and cylinders (where applicable). Multi Point lock mechanism is not included.

Weiser® (WR5) Keyway

- Specify by adding "W" to the beginning of Product Code.
- No upcharge for cylinder substitution. Can be keyed into existing Weiser® system.

DOOR CONFIGURATION

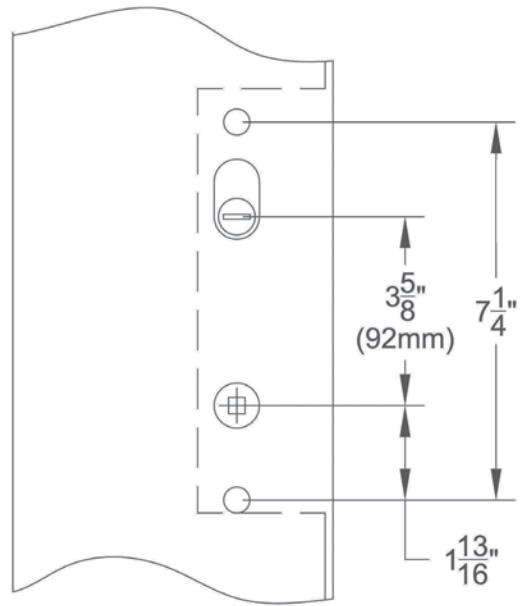
#4

American Cylinder Hub Above Handle 3 5/8" Center-to-Center

ref. Ashland®, G-U®, Caradco®, JELD-WEN®
Jeldwen® Custom Collection (formerly Pozzi®)
Marvin®, PGT®, Premium Collection (formerly Norco®)
Weathershield®

Each Multi Point Lock Trim now includes the Spring Assist function which returns the lever to the neutral position and eliminates sagging handles.

See Configuration #1 for Marvin Integrity® Doors



Sandcast Arched
1 1/2" x 11" Keyed
Montrose Levers



Sandcast Arched
2" x 10" Non-Keyed
Cody Levers

SANDCAST BRONZE PLATES, ARCHED STYLE	Product Code	Lever Style (LH/RH)	Finish	List Price
Sets with 1 1/2" x 11" Plates		<i>See Page 9 for Sandcast Bronze Lever Options.</i>	Flat Black Bronze (FB) Medium Bronze (MB) Tumbled White Bronze (TWB)	\$226.00
Keyed with American Cylinder (Schlage® Keyway standard, Weiser® Keyway optional, Rekeyable)	1411			
Non-Keyed Passage	1412			
Non-Keyed American Style Thumbturn Inside	1413			
Non-Keyed Fixed Handle Outside, Operating Handle Inside	1414			
Dummy Pair	1415			
Sets with 2" x 10" Plates				
Keyed with American Cylinder (Schlage® Keyway standard, Weiser® Keyway optional, Rekeyable)	1421			
Non-Keyed Passage	1422			
Non-Keyed American Style Thumbturn Inside	1423			
Non-Keyed Fixed Handle Outside, Operating Handle Inside	1424			
Dummy Pair	1425			

Handing Required

- Key codes may be specified. Fits standard door thickness of 1 3/4". Specify if thicker.
- Set includes plates, handles and cylinders (where applicable). Multi Point lock mechanism is not included.

Weiser®(WR5) Keyway

- Specify by adding "W" to the beginning of Product Code.
- No upcharge for cylinder substitution. Can be keyed into existing Weiser® system.



Sandcast Rectangular
1 1/2" x 11" Keyed
Lariat Levers



Sandcast Rectangular
2" x 10" Keyed
Teton Levers

SANDCAST BRONZE PLATES, RECTANGULAR STYLE	Product Code	Lever Style (LH/RH)	Finish	List Price
Sets with 1 1/2" x 11" Plates		<i>See Page 9 for Sandcast Bronze Lever Options.</i>	Flat Black Bronze (FB) Medium Bronze (MB) Tumbled White Bronze (TWB)	\$226.00
Keyed with American Cylinder (Schlage® Keyway standard, Weiser® Keyway optional, Rekeyable)	1451			
Non-Keyed Passage	1452			
Non-Keyed American Style Thumbturn Inside	1453			
Non-Keyed Fixed Handle Outside, Operating Handle Inside	1454			
Dummy Pair	1455			
Sets with 2" x 10" Plates				
Keyed with American Cylinder (Schlage® Keyway standard, Weiser® Keyway optional, Rekeyable)	1461			
Non-Keyed Passage	1462			
Non-Keyed American Style Thumbturn Inside	1463			
Non-Keyed Fixed Handle Outside, Operating Handle Inside	1464			
Dummy Pair	1465			



Bronze Tuscan
1 1/2" x 11" Non-Keyed
Napoli Levers



Bronze Tuscan
2" x 10" Keyed
Napoli Levers

LOST WAX CAST BRONZE PLATES, TUSCANY STYLE	Product Code	Lever Style (LH/RH)	Finish	List Price
Sets with 1 1/2" x 11" Plates		<i>See Page 9 for Lost Wax Cast Bronze Lever Options.</i>	Flat Black Bronze (FB) Medium Bronze (MB)	\$226.00
Keyed with American Cylinder (Schlage® Keyway standard, Weiser® Keyway optional, Rekeyable)	1431			
Non-Keyed Passage	1432			
Non-Keyed American Style Thumbturn Inside	1433			
Non-Keyed Fixed Handle Outside, Operating Handle Inside	1434			
Dummy Pair	1435			
Sets with 2" x 10" Plates				
Keyed with American Cylinder (Schlage® Keyway standard, Weiser® Keyway optional, Rekeyable)	1441			
Non-Keyed Passage	1442			
Non-Keyed American Style Thumbturn Inside	1443			
Non-Keyed Fixed Handle Outside, Operating Handle Inside	1444			
Dummy Pair	1445			

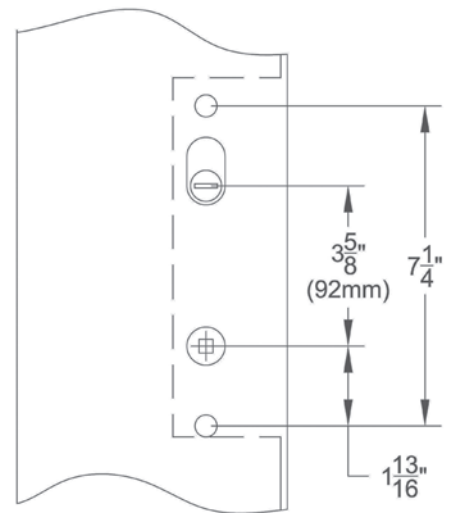
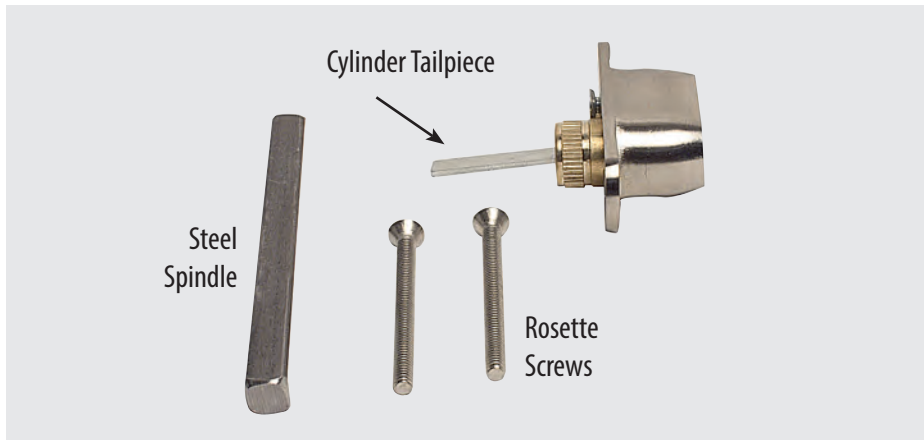
Handing Required

- Key codes may be specified. Fits standard door thickness of 1 3/4". Specify if thicker.
- Set includes plates, handles and cylinders (where applicable). Multi Point lock mechanism is not included.

Weiser® (WR5) Keyway

- Specify by adding "W" to the beginning of Product Code.
- No upcharge for cylinder substitution. Can be keyed into existing Weiser® system.

Door Configuration #4 American Cylinder Above Handle 3 5/8" Center-to-Center



Keyed Plates with American Cylinder Includes non-keyed thumbturn inside

Standard Door Thickness: from 1 5/8" to 2"

Standard Components:

- Single Cylinder Tailpiece
- 3 3/4" Steel Spindle
- 2" Rosette Screws for 1 5/8" - 1 3/4" thick door
- 2 1/2" Rosette Screws for 1 3/4" - 2" thick door

Extended Door Thickness: Over 2" to 2 3/4"

Extended Components:

- Long Single Cylinder Tailpiece
- 4 1/2" Steel Spindle
- 2 1/2" Rosette Screws 2" - 2 1/4" thick door
- 3" Rosette Screws for 2 1/4" - 2 3/4" thick door

Non-Keyed Plates Includes non-keyed passage, fixed handle out/operating handle in, and dummy (uses screws only)

Standard Door Thickness: from 1 5/8" to 2"

Standard Components:

- Thumbturn Tailpiece
- 3 3/4" Steel Spindle (half-spindle for fixed handle out/operating handle in)
- 2" Rosette Screws for 1 5/8" - 1 3/4" thick door
- 2 1/2" Rosette Screws for 1 3/4" - 2" thick door

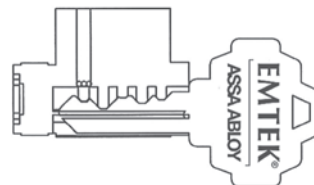
Extended Door Thickness: Over 2" to 2 3/4"

Extended Components:

- Long Thumbturn Tailpiece
- 4 1/2" Steel Spindle (half-spindle for fixed handle out/operating handle in)
- 2 1/2" Rosette Screws 2" - 2 1/4" thick door
- 3" Rosette Screws for 2 1/4" - 2 3/4" thick door

CONSTRUCTION KEYING

- Lost ball system.
- Last four pin locations drilled for lost ball application.
- Master key pins used for code variability.
- Construction keys and owner keys sent separately.
- Order by indicating "**Construction Keyed, House #_**" next to applicable locks.



- Construction devices used on one or more of last four positions.



- Dimples drilled in plug in this position.

Charge for Construction Keying - \$3.00 (NET)

- Locks that are both construction keyed and keyed alike in a house group will be charged a total of \$5.00 (NET) per cylinder.

Charge for Re-Keying - \$2.00 (NET) per Cylinder

- Locks that are keyed to code or keyed alike in a house group will be charged \$2.00 (NET) per cylinder.

Keying to Code

- Order by indicating "Key Code XXXXX" next to applicable locks.

Keying Alike

- Order by indicating "Keyed Alike" next to applicable locks if only one keyed alike group is wanted.
- If ordering multiple groups (houses) indicate "**Keyed Alike House #_**" next to applicable locks.

Set includes plates, handles and cylinders (where applicable). Multi Point lock mechanism is not included.
 Ashland®, G-U®, Caradco®, JELD-WEN®, Jeldwen® Custom Collection (formerly Pozzi®), Marvin®, PGT®, Premium Collection (formerly Norco®), Weathershield®

Keyed with American Cylinder (for Active Door, Schlage® Keyway Standard, Weiser® Keyway Optional, Rekeyable)

1 1/2" x 11" Plates, Product Codes 1411, 1431, 1451, 1471, 14A1

2" x 10" Plates, Product Codes 1421, 1441, 1461, 1481, 14B1

Non-Keyed, Passage (for Semi-Active Door)

1 1/2" x 11" Plates, Product Codes 1412, 1432, 1452, 1472, 14A2

2" x 10" Plates, Product Codes 1422, 1442, 1462, 1482, 14B2

Non-Keyed, American Style Thumbturn Inside (for Active Door)

1 1/2" x 11" Plates, Product Codes 1413, 1433, 1453, 1473, 14A3

2" x 10" Plates, Product Codes 1423, 1443, 1463, 1483, 14B3

Non-Keyed, Fixed Handle Outside, Operating Handle Inside (for Semi-Active Door)

1 1/2" x 11" Plates, Product Codes 1414, 1434, 1454, 1474, 14A4

Fixed

2" x 10" Plates, Product Codes 1424, 1444, 1464, 1484, 14B4

Fixed

Dummy Pair (for Non-Active Door)

1 1/2" x 11" Plates, Product Codes 1415, 1435, 1455, 1475, 14A5

Fixed

2" x 10" Plates, Product Codes 1425, 1445, 1465, 1485, 14B5

Fixed

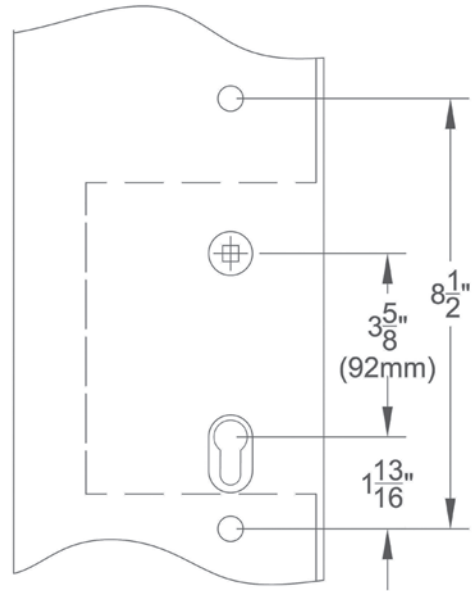
DOOR CONFIGURATION

#5

Euro Profile Cylinder Below Handle 3⁵/₈" Center-to-Center

ref. Crestline®, Hoppe®, Hurd®, KFV®, Kolbe & Kolbe®
Lincoln®, Loewen®, Paddock Lockmaster™, Peachtree®
Semco®, Sierra Pacific®, Signature®, Simpson®
Therma-Tru®, Vetter®, Willmar®, Windsor®
Weathershield®

Each Multi Point Lock Trim now includes the Spring Assist function which returns the lever to the neutral position and eliminates sagging handles.



Brass Concord
1 1/2" x 11" Keyed
Turino Levers



Brass Concord
2" x 10" Keyed
Rustic Levers

BRASS PLATES, CONCORD STYLE	Product Code	Lever Style (LH/RH)	Finish	List Price
Sets with 1 1/2" x 11" Plates		<i>See Page 8 for Brass & Modern Brass Lever Options.</i>	Polished Brass - Lifetime (US3) French Antique (US7) Oil Rubbed Bronze (US10B) Satin Nickel (US15) Pewter (US15A) Flat Black (US19) Polished Chrome (US26) Unlacquered Brass (US3NL)*	\$203.00
Keyed with Euro Profile Cylinder (Schlage® Keyway standard, Rekeyable)	1571			
Non-Keyed Passage	1572			
Non-Keyed Euro Profile Thumbturn Inside	1573			
Non-Keyed Fixed Handle Outside, Operating Handle Inside	1574			
Dummy Pair	1575			
Sets with 2" x 10" Plates				
Keyed with Euro Profile Cylinder (Schlage® Keyway standard, Rekeyable)	1581			
Non-Keyed Passage	1582			
Non-Keyed Euro Profile Thumbturn Inside	1583			
Non-Keyed Fixed Handle Outside, Operating Handle Inside	1584			
Dummy Pair	1585			

***Unlacquered Brass (US3NL)**
finish available for a \$40 List Price
upcharge per item.

Handing Required

- Key codes may be specified. Fits standard door thickness of 1 3/4". Specify if thicker.
- Set includes plates, handles and cylinders (where applicable). Multi Point lock mechanism is not included.

Weiser® keyway not available for Configuration 5, Euro cylinder.



BRASS PLATES, MODERN STYLE	Product Code	Lever Style (LH/RH)	Finish	List Price
Sets with 1 1/2" x 11" Plates	15A1	See Page 8 for Brass & Modern Brass Lever Options.	Satin Brass (US4) Oil Rubbed Bronze (US10B) Polished Nickel - Lifetime (US14) Satin Nickel (US15) Flat Black (US19) Polished Chrome (US26) Unlacquered Brass (US3NL)*	\$203.00
Keyed with Euro Profile Cylinder (Schlage® Keyway standard, Rekeyable)				
Non-Keyed Passage				
Non-Keyed Euro Profile Thumbturn Inside				
Non-Keyed Fixed Handle Outside, Operating Handle Inside				
Dummy Pair				
Sets with 2" x 10" Plates	15B1		*Unlacquered Brass (US3NL) finish available for a \$40 List Price upcharge per item.	
Keyed with Euro Profile Cylinder (Schlage® Keyway standard, Rekeyable)				
Non-Keyed Passage				
Non-Keyed Euro Profile Thumbturn Inside				
Non-Keyed Fixed Handle Outside, Operating Handle Inside				
Dummy Pair				



STAINLESS STEEL PLATES, MODERN STYLE	Product Code	Lever Style (LH/RH)	Finish	List Price
Sets with 1 1/2" x 11" Plates	15A1	See Page 9 for Stainless Steel Lever Options.	Stainless Steel (SS)	\$203.00
Keyed with Euro Profile Cylinder (Schlage® Keyway standard, Rekeyable)				
Non-Keyed Passage				
Non-Keyed Euro Profile Thumbturn Inside				
Non-Keyed Fixed Handle Outside, Operating Handle Inside				
Dummy Pair				
Sets with 2" x 10" Plates	15B1			
Keyed with Euro Profile Cylinder (Schlage® Keyway standard, Rekeyable)				
Non-Keyed Passage				
Non-Keyed Euro Profile Thumbturn Inside				
Non-Keyed Fixed Handle Outside, Operating Handle Inside				
Dummy Pair				

Handing Required

- Key codes may be specified. Fits standard door thickness of 1 3/4". Specify if thicker.
- Set includes plates, handles and cylinders (where applicable). Multi Point lock mechanism is not included.

Weiser® keyway not available for Configuration 5, Euro cylinder.

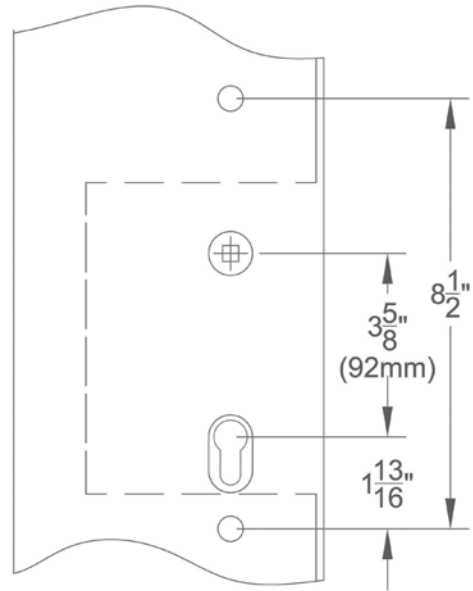
DOOR CONFIGURATION

#5

Euro Profile Cylinder Below Handle 3⁵/₈" Center-to-Center

ref. Crestline®, Hoppe®, Hurd®, KFV®, Kolbe & Kolbe®
Lincoln®, Loewen®, Paddock Lockmaster™, Peachtree®
Semco®, Sierra Pacific®, Signature®, Simpson®
Therma-Tru®, Vetter®, Willmar®, Windsor®
Weathershield®

Each Multi Point Lock Trim now includes the Spring Assist function which returns the lever to the neutral position and eliminates sagging handles.



Sandcast Arched
1 1/2" x 11" Keyed
Lariat Levers



Sandcast Arched
2" x 10" Keyed
Durango Levers

SANDCAST BRONZE PLATES, ARCHED STYLE		Product Code	Lever Style (LH/RH)	Finish	List Price
Sets with 1 1/2" x 11" Plates			<i>See Page 9 for Sandcast Bronze Lever Options.</i>	Flat Black Bronze (FB) Medium Bronze (MB) Tumbled White Bronze (TWB)	\$226.00
Keyed with Euro Profile Cylinder (Schlage® Keyway standard, Rekeyable)	1511				
Non-Keyed Passage	1512				
Non-Keyed Euro Profile Thumbturn Inside	1513				
Non-Keyed Fixed Handle Outside, Operating Handle Inside	1514				
Dummy Pair	1515				
Sets with 2" x 10" Plates					
Keyed with Euro Profile Cylinder (Schlage® Keyway standard, Rekeyable)	1521				
Non-Keyed Passage	1522				
Non-Keyed Euro Profile Thumbturn Inside	1523				
Non-Keyed Fixed Handle Outside, Operating Handle Inside	1524				
Dummy Pair	1525				

Handing Required

- Key codes may be specified. Fits standard door thickness of 1 3/4". Specify if thicker.
- Set includes plates, handles and cylinders (where applicable). Multi Point lock mechanism is not included.

Weiser® keyway not available for Configuration 5, Euro cylinder.



SANDCAST BRONZE PLATES, RECTANGULAR STYLE	Product Code	Lever Style (LH/RH)	Finish	List Price
Sets with 1 1/2" x 11" Plates		<i>See Page 9 for Sandcast Bronze Lever Options.</i>	Flat Black Bronze (FB) Medium Bronze (MB) Tumbled White Bronze (TWB)	\$226.00
Keyed with Euro Profile Cylinder (Schlage® Keyway standard, Rekeyable)	1551			
Non-Keyed Passage	1552			
Non-Keyed Euro Profile Thumbturn Inside	1553			
Non-Keyed Fixed Handle Outside, Operating Handle Inside	1554			
Dummy Pair	1555			
Sets with 2" x 10" Plates				
Keyed with Euro Profile Cylinder (Schlage® Keyway standard, Rekeyable)	1561			
Non-Keyed Passage	1562			
Non-Keyed Euro Profile Thumbturn Inside	1563			
Non-Keyed Fixed Handle Outside, Operating Handle Inside	1564			
Dummy Pair	1565			



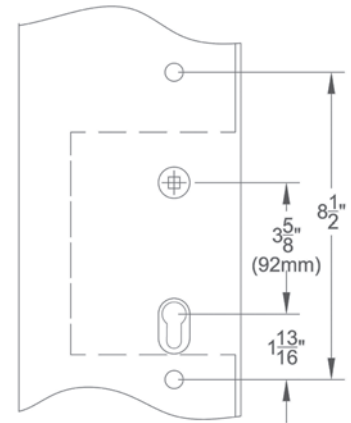
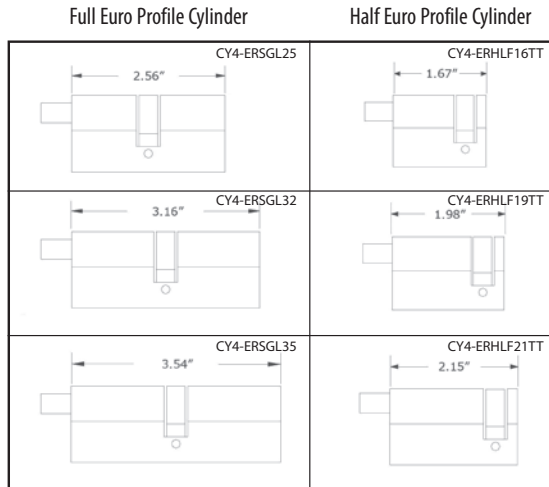
LOST WAX CAST BRONZE PLATES, TUSCANY STYLE	Product Code	Lever Style (LH/RH)	Finish	List Price
Sets with 1 1/2" x 11" Plates		<i>See Page 9 for Lost Wax Cast Bronze Lever Options.</i>	Flat Black Bronze (FB) Medium Bronze (MB)	\$226.00
Keyed with Euro Profile Cylinder (Schlage® Keyway standard, Rekeyable)	1531			
Non-Keyed Passage	1532			
Non-Keyed Euro Profile Thumbturn Inside	1533			
Non-Keyed Fixed Handle Outside, Operating Handle Inside	1534			
Dummy Pair	1535			
Sets with 2" x 10" Plates				
Keyed with Euro Profile Cylinder (Schlage® Keyway standard, Rekeyable)	1541			
Non-Keyed Passage	1542			
Non-Keyed Euro Profile Thumbturn Inside	1543			
Non-Keyed Fixed Handle Outside, Operating Handle Inside	1544			
Dummy Pair	1545			

Handing Required

- Key codes may be specified. Fits standard door thickness of 1 3/4". Specify if thicker.
- Set includes plates, handles and cylinders (where applicable). Multi Point lock mechanism is not included.

Weiser® keyway not available for Configuration 5, Euro cylinder.

Door Configuration #5 Euro Profile Cylinder Below Handle 3 5/8" Center-to-Center



Keyed Plates with Euro Profile Cylinder

Standard Door Thickness: from 1 5/8" to 2"	Extended Door Thickness: Over 2" to 2 1/2"	Extended Door Thickness: Over 2 1/2" to 2 3/4"
Standard Components: <ul style="list-style-type: none"> • 2 9/16" Euro Profile Cylinder • 3 3/4" Steel Spindle • 1 1/2" Rosette Screws 	Extended Components: <ul style="list-style-type: none"> • 3 5/32" Euro Profile Cylinder • 4 1/2" Steel Spindle • 2" Rosette Screws 	Extended Components: <ul style="list-style-type: none"> • 3 17/32" Euro Profile Cylinder • 5" Steel Spindle • 3" Rosette Screws

Non-Keyed Plates with Euro Profile Half Cylinder

Standard Door Thickness: from 1 5/8" to 2"	Extended Door Thickness: Over 2" to 2 1/2"	Extended Door Thickness: Over 2 1/2" to 2 3/4"
Standard Components: <ul style="list-style-type: none"> • 1 23/32" Euro Profile Half-Cylinder • 3 3/4" Steel Spindle • 1 1/2" Rosette Screws 	Extended Components: <ul style="list-style-type: none"> • 1 33/32" Euro Profile Half-Cylinder • 4 1/2" Steel Spindle • 2" Rosette Screws 	Extended Components: <ul style="list-style-type: none"> • 2 5/32" Euro Profile Half-Cylinder • 5" Steel Spindle • 3" Rosette Screws

Non-Keyed Plates Includes non-keyed passage, fixed handle out/operating handle in, and dummy (uses screws only)

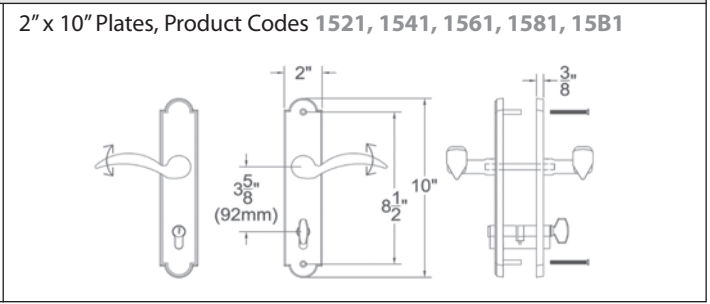
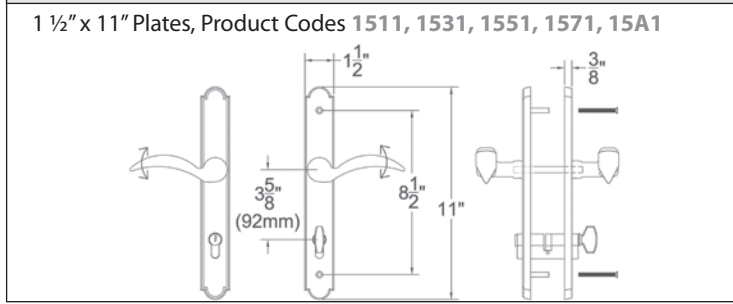
Standard Door Thickness: from 1 5/8" to 2"	Extended Door Thickness: Over 2" to 2 3/4"
Standard Components: <ul style="list-style-type: none"> • 3 3/4" Steel Spindle (half-spindle for fixed handle out/operating handle in) • 2" Rosette Screws • 1 1/2" Rosette Screws for 1 5/8" thick door 	Extended Components: <ul style="list-style-type: none"> • 4 1/2" Steel Spindle (half-spindle for fixed handle out/operating handle in) • 2 1/2" Rosette Screws • 2" Rosette Screws for 2" - 2 1/8" thick door

CUSTOM KEYING

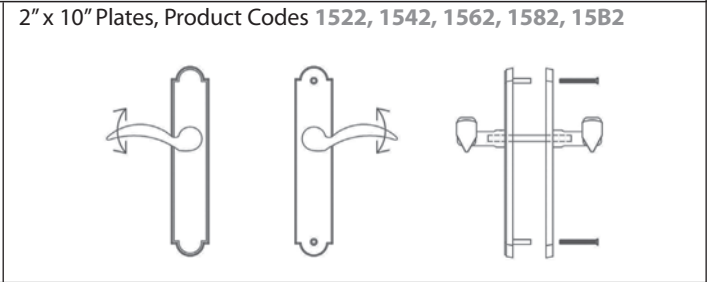
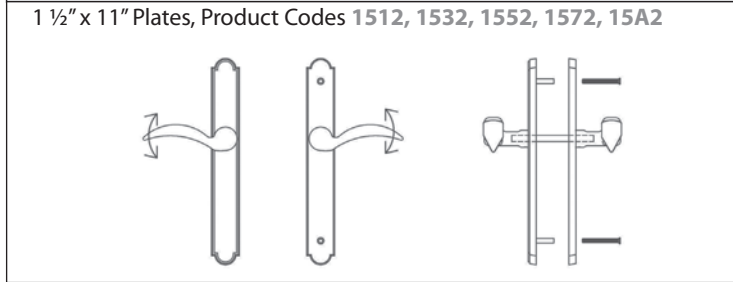
Charge for Re-Keying - \$2.00 (NET) per Cylinder <ul style="list-style-type: none"> • Locks that are keyed to code or keyed alike in a house group will be charged \$2.00 (NET) per cylinder.
Keying to Code <ul style="list-style-type: none"> • Order by indicating "Key Code XXXXX" next to applicable locks.
Keying Alike <ul style="list-style-type: none"> • Order by indicating "Keyed Alike" next to applicable locks if only one keyed alike group is wanted. • If ordering multiple groups (houses) indicate "Keyed Alike House # _" next to applicable locks.

Set includes plates, handles and cylinders (where applicable). Multi Point lock mechanism is not included.
 Crestline®, Hoppe®, Hurd®, KFV®, Kolbe & Kolbe®, Lincoln®, Loewen®, Paddock Lockmaster™, Peachtree®,
 Semco®, Sierra Pacific®, Signature®, Simpson®, Therma-Tru®, Vetter®, Willmar®, Windsor®, Weathershield®

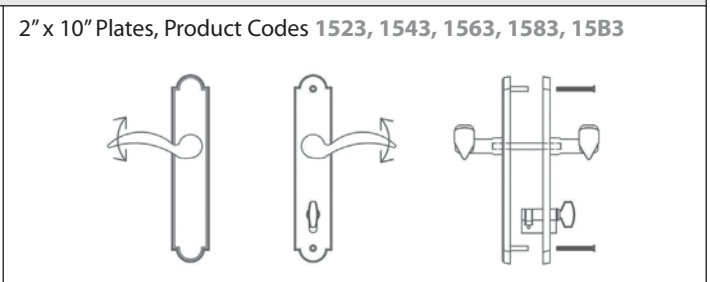
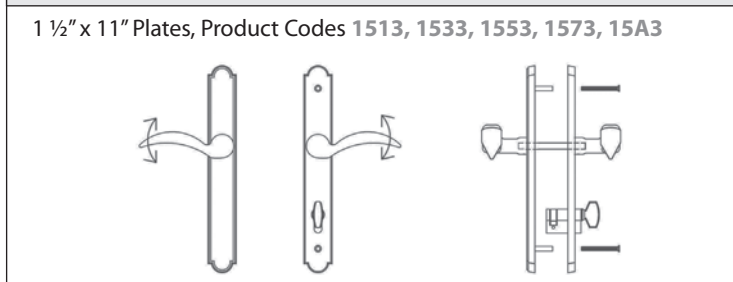
Keyed with Euro Profile Cylinder (for Active Door, Schlage® Keyway Standard, Rekeyable)



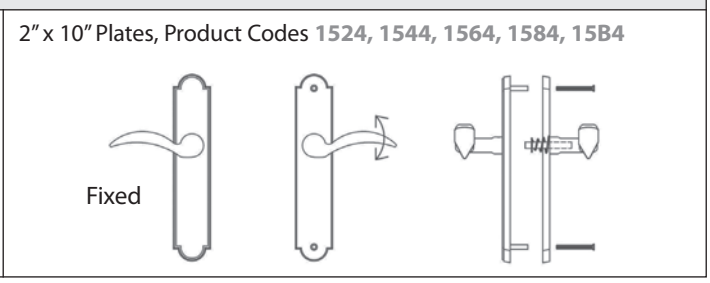
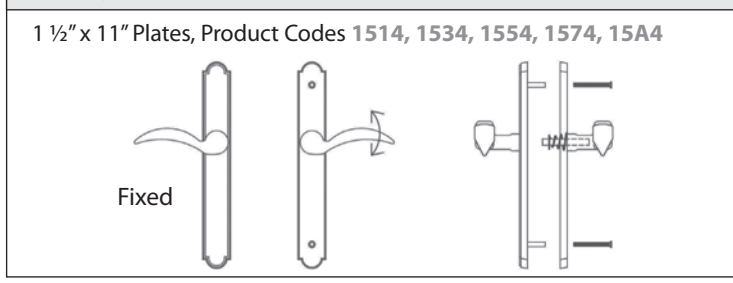
Non-Keyed, Passage (for Semi-Active Door)



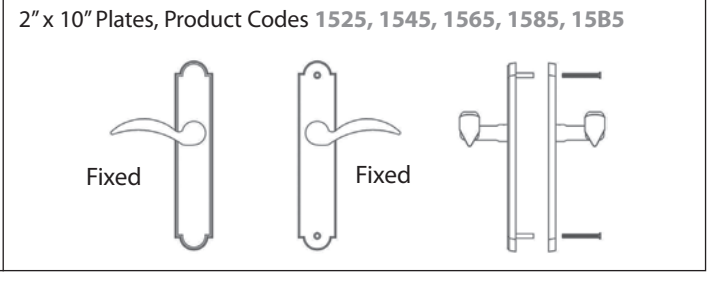
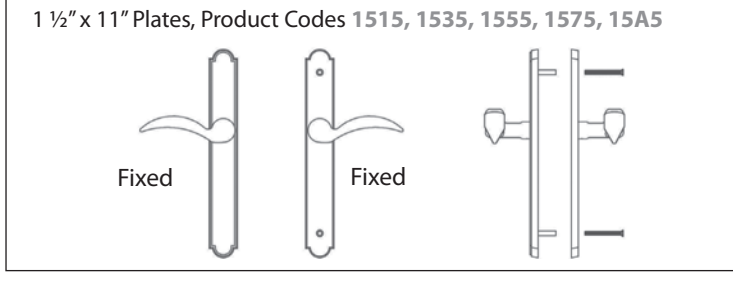
Non-Keyed, Euro Profile Style Thumbturn Inside (for Active Door)



Non-Keyed, Fixed Handle Outside, Operating Handle Inside (for Semi-Active Door)



Dummy Pair (for Non-Active Door)



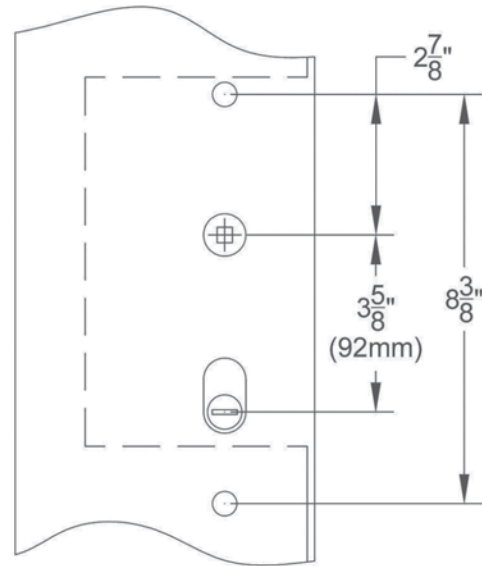
DOOR CONFIGURATION

#6

American Cylinder Hub Below Handle 3⁵/₈" Center-to-Center

ref. Milgard®, Pella®

Each Multi Point Lock Trim now includes the Spring Assist function which returns the lever to the neutral position and eliminates sagging handles.



Brass Concord
1¹/₂" x 11" Keyed
Cortina Levers



Brass Concord
2" x 10" Non-Keyed
Santa Fe Levers

BRASS PLATES, CONCORD STYLE	Product Code	Lever Style (LH/RH)	Finish	List Price
Sets with 1¹/₂" x 11" Plates		<i>See Page 8 for Brass & Modern Brass Lever Options.</i>	Polished Brass - Lifetime (US3) French Antique (US7) Oil Rubbed Bronze (US10B) Satin Nickel (US15) Pewter (US15A) Flat Black (US19) Polished Chrome (US26) Unlacquered Brass (US3NL)*	\$203.00
Keyed with American Cylinder (Schlage® Keyway standard, Weiser® Keyway optional, Rekeyable)	1671			
Non-Keyed Passage	1672			
Non-Keyed American Style Thumbturn Inside	1673			
Non-Keyed Fixed Handle Outside, Operating Handle Inside	1674			
Dummy Pair	1675			
Sets with 2" x 10" Plates				
Keyed with American Cylinder (Schlage® Keyway standard, Weiser® Keyway optional, Rekeyable)	1681			
Non-Keyed Passage	1682			
Non-Keyed American Style Thumbturn Inside	1683			
Non-Keyed Fixed Handle Outside, Operating Handle Inside	1684			
Dummy Pair	1685			

***Unlacquered Brass (US3NL)**
finish available for a \$40 List Price upcharge per item.

Handing Required

- Key codes may be specified. Fits standard door thickness of 1³/₄". Specify if thicker.
- Set includes plates, handles and cylinders (where applicable). Multi Point lock mechanism is not included.

Weiser®(WR5) Keyway

- Specify by adding "W" to the beginning of Product Code.
- No upcharge for cylinder substitution. Can be keyed into existing Weiser® system.



BRASS PLATES, MODERN STYLE	Product Code	Lever Style (LH/RH)	Finish	List Price
Sets with 1 1/2" x 11" Plates	16A1	<i>See Page 8 for Brass & Modern Brass Lever Options.</i>	Satin Brass (US4) Oil Rubbed Bronze (US10B) Polished Nickel - Lifetime (US14) Satin Nickel (US15) Flat Black (US19) Polished Chrome (US26) Unlacquered Brass (US3NL)*	\$203.00
Keyed with American Cylinder (Schlage® Keyway standard, Weiser® Keyway optional, Rekeyable)				
Non-Keyed Passage				
Non-Keyed American Style Thumbturn Inside				
Non-Keyed Fixed Handle Outside, Operating Handle Inside				
Dummy Pair				
Sets with 2" x 10" Plates	16B1			
Keyed with American Cylinder (Schlage® Keyway standard, Weiser® Keyway optional, Rekeyable)				
Non-Keyed Passage				
Non-Keyed American Style Thumbturn Inside				
Non-Keyed Fixed Handle Outside, Operating Handle Inside				
Dummy Pair				

***Unlacquered Brass (US3NL)**
finish available for a \$40 List Price upcharge per item.



STAINLESS STEEL PLATES, MODERN STYLE	Product Code	Lever Style (LH/RH)	Finish	List Price
Sets with 1 1/2" x 11" Plates	16A1	<i>See Page 9 for Stainless Steel Lever Options.</i>	Stainless Steel (SS)	\$203.00
Keyed with American Cylinder (Schlage® Keyway standard, Weiser® Keyway optional, Rekeyable)				
Non-Keyed Passage				
Non-Keyed American Style Thumbturn Inside				
Non-Keyed Fixed Handle Outside, Operating Handle Inside				
Dummy Pair				
Sets with 2" x 10" Plates	16B1			
Keyed with American Cylinder (Schlage® Keyway standard, Weiser® Keyway optional, Rekeyable)				
Non-Keyed Passage				
Non-Keyed American Style Thumbturn Inside				
Non-Keyed Fixed Handle Outside, Operating Handle Inside				
Dummy Pair				

Handing Required

- Key codes may be specified. Fits standard door thickness of 1 3/4". Specify if thicker.
- Set includes plates, handles and cylinders (where applicable). Multi Point lock mechanism is not included.

Weiser® (WR5) Keyway

- Specify by adding "W" to the beginning of Product Code.
- No upcharge for cylinder substitution. Can be keyed into existing Weiser® system.

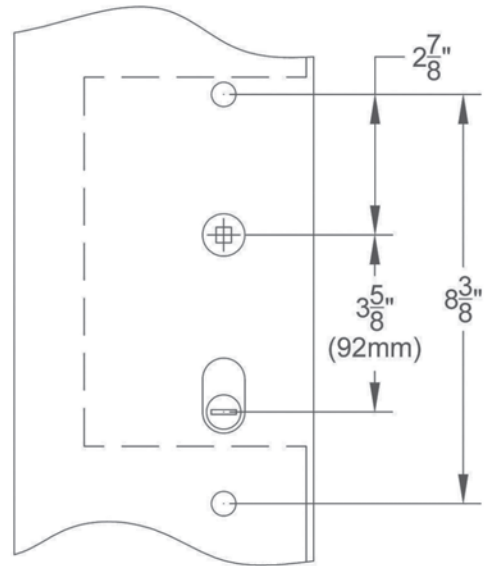
DOOR CONFIGURATION

#6

American Cylinder Hub Below Handle
3⁵/₈" Center-to-Center

ref. Milgard®, Pella®

Each Multi Point Lock Trim now includes the Spring Assist function which returns the lever to the neutral position and eliminates sagging handles.



Sandcast Arched
 1¹/₂" x 11" Non-Keyed
 Teton Levers



Sandcast Arched
 2" x 10" Keyed
 Durango Levers

SANDCAST BRONZE PLATES, ARCHED STYLE	Product Code	Lever Style (LH/RH)	Finish	List Price
Sets with 1¹/₂" x 11" Plates		<i>See Page 9 for Sandcast Bronze Lever Options.</i>	Flat Black Bronze (FB) Medium Bronze (MB) Tumbled White Bronze (TWB)	\$226.00
Keyed with American Cylinder (Schlage® Keyway standard, Weiser® Keyway optional, Rekeyable)	1611			
Non-Keyed Passage	1612			
Non-Keyed American Style Thumbturn Inside	1613			
Non-Keyed Fixed Handle Outside, Operating Handle Inside	1614			
Dummy Pair	1615			
Sets with 2" x 10" Plates				
Keyed with American Cylinder (Schlage® Keyway standard, Weiser® Keyway optional, Rekeyable)	1621			
Non-Keyed Passage	1622			
Non-Keyed American Style Thumbturn Inside	1623			
Non-Keyed Fixed Handle Outside, Operating Handle Inside	1624			
Dummy Pair	1625			

Handing Required

- Key codes may be specified. Fits standard door thickness of 1³/₄". Specify if thicker.
- Set includes plates, handles and cylinders (where applicable). Multi Point lock mechanism is not included.

Weiser®(WR5) Keyway

- Specify by adding "W" to the beginning of Product Code.
- No upcharge for cylinder substitution. Can be keyed into existing Weiser® system.



SANDCAST BRONZE PLATES, RECTANGULAR STYLE	Product Code	Lever Style (LH/RH)	Finish	List Price
Sets with 1 1/2" x 11" Plates		<i>See Page 9 for Sandcast Bronze Lever Options.</i>	Flat Black Bronze (FB) Medium Bronze (MB) Tumbled White Bronze (TWB)	\$226.00
Keyed with American Cylinder (Schlage® Keyway standard, Weiser® Keyway optional, Rekeyable)	1651			
Non-Keyed Passage	1652			
Non-Keyed American Style Thumbturn Inside	1653			
Non-Keyed Fixed Handle Outside, Operating Handle Inside	1654			
Dummy Pair	1655			
Sets with 2" x 10" Plates				
Keyed with American Cylinder (Schlage® Keyway standard, Weiser® Keyway optional, Rekeyable)	1661			
Non-Keyed Passage	1662			
Non-Keyed American Style Thumbturn Inside	1663			
Non-Keyed Fixed Handle Outside, Operating Handle Inside	1664			
Dummy Pair	1665			



LOST WAX CAST BRONZE PLATES, TUSCANY STYLE	Product Code	Lever Style (LH/RH)	Finish	List Price
Sets with 1 1/2" x 11" Plates		<i>See Page 9 for Lost Wax Cast Bronze Lever Options.</i>	Flat Black Bronze (FB) Medium Bronze (MB)	\$226.00
Keyed with American Cylinder (Schlage® Keyway standard, Weiser® Keyway optional, Rekeyable)	1631			
Non-Keyed Passage	1632			
Non-Keyed American Style Thumbturn Inside	1633			
Non-Keyed Fixed Handle Outside, Operating Handle Inside	1634			
Dummy Pair	1635			
Sets with 2" x 10" Plates				
Keyed with American Cylinder (Schlage® Keyway standard, Weiser® Keyway optional, Rekeyable)	1641			
Non-Keyed Passage	1642			
Non-Keyed American Style Thumbturn Inside	1643			
Non-Keyed Fixed Handle Outside, Operating Handle Inside	1644			
Dummy Pair	1645			

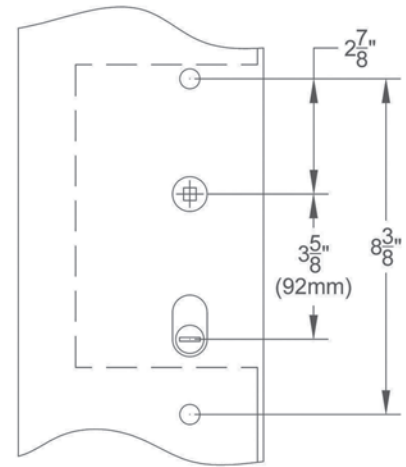
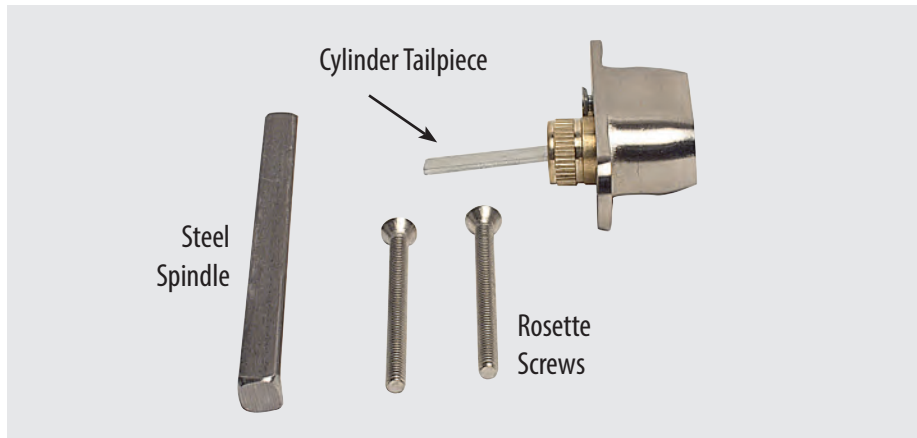
Handing Required

- Key codes may be specified. Fits standard door thickness of 1 3/4". Specify if thicker.
- Set includes plates, handles and cylinders (where applicable). Multi Point lock mechanism is not included.

Weiser® (WR5) Keyway

- Specify by adding "W" to the beginning of Product Code.
- No upcharge for cylinder substitution. Can be keyed into existing Weiser® system.

Door Configuration #6 American Cylinder Below Handle 3 5/8" Center-to-Center



Keyed Plates with American Cylinder Includes non-keyed thumbturn inside

Standard Door Thickness: from 1 5/8" to 2"

- Standard Components:
- Single Cylinder Tailpiece
 - 3 3/4" Steel Spindle
 - 2" Rosette Screws
 - 1 1/2" Rosette Screws for 1 5/8" thick door

Extended Door Thickness: Over 2" to 2 3/4"

- Extended Components:
- Long Single Cylinder Tailpiece
 - 4 1/2" Steel Spindle
 - 2 1/2" Rosette Screws
 - 2" Rosette Screws for 2" - 2 1/8" thick door

Non-Keyed Plates Includes non-keyed passage, fixed handle out/operating handle in, and dummy (uses screws only)

Standard Door Thickness: from 1 5/8" to 2"

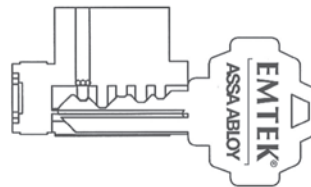
- Standard Components:
- Thumbturn Tailpiece
 - 3 3/4" Steel Spindle (half-spindle for fixed handle out/operating handle in)
 - 2" Rosette Screws
 - 1 1/2" Rosette Screws for 1 5/8" thick door

Extended Door Thickness: Over 2" to 2 3/4"

- Extended Components:
- Long Thumbturn Tailpiece
 - 4 1/2" Steel Spindle (half-spindle for fixed handle out/operating handle in)
 - 2 1/2" Rosette Screws
 - 2" Rosette Screws for 2" - 2 1/8" thick door

CONSTRUCTION KEYING

- Lost ball system.
- Last four pin locations drilled for lost ball application.
- Master key pins used for code variability.
- Construction keys and owner keys sent separately.
- Order by indicating "**Construction Keyed, House #_**" next to applicable locks.



- Construction devices used on one or more of last four positions.



- Dimples drilled in plug in this position.

Charge for Construction Keying - \$3.00 (NET)

- Locks that are both construction keyed and keyed alike in a house group will be charged a total of \$5.00 (NET) per cylinder.

Charge for Re-Keying - \$2.00 (NET) per Cylinder

- Locks that are keyed to code or keyed alike in a house group will be charged \$2.00 (NET) per cylinder.

Keying to Code

- Order by indicating "Key Code XXXXX" next to applicable locks.

Keying Alike

- Order by indicating "Keyed Alike" next to applicable locks if only one keyed alike group is wanted.
- If ordering multiple groups (houses) indicate "**Keyed Alike House #_**" next to applicable locks.

Set includes plates, handles and cylinders (where applicable). Multi Point lock mechanism is not included.
Milgard®, Pella®

Keyed with American Cylinder (for Active Door, Schlage® Keyway Standard, Weiser® Keyway Optional, Rekeyable)	
1 ½" x 11" Plates, Product Codes 1611, 1631, 1651, 1671, 16A1 	2" x 10" Plates, Product Codes 1621, 1641, 1661, 1681, 16B1
Non-Keyed, Passage (for Semi-Active Door)	
1 ½" x 11" Plates, Product Codes 1612, 1632, 1652, 1672, 16A2 	2" x 10" Plates, Product Codes 1622, 1642, 1662, 1682, 16B2
Non-Keyed, American Style Thumbturn Inside (for Active Door)	
1 ½" x 11" Plates, Product Codes 1613, 1633, 1653, 1673, 16A3 	2" x 10" Plates, Product Codes 1623, 1643, 1663, 1683, 16B3
Non-Keyed, Fixed Handle Outside, Operating Handle Inside (for Semi-Active Door)	
1 ½" x 11" Plates, Product Codes 1614, 1634, 1654, 1674, 16A4 	2" x 10" Plates, Product Codes 1624, 1644, 1664, 1684, 16B4
Dummy Pair (for Non-Active Door)	
1 ½" x 11" Plates, Product Codes 1615, 1635, 1655, 1675, 16A5 	2" x 10" Plates, Product Codes 1625, 1645, 1665, 1685, 16B5

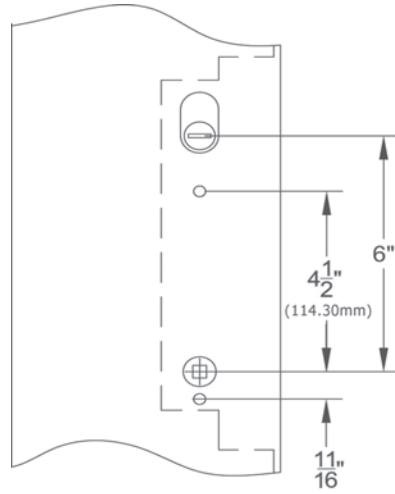
DOOR CONFIGURATION

#7

American Cylinder Hub Above Handle 6" Center-to-Center

ref. Trillanium® (formerly W&F Manufacturing)

Each Multi Point Lock Trim now includes the Spring Assist function which returns the lever to the neutral position and eliminates sagging handles.



Brass Modern
2" x 10" Keyed
Poseidon Levers



Brass Modern
2" x 10" Non-Keyed
Hercules Levers

BRASS PLATES, MODERN STYLE	Product Code	Lever Style (LH/RH)	Finish	List Price
Sets with 2" x 10" Plates		<i>See Page 8 for Brass & Modern Brass Lever Options.</i>	Satin Brass (US4) Oil Rubbed Bronze (US10B) Polished Nickel - Lifetime (US14) Satin Nickel (US15) Flat Black (US19) Polished Chrome (US26) Unlacquered Brass (US3NL)*	\$203.00
Keyed with American Cylinder (Schlage® Keyway standard, Weiser® Keyway optional, Rekeyable)	17B1			
Non-Keyed American Style T-Turn Inside (Patio Function)	17B3			
Dummy Pair	17B5			
Non-Keyed American Style T-Turn Inside, Fixed Handles	17B6			

***Unlacquered Brass (US3NL)**
finish available for a \$40 List Price upcharge per item.

Handing Required

- Key codes may be specified. Fits standard door thickness of 1¾". Specify if thicker.
- Set includes plates, handles and cylinders (where applicable). Multi Point lock mechanism is not included.

Weiser®(WR5) Keyway

- Specify by adding "W" to the beginning of Product Code.
- No upcharge for cylinder substitution. Can be keyed into existing Weiser® system.



Stainless Steel
2" x 10" Keyed
Stuttgart Levers



Stainless Steel
2" x 10" Non-Keyed
Hercules Levers

STAINLESS STEEL PLATES, MODERN STYLE		Product Code	Lever Style (LH/RH)	Finish	List Price
Sets with 2" x 10" Plates			<i>See Page 9 for Stainless Steel Lever Options.</i>	Stainless Steel (SS)	\$203.00
Keyed with American Cylinder (Schlage® Keyway standard, Weiser® Keyway optional, Rekeyable)	17B1				
Non-Keyed American Style T-Turn Inside (Patio Function)	17B3				
Dummy Pair	17B5				
Non-Keyed American Style T-Turn Inside, Fixed Handles	17B6				



Sandcast Rectangular
2" x 10" Keyed
Lariat Levers



Sandcast Rectangular
2" x 10" Non-Keyed
Lariat Levers

SANDCAST BRONZE PLATES, RECTANGULAR STYLE		Product Code	Lever Style (LH/RH)	Finish	List Price
Sets with 2" x 10" Plates			<i>See Page 9 for Sandcast Bronze Lever Options.</i>	Flat Black Bronze (FB) Medium Bronze (MB) Tumbled White Bronze (TWB)	\$226.00
Keyed with American Cylinder (Schlage® Keyway standard, Weiser® Keyway optional, Rekeyable)	1761				
Non-Keyed American Style T-Turn Inside (Patio Function)	1763				
Dummy Pair	1765				
Non-Keyed American Style T-Turn Inside, Fixed Handles	1766				



Sandcast Arched
2" x 10" Keyed
Montrose Levers



Sandcast Arched
2" x 10" Non-Keyed
Cody Levers

SANDCAST BRONZE PLATES, ARCHED STYLE		Product Code	Lever Style (LH/RH)	Finish	List Price
Sets with 2" x 10" Plates			<i>See Page 9 for Sandcast Bronze Lever Options.</i>	Flat Black Bronze (FB) Medium Bronze (MB) Tumbled White Bronze (TWB)	\$226.00
Keyed with American Cylinder (Schlage® Keyway standard, Weiser® Keyway optional, Rekeyable)	1721				
Non-Keyed American Style T-Turn Inside (Patio Function)	1723				
Dummy Pair	1725				
Non-Keyed American Style T-Turn Inside, Fixed Handles	1726				

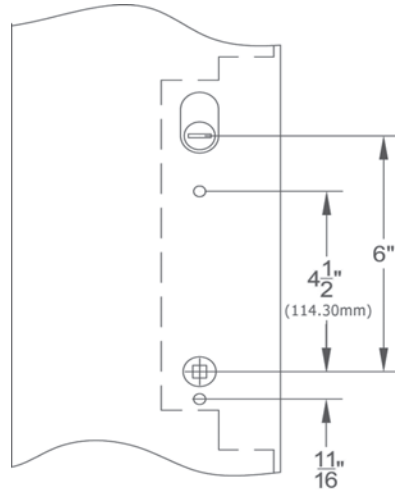
DOOR CONFIGURATION

#7

American Cylinder Hub Above Handle 6" Center-to-Center

ref. Trillanium® (formerly W&F Manufacturing)

Each Multi Point Lock Trim now includes the Spring Assist function which returns the lever to the neutral position and eliminates sagging handles.



Bronze Tuscany
2" x 10" Keyed
Padua Levers



Bronze Tuscany
2" x 10" Non-Keyed
Napoli Levers

LOST WAX CAST BRONZE PLATES, TUSCANY STYLE	Product Code	Lever Style (LH/RH)	Finish	List Price
Sets with 2" x 10" Plates		<i>See Page 9 for Lost Wax Cast Bronze Lever Options.</i>	Flat Black Bronze (FB) Medium Bronze (MB)	\$226.00
Keyed with American Cylinder (Schlage® Keyway standard, Weiser® Keyway optional, Rekeyable)	1741			
Non-Keyed American Style T-Turn Inside (Patio Function)	1743			
Dummy Pair	1745			
Non-Keyed American Style T-Turn Inside, Fixed Handles	1746			

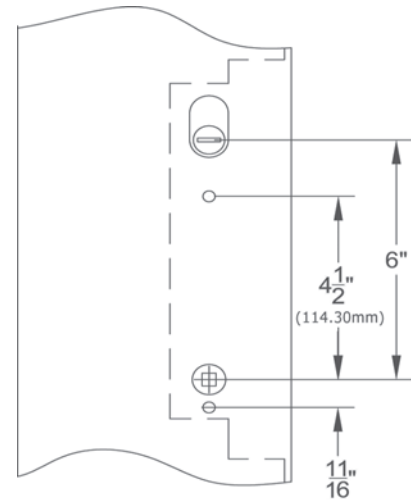
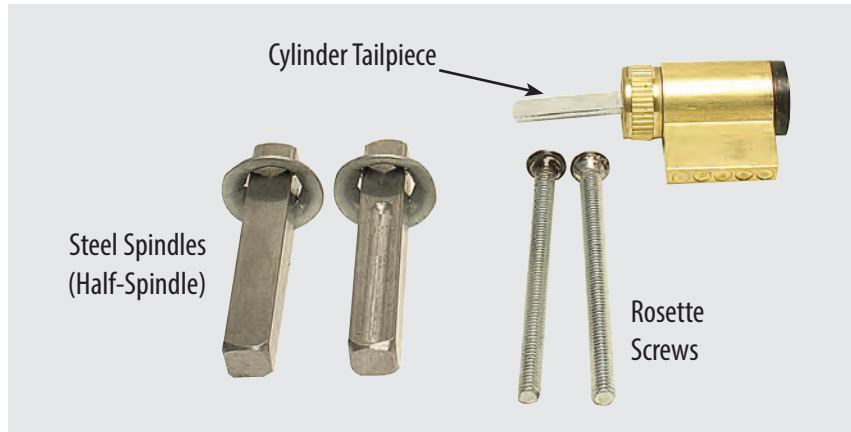
Handing Required

- Key codes may be specified. Fits standard door thickness of 1¾". Specify if thicker.
- Set includes plates, handles and cylinders (where applicable). Multi Point lock mechanism is not included.

Weiser®(WR5) Keyway

- Specify by adding "W" to the beginning of Product Code.
- No upcharge for cylinder substitution. Can be keyed into existing Weiser® system.

Door Configuration #7 American Cylinder Above Handle 6" Center-to-Center



Keyed Plates with American Cylinder Includes non-keyed thumbturn inside

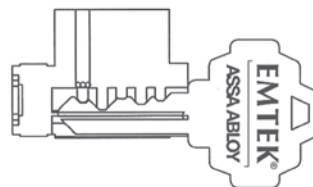
Standard Door Thickness: from 1 5/8" to 2"	Extended Door Thickness: Over 2" to 2 3/4"
<p>Standard Components:</p> <ul style="list-style-type: none"> • Single Cylinder Tailpiece • 2" Steel Spindles (Half-spindle) • 2" Rosette Screws for 1 5/8" - 1 3/4" thick door • 2 1/2" Rosette Screws for 1 3/4" - 2" thick door 	<p>Extended Components:</p> <ul style="list-style-type: none"> • Long Single Cylinder Tailpiece • 2" Steel Spindles (Half-spindle) • 2 1/2" Rosette Screws 2" - 2 1/4" thick door • 3" Rosette Screws for 2 1/4" - 2 3/4" thick door

Non-Keyed Plates Includes non-keyed passage, fixed handle out/operating handle in, & dummy (uses screws only)

Standard Door Thickness: from 1 5/8" to 2"	Extended Door Thickness: Over 2" to 2 3/4"
<p>Standard Components:</p> <ul style="list-style-type: none"> • Thumbturn Tailpiece • 2" Steel Spindles (Half-spindle. No spindle for fixed handles) • 2" Rosette Screws for 1 5/8" - 1 3/4" thick door • 2 1/2" Rosette Screws for 1 3/4" - 2" thick door 	<p>Extended Components:</p> <ul style="list-style-type: none"> • Long Thumbturn Tailpiece • 2" Steel Spindles (Half-spindle. No spindle for fixed handles) • 2 1/2" Rosette Screws 2" - 2 1/4" thick door • 3" Rosette Screws for 2 1/4" - 2 3/4" thick door

CONSTRUCTION KEYING

- Lost ball system.
- Last four pin locations drilled for lost ball application.
- Master key pins used for code variability.
- Construction keys and owner keys sent separately.
- Order by indicating **"Construction Keyed, House #_"** next to applicable locks.



- Construction devices used on one or more of last four positions.



- Dimples drilled in plug in this position.

<p>Charge for Construction Keying - \$3.00 (NET)</p>
<ul style="list-style-type: none"> • Locks that are both construction keyed and keyed alike in a house group will be charged a total of \$5.00 (NET) per cylinder.

<p>Charge for Re-Keying - \$2.00 (NET) per Cylinder</p>
<ul style="list-style-type: none"> • Locks that are keyed to code or keyed alike in a house group will be charged \$2.00 (NET) per cylinder.

<p>Keying to Code</p>
<ul style="list-style-type: none"> • Order by indicating "Key Code XXXXX" next to applicable locks.

<p>Keying Alike</p>
<ul style="list-style-type: none"> • Order by indicating "Keyed Alike" next to applicable locks if only one keyed alike group is wanted. • If ordering multiple groups (houses) indicate "Keyed Alike House #_" next to applicable locks.

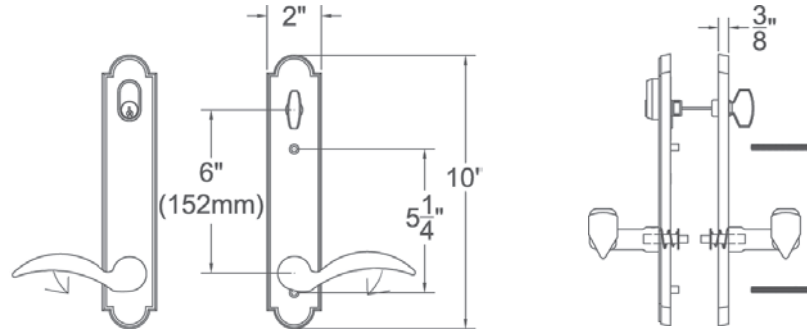
DOOR CONFIGURATION #7 Specification Sheet for Components and Door Thickness

Set includes plates, handles and cylinders (where applicable). Multi Point lock mechanism is not included.

Trillanium® (formerly W&F Manufacturing)

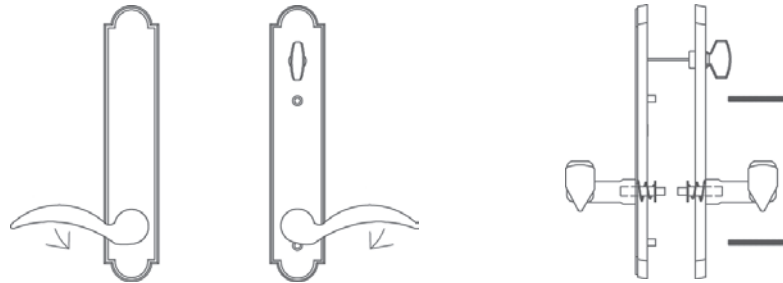
Keyed with American Cylinder (for Active Door, Schlage® Keyway Standard, Weiser® Keyway Optional, Rekeyable)

2" x 10" Plates, Product Codes 1721, 1741, 1761, 17B1



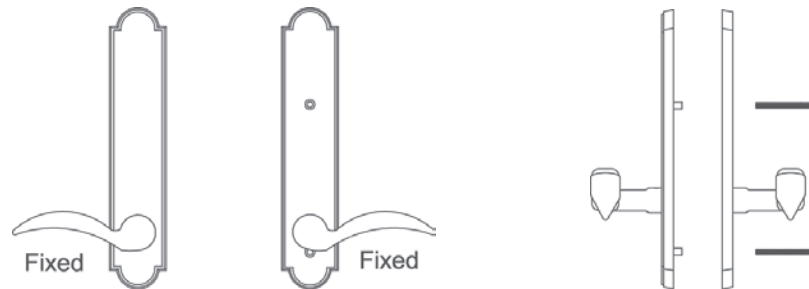
Non-Keyed, American Style T-Turn Inside (Active Door)

2" x 10" Plates, Product Codes 1723, 1743, 1763, 17B3



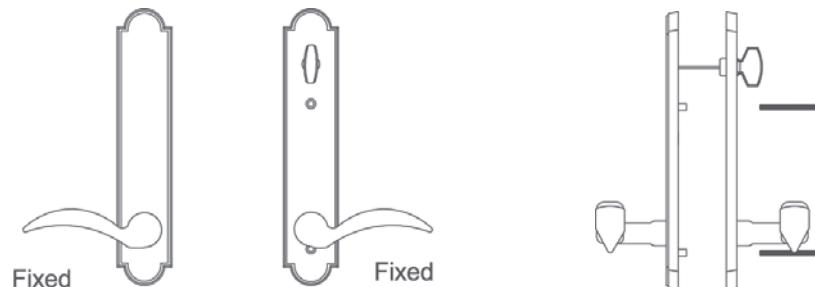
Dummy Pair (for Non-Active Door)

2" x 10" Plates, Product Codes 1725, 1745, 1765, 17B5



Non-Keyed, Fixed Handles, American Style T-Turn Inside (for Semi-Active Door)

2" x 10" Plates, Product Codes 1726, 1746, 1766, 17B6



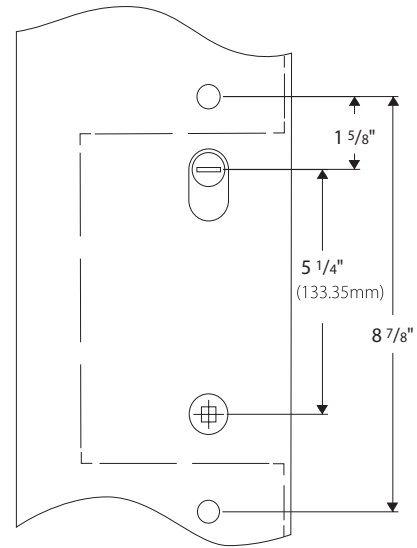
DOOR CONFIGURATION

#8

American Cylinder Hub Above Handle 5 1/4" Center to Center

ref. Neuma Doors®

Each Multi Point Lock Trim now includes the Spring Assist function which returns the lever to the neutral position and eliminates sagging handles.



Stainless Steel
1 1/2" x 11" Non-Keyed
Athena Levers



Stainless Steel
2" x 10" Keyed
Dresden Levers

STAINLESS STEEL PLATES, MODERN STYLE	Product Code	Lever Style (LH/RH)	Finish	List Price
Sets with 1 1/2" x 11" Plates		<i>See Page 9 for Stainless Steel Lever Options.</i>	Stainless Steel (SS)	\$203.00
Keyed with American Cylinder (Schlage® Keyway standard, Weiser® Keyway optional, Rekeyable)	18A1			
Non-Keyed Passage	18A2			
Non-Keyed American Style Thumbturn Inside	18A3			
Non-Keyed Fixed Handle Outside, Operating Handle Inside	18A4			
Sets with 2" x 10" Plates				
Keyed with American Cylinder (Schlage® Keyway standard, Weiser® Keyway optional, Rekeyable)	18B1			
Non-Keyed Passage	18B2			
Non-Keyed American Style Thumbturn Inside	18B3			
Non-Keyed Fixed Handle Outside, Operating Handle Inside	18B4			

Handing Required

- Key codes may be specified. Fits standard door thickness of 1 3/4". Specify if thicker.
- Set includes plates, handles and cylinders (where applicable). Multi Point lock mechanism is not included.

Weiser® (WR5) Keyway

- Specify by adding "W" to the beginning of Product Code.
- No upcharge for cylinder substitution. Can be keyed into existing Weiser® system.

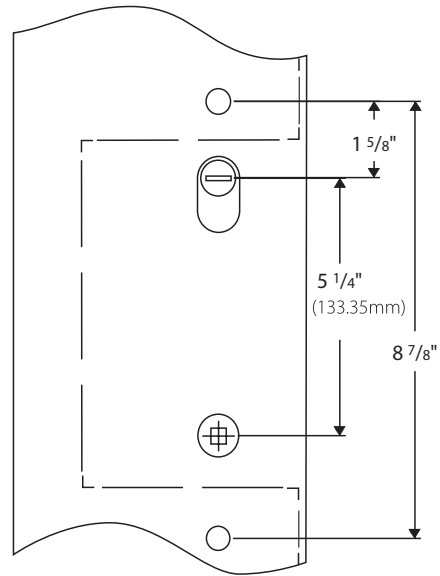
DOOR CONFIGURATION

#8

American Cylinder Hub Above Handle 5 1/4" Center to Center

ref. Neuma Doors®

Each Multi Point Lock Trim now includes the Spring Assist function which returns the lever to the neutral position and eliminates sagging handles.



Sandcast Rectangular
1 1/2" x 11" Non-Keyed
Lariat Levers



Sandcast Rectangular
2" x 10" Keyed
Teton Levers

SANDCAST BRONZE PLATES, RECTANGULAR STYLE	Product Code	Lever Style (LH/RH)	Finish	List Price
Sets with 1 1/2" x 11" Plates		<i>See Page 9 for Sandcast Bronze Lever Options.</i>	Flat Black Bronze (FB) Medium Bronze (MB) Tumbled White Bronze (TWB)	\$226.00
Keyed with American Cylinder (Schlage® Keyway standard, Weiser® Keyway optional, Rekeyable)	1851			
Non-Keyed Passage	1852			
Non-Keyed American Style Thumbturn Inside	1853			
Non-Keyed Fixed Handle Outside, Operating Handle Inside	1854			
Sets with 2" x 10" Plates				
Keyed with American Cylinder (Schlage® Keyway standard, Weiser® Keyway optional, Rekeyable)	1861			
Non-Keyed Passage	1862			
Non-Keyed American Style Thumbturn Inside	1863			
Non-Keyed Fixed Handle Outside, Operating Handle Inside	1864			

Handing Required

- Key codes may be specified. Fits standard door thickness of 1 3/4". Specify if thicker.
- Set includes plates, handles and cylinders (where applicable). Multi Point lock mechanism is not included.

Weiser®(WR5) Keyway

- Specify by adding "W" to the beginning of Product Code.
- No upcharge for cylinder substitution. Can be keyed into existing Weiser® system.



Sandcast Arched
1 1/2" x 11" Non-Keyed
Cimarron Levers



Sandcast Arched
2" x 10" Keyed
Durango Levers

SANCAST BRONZE PLATES, ARCHED STYLE	Product Code	Lever Style (LH/RH)	Finish	List Price
Sets with 1 1/2" x 11" Plates	1811	<i>See Page 9 for Sandcast Bronze Lever Options.</i>	Flat Black Bronze (FB) Medium Bronze (MB) Tumbled White Bronze (TWB)	\$226.00
Keyed with American Cylinder (Schlage® Keyway standard, Weiser® Keyway optional, Rekeyable)				
Non-Keyed Passage				
Non-Keyed American Style Thumbturn Inside				
Non-Keyed Fixed Handle Outside, Operating Handle Inside				
Sets with 2" x 10" Plates	1821			
Keyed with American Cylinder (Schlage® Keyway standard, Weiser® Keyway optional, Rekeyable)				
Non-Keyed Passage				
Non-Keyed American Style Thumbturn Inside				
Non-Keyed Fixed Handle Outside, Operating Handle Inside	1824			



Bronze Tuscany
1 1/2" x 11" Non-Keyed
Octagon Levers



Bronze Tuscany
2" x 10" Keyed
Medici Levers

LOST WAX CAST BRONZE PLATES, TUSCANY STYLE	Product Code	Lever Style (LH/RH)	Finish	List Price
Sets with 1 1/2" x 11" Plates	1831	<i>See Page 9 for Lost Wax Cast Bronze Lever Options.</i>	Flat Black Bronze (FB) Medium Bronze (MB)	\$226.00
Keyed with American Cylinder (Schlage® Keyway standard, Weiser® Keyway optional, Rekeyable)				
Non-Keyed Passage				
Non-Keyed American Style Thumbturn Inside				
Non-Keyed Fixed Handle Outside, Operating Handle Inside	1834			
Sets with 2" x 10" Plates	1841			
Keyed with American Cylinder (Schlage® Keyway standard, Weiser® Keyway optional, Rekeyable)				
Non-Keyed Passage				
Non-Keyed American Style Thumbturn Inside				
Non-Keyed Fixed Handle Outside, Operating Handle Inside	1844			

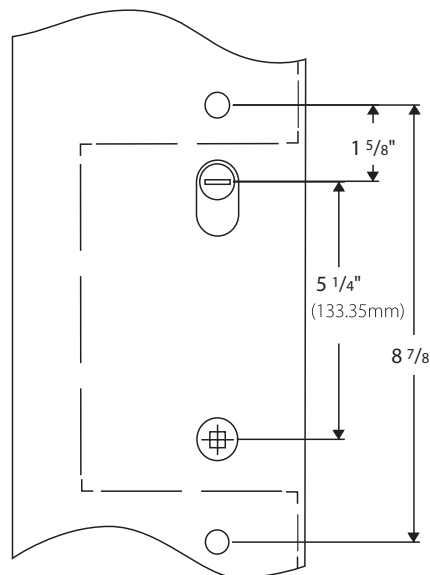
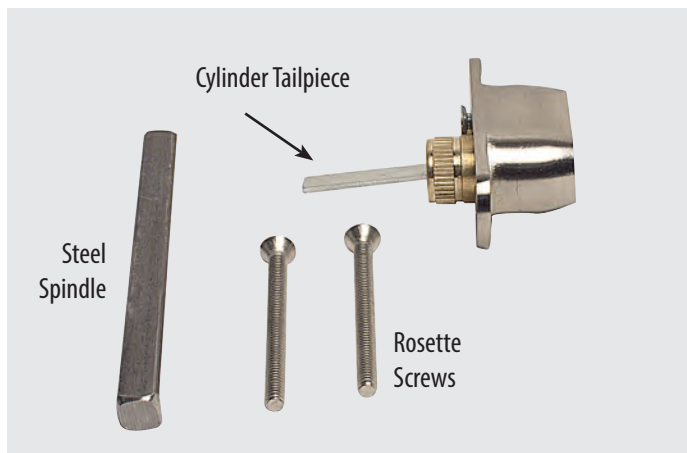
Handing Required

- Key codes may be specified. Fits standard door thickness of 1 3/4". Specify if thicker.
- Set includes plates, handles and cylinders (where applicable). Multi Point lock mechanism is not included.

Weiser® (WR5) Keyway

- Specify by adding "W" to the beginning of Product Code.
- No upcharge for cylinder substitution. Can be keyed into existing Weiser® system.

Door Configuration #8 American Cylinder Above Handle 5 1/4" Center to Center



Keyed Plates with American Cylinder Includes non-keyed thumbturn inside

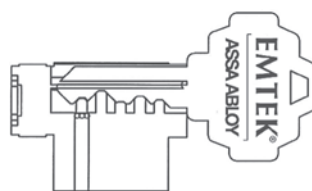
Standard Door Thickness: 1 3/4"
Standard Components: <ul style="list-style-type: none"> • Single Cylinder Tailpiece • 3 3/4" Steel Spindle • 1 1/2" Rosette Screws

Non-Keyed Plates Includes non-keyed passage, fixed handle out/operating handle in

Standard Door Thickness: 1 3/4"
Standard Components: <ul style="list-style-type: none"> • Thumbturn Tailpiece • 3 3/4" Steel Spindle (half-spindle for fixed handle out/operating handle in) • 1 1/2" Rosette Screws

CONSTRUCTION KEYING

- Lost ball system.
- Last four pin locations drilled for lost ball application.
- Master key pins used for code variability.
- Construction keys and owner keys sent separately.
- Order by indicating "**Construction Keyed, House #_**" next to applicable locks.



Construction devices used on one or more of last four positions.



Dimples drilled in plug in this position.

Charge for Construction Keying - \$3.00 (NET)
• Locks that are both construction keyed and keyed alike in a house group will be charged a total of \$5.00 (NET) per cylinder.

Charge for Re-Keying - \$2.00 (NET) per Cylinder
• Locks that are keyed to code or keyed alike in a house group will be charged \$2.00 (NET) per cylinder.

Keying to Code
• Order by indicating "Key Code XXXXX" next to applicable locks.

Keying Alike
<ul style="list-style-type: none"> • Order by indicating "Keyed Alike" next to applicable locks if only one keyed alike group is wanted. • If ordering multiple groups (houses) indicate "Keyed Alike House #_" next to applicable locks.

Set includes plates, handles and cylinders (where applicable). Multi Point lock mechanism is not included.

Neuma Doors®

Keyed with American Cylinder (for Active Door, Schlage® Keyway Standard, Weiser® Keyway Optional, Rekeyable)	
<p>1 ½" x 11" Plates, Product Codes 1811, 1831, 1851, 18A1</p>	<p>2" x 10" Plates, Product Codes 1821, 1841, 1861, 18B1</p>
Non-Keyed, Passage (for Semi-Active Door)	
<p>1 ½" x 11" Plates, Product Codes 1812, 1832, 1852, 18A2</p>	<p>2" x 10" Plates, Product Codes 1822, 1842, 1862, 18B2</p>
Non-Keyed, American Style Thumbturn Inside (for Active Door)	
<p>1 ½" x 11" Plates, Product Codes 1813, 1833, 1853, 18A3</p>	<p>2" x 10" Plates, Product Codes 1823, 1843, 1863, 18B3</p>
Non-Keyed, Fixed Handle Outside, Operating Handle Inside (for Semi-Active Door)	
<p>1 ½" x 11" Plates, Product Codes 1814, 1834, 1854, 18A4</p> <p>Fixed</p>	<p>2" x 10" Plates, Product Codes 1824, 1844, 1864, 18B4</p> <p>Fixed</p>

PRODUCT INDEX

PRODUCT CODE	PAGE	PRODUCT CODE	PAGE	PRODUCT CODE	PAGE	PRODUCT CODE	PAGE	PRODUCT CODE	PAGE	PRODUCT CODE	PAGE
1111	24	1253	31	1415	42	1562	49	1761	59	14A5	41
1112	24	1254	31	1421	42	1563	49	1763	59	14B1	41
1113	24	1255	31	1422	42	1564	49	1765	59	14B2	41
1114	24	1261	31	1423	42	1565	49	1766	59	14B3	41
1115	24	1262	31	1424	42	1571	46	1811	65	14B4	41
1121	24	1263	31	1425	42	1572	46	1812	65	14B5	41
1122	24	1264	31	1431	43	1573	46	1813	65	15A1	47
1123	24	1265	31	1432	43	1574	46	1814	65	15A2	47
1124	24	1271	28	1433	43	1575	46	1821	65	15A3	47
1125	24	1272	28	1434	43	1581	46	1822	65	15A4	47
1131	25	1273	28	1435	43	1582	46	1823	65	15A5	47
1132	25	1274	28	1441	43	1583	46	1824	65	15B1	47
1133	25	1275	28	1442	43	1584	46	1831	65	15B2	47
1134	25	1281	28	1443	43	1585	46	1832	65	15B3	47
1135	25	1282	28	1444	43	1611	54	1833	65	15B4	47
1141	25	1283	28	1445	43	1612	54	1834	65	15B5	47
1142	25	1284	28	1451	43	1613	54	1841	65	16A1	53
1143	25	1285	28	1452	43	1614	54	1842	65	16A2	53
1144	25	1311	36	1453	43	1615	54	1843	65	16A3	53
1145	25	1312	36	1454	43	1621	54	1844	65	16A4	53
1151	25	1313	36	1455	43	1622	54	1851	64	16A5	53
1152	25	1314	36	1461	43	1623	54	1852	64	16B1	53
1153	25	1315	36	1462	43	1624	54	1853	64	16B2	53
1154	25	1321	36	1463	43	1625	54	1854	64	16B3	53
1155	25	1322	36	1464	43	1631	55	1861	64	16B4	53
1161	25	1323	36	1465	43	1632	55	1862	64	16B5	53
1162	25	1324	36	1471	40	1633	55	1863	64	17B1	58,59
1163	25	1325	36	1472	40	1634	55	1864	64	17B3	58,59
1164	25	1331	37	1473	40	1635	55	11A1	23	17B5	58,59
1165	25	1332	37	1474	40	1641	55	11A2	23	17B6	58,59
1171	22	1333	37	1475	40	1642	55	11A3	23	18A1	63
1172	22	1334	37	1481	40	1643	55	11A4	23	18A2	63
1173	22	1335	37	1482	40	1644	55	11A5	23	18A3	63
1174	22	1341	37	1483	40	1645	55	11B1	23	18A4	63
1175	22	1342	37	1484	40	1651	55	11B2	23	18B1	63
1181	22	1343	37	1485	40	1652	55	11B3	23	18B2	63
1182	22	1344	37	1511	48	1653	55	11B4	23	18B3	63
1183	22	1345	37	1512	48	1654	55	11B5	23	18B4	63
1184	22	1351	37	1513	48	1655	55	12A1	29	1LA1	16
1185	22	1352	37	1514	48	1661	55	12A2	29	1LA2	16
1211	30	1353	37	1515	48	1662	55	12A3	29	1LA3	16
1212	30	1354	37	1521	48	1663	55	12A4	29	1LA4	16
1213	30	1355	37	1522	48	1664	55	12A5	29	1LM1	15
1214	30	1361	37	1523	48	1665	55	12B1	29	1LM2	15
1215	30	1362	37	1524	48	1671	52	12B2	29	1LM3	15
1221	30	1363	37	1525	48	1672	52	12B3	29	1LM4	15
1222	30	1364	37	1531	49	1673	52	12B4	29	1LR1	14
1223	30	1365	37	1532	49	1674	52	12B5	29	1LR2	14
1224	30	1371	34	1533	49	1675	52	13A1	35	1LR3	14
1225	30	1372	34	1534	49	1681	52	13A2	35	1LR4	14
1231	31	1373	34	1535	49	1682	52	13A3	35	2LA1	20
1232	31	1374	34	1541	49	1683	52	13A4	35	2LA2	20
1233	31	1375	34	1542	49	1684	52	13A5	35	2LM1	19
1234	31	1381	34	1543	49	1685	52	13B1	35	2LM2	19
1235	31	1382	34	1544	49	1721	59	13B2	35	2LR1	18
1241	31	1383	34	1545	49	1723	59	13B3	35	2LR2	18
1242	31	1384	34	1551	49	1725	59	13B4	35		
1243	31	1385	34	1552	49	1726	59	13B5	35		
1244	31	1411	42	1553	49	1741	60	14A1	41		
1245	31	1412	42	1554	49	1743	60	14A2	41		
1251	31	1413	42	1555	49	1745	60	14A3	41		
1252	31	1414	42	1561	49	1746	60	14A4	41		

Door Manufacturers listed under each configuration are for reference only and are subject to change. Some retrofitting may be necessary. Please carefully measure and identify your hardware using the diagrams and steps listed on pages 2, 3 and 4.

G-U® is a registered trademark of G-U Hardware, Inc. Paddock™ is a registered trademark of Yale® UK. Pella® is a registered trademark of Pella Corporation. Sierra Pacific Windows® is a registered trademark of Sierra Pacific Industries. Superior® is a registered trademark of Superior Engineered Products Corporation. Willmar® is a registered trademark of JELD-WEN of Canada Ltd. Andersen® is a registered trademark of Andersen Corporation. Trillenium® is a registered trademark of Endura Products, Inc. Eagle® is a registered trademark of Eagle Window and Door, Inc. BiltBest® is a registered trademark of BiltBest Windows and Patio Doors. Ashland® is a registered trademark of Ashland Products, Inc. Caradco®, JELD-WEN, Norco® and Pozzi® are registered trademarks of JELD-WEN Inc., Oregon, USA. Integrity® and Marvin® are registered trademarks of Marvin Windows and Doors. Milgard® is a registered trademark of Milgard Windows, Inc. Therma-Tru® is a registered trademark of Therma-Tru Doors®. HOPPE® is a registered trademark of HOPPE North America, Inc. Hurd® is a registered trademark of Hurd Millwork Company. Kolbe & Kolbe® is a registered trademark of Kolbe & Kolbe Millwork Company, Inc. Lincoln® is a registered trademark of Lincoln Wood Products, Inc. Loewen® is a registered trademark of Loewen Windows. PGT® is a registered trademark of PGT Industries. Peachtree® and Vetter® are registered trademark of The Peachtree Companies, Inc. Semco® is a registered trademark of Semling-Menke Co. Inc. Weathershield® is a registered trademark of Weathershield Mfg. Inc. KML by Andersen® is a registered trademark of KML by Andersen. Atrium® is a registered trademark of Atrium. KFV® is a registered trademark of KFV. Simpson® is a registered trademark of Simpson. Signature® is a registered trademark of Signature. Crestline® is a registered trademark of Crestline. Windsor® is a registered trademark of Windsor. Neuma Doors® is a registered trademark of Nan Ya Plastics Corporation. With the exception of Paddock™, none of the aforementioned companies are affiliated with Emtek Products, Inc.

LIFETIME LIMITED WARRANTY

Subject to the terms and conditions of this warranty, Emtek Products, Inc. ("Company") extends a lifetime limited warranty* to the original consumer user ("Original User") of our product ("Product") against defects in material and workmanship, as long as the Original User occupies the residential premises upon which the Product was originally installed.

**Electronic components warranted TWO (2) YEARS*

This warranty only applies to the Original User of the Products. This warranty is not transferable. This warranty applies to all products sold on or after April 2, 2012.

Original User: The Original User will return the defective Product to the retailer from whom it was purchased, accompanied by a statement of defects and proof of purchase.

What Emtek will do: Upon return of the defective Product to Emtek for inspection, free and clear of all liens and encumbrances and accompanied by the statement of defects and proof of purchase, Emtek's sole obligation, at its option, is to either repair or replace the Product, or refund the original retailer purchase price in exchange for the Product.

THE COMPANY MAKES NO OTHER WARRANTY OTHER THAN AS EXPRESSLY STATED HEREIN, AND ALL IMPLIED WARRANTIES, INCLUDING ANY WARRANTY OF MERCHANTABILITY OR FITNESS FOR A PARTICULAR PURPOSE, ARE HEREBY EXCLUDED.

THE COMPANY'S MAXIMUM LIABILITY HEREUNDER IS LIMITED TO THE PURCHASE PRICE OF THE PRODUCT. IN NO EVENT SHALL THE COMPANY BE LIABLE FOR ANY CONSEQUENTIAL, INDIRECT, INCIDENTAL OR SPECIAL AND/OR PUNITIVE DAMAGES OF ANY NATURE ARISING FROM THE SALE OR USE OF THE PRODUCT, WHETHER BASED ON CONTRACT, WARRANTY, TORT, STRICT LIABILITY, PATENT INFRINGEMENT, OR OTHERWISE, EVEN IF ADVISED OF THE POSSIBILITY OF SUCH DAMAGES. Some local laws do not allow the exclusion or limitation of incidental or consequential damages, so the above exclusion or limitation may not apply to you. This warranty gives specific legal rights and a buyer may also have other rights which may vary from state to state.

WHAT IS NOT COVERED: THE FOLLOWING COSTS, EXPENSES AND DAMAGES ARE NOT COVERED BY THE PROVISIONS OF THIS LIMITED WARRANTY: (I) LABOR COSTS INCLUDING, BUT NOT LIMITED TO, SUCH COSTS AS THE REMOVAL AND RE-INSTALLATION OF PRODUCT; AND (II) SHIPPING AND FREIGHT EXPENSES REQUIRED TO RETURN PRODUCT TO EMTEK.

THE PROVISIONS OF THIS WARRANTY DO NOT APPLY TO PRODUCTS: (I) USED IN COMMERCIAL APPLICATIONS; (II) USED IN COMMON AREA APPLICATIONS; (III) USED FOR PURPOSES FOR WHICH THEY ARE NOT DESIGNED OR INTENDED; (IV) WHICH HAVE BEEN SUBJECTED TO ALTERATION, ABUSE, MISUSE, NEGLIGENCE OR ACCIDENT; (V) WHICH HAVE BEEN IMPROPERLY STORED, INSTALLED, MAINTAINED OR OPERATED; (VI) WHICH HAVE BEEN USED IN VIOLATION OF WRITTEN INSTRUCTIONS PROVIDED BY EMTEK; (VII) WHICH HAVE BEEN SUBJECTED TO IMPROPER TEMPERATURE, HUMIDITY OR OTHER ENVIRONMENTAL CONDITIONS; OR (VIII) WHICH, BASED ON EMTEK'S EXAMINATION, DO NOT DISCLOSE TO EMTEK'S SATISFACTION NON-CONFORMANCE TO THE WARRANTY. Additionally, this warranty DOES NOT COVER scratches, abrasions, or deterioration due to the use of paints, solvents or other chemicals.

Finish Warranty: Polished Brass-Lifetime and Polished Nickel-Lifetime finishes carry a lifetime limited finish warranty. There is no finish warranty on Deep Burgundy, Flat Black Patina, Medium Bronze Patina, Polished White Bronze, Rust, Silver Patina, Tumbled White Bronze, and Unlacquered Brass finishes. All other finishes carry a five year finish warranty.

Warranty claims: Please contact the retailer from whom the defective product was purchased. If assistance is needed, please contact Emtek Customer Service at:

EMTEK Products, Inc.
15250 E. Stafford Street
City of Industry, CA 91744
Tel: (626) 961-0413

ASSA ABLOY is the global leader in door opening solutions, dedicated to satisfying end-user needs for security, safety and convenience

EMTEK[®]
ASSA ABLOY

EMTEK Products, Inc.
15250 E. Stafford Street
City of Industry • CA 91744
Tel: 800-356-2741 • 626-961-0413
Fax: 800-577-5771 • 626-336-2812
emtek.com

